

harman/kardon

# Model CDR20

## Dual Tray CD/CD-R/CD-RW Recorder/Player

### SERVICE MANUAL



### CONTENTS

SERVICING PRECAUTIONS . . . . .	2	BULLETIN HK2001-04.....	16
ESD PRECAUTIONS.....	4	BULLETIN HK2001-06.....	17
SPECIFICATIONS . . . . .	5	DETAILED TROUBLESHOOTING GUIDE .....	19
FRONT PANEL CONTROLS .....	6	BLOCK DIAGRAMS . . . . .	36
FRONT PANEL DISPLAY .....	8	EXPLODED VIEWS . . . . .	39
REAR PANEL CONNECTIONS. . . . .	10	MECHANICAL PARTS LIST.....	42
REMOTE CONTROL FUNCTIONS. . . . .	11	ELECTRICAL PARTS LIST . . . . .	44
INSTALLATION/CONNECTIONS. ....	13	PCB DRAWINGS. . . . .	65
BASIC TROUBLESHOOTING GUIDE.....	14	SCHEMATIC DIAGRAMS . . . . .	71
SPECIAL NOTES ON CDR20 RECORDING... 15		WIRING DIAGRAM.....	85

harman/kardon, Inc.  
250 Crossways Park Dr.  
Woodbury, New York 11797

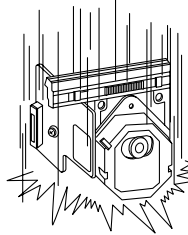
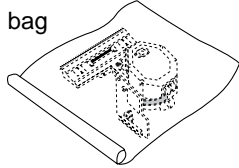
# SERVICING PRECAUTIONS

## NOTES REGARDING HANDLING OF THE PICK-UP

### 1. Notes for transport and storage

- 1) The pick-up should always be left in its conductive bag until immediately prior to use.
- 2) The pick-up should never be subjected to external pressure or impact.

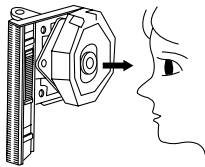
Storage in conductive bag



Drop impact

### 2. Repair notes

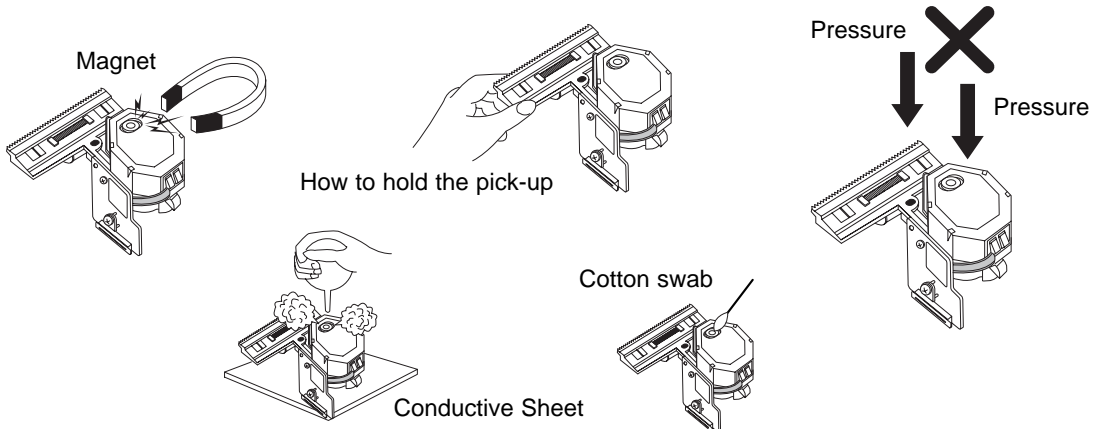
- 1) The pick-up incorporates a strong magnet, and so should never be brought close to magnetic materials.
- 2) The pick-up should always be handled correctly and carefully, taking care to avoid external pressure and impact. If it is subjected to strong pressure or impact, the result may be an operational malfunction and/or damage to the printed-circuit board.
- 3) Each and every pick-up is already individually adjusted to a high degree of precision, and for that reason the adjustment point and installation screws should absolutely never be touched.
- 4) Laser beams may damage the eyes!  
 Absolutely never permit laser beams to enter the eyes!  
 Also NEVER switch ON the power to the laser output part (lens, etc.) of the pick-up if it is damaged.



NEVER look directly at the laser beam, and don't let contact fingers or other exposed skin.

### 5) Cleaning the lens surface

If there is dust on the lens surface, the dust should be cleaned away by using an air bush (such as used for camera lens). The lens is held by a delicate spring. When cleaning the lens surface, therefore, a cotton swab should be used, taking care not to distort this.



### 6) Never attempt to disassemble the pick-up.

Spring by excess pressure. If the lens is extremely dirty, apply isopropyl alcohol to the cotton swab. (Do not use any other liquid cleaners, because they will damage the lens.) Take care not to use too much of this alcohol on the swab, and do not allow the alcohol to get inside the pick-up.

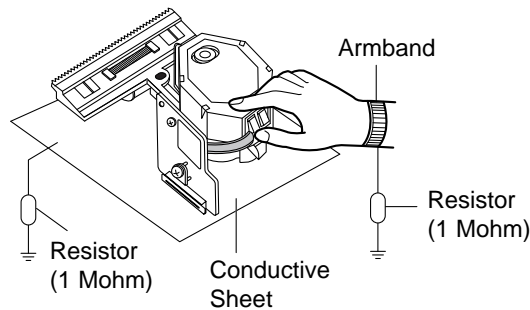
# NOTES REGARDING COMPACT DISC PLAYER REPAIRS

## 1. Preparations

- 1) Compact disc players incorporate a great many ICs as well as the pick-up (laser diode). These components are sensitive to, and easily affected by, static electricity. If such static electricity is high voltage, components can be damaged, and for that reason components should be handled with care.
- 2) The pick-up is composed of many optical components and other high-precision components. Care must be taken, therefore, to avoid repair or storage where the temperature of humidity is high, where strong magnetism is present, or where there is excessive dust.

## 2. Notes for repair

- 1) Before replacing a component part, first disconnect the power supply lead wire from the unit
- 2) All equipment, measuring instruments and tools must be grounded.
- 3) The workbench should be covered with a conductive sheet and grounded.  
When removing the laser pick-up from its conductive bag, do not place the pick-up on the bag. (This is because there is the possibility of damage by static electricity.)
- 4) To prevent AC leakage, the metal part of the soldering iron should be grounded.
- 5) Workers should be grounded by an armband (1M $\Omega$ )
- 6) Care should be taken not to permit the laser pick-up to come in contact with clothing, in order to prevent static electricity changes in the clothing to escape from the armband.
- 7) The laser beam from the pick-up should NEVER be directly facing the eyes or bare skin.



# ESD PRECAUTIONS

## Electrostatically Sensitive Devices (ESD)

Some semiconductor (solid state) devices can be damaged easily by static electricity. Such components commonly are called Electrostatically Sensitive Devices (ESD). Examples of typical ESD devices are integrated circuits and some field-effect transistors and semiconductor chip components. The following techniques should be used to help reduce the incidence of component damage caused by static electricity.

1. Immediately before handling any semiconductor component or semiconductor-equipped assembly, drain off any electrostatic charge on your body by touching a known earth ground. Alternatively, obtain and wear a commercially available discharging wrist strap device, which should be removed for potential shock reasons prior to applying power to the unit under test.
2. After removing an electrical assembly equipped with ESD devices, place the assembly on a conductive surface such as aluminum foil, to prevent electrostatic charge buildup or exposure of the assembly.
3. Use only a grounded-tip soldering iron to solder or unsolder ESD devices.
4. Use only an anti-static solder removal device. Some solder removal devices not classified as "anti-static" can generate electrical charges sufficient to damage ESD devices.
5. Do not use freon-propelled chemicals. These can generate electrical charges sufficient to damage ESD devices.
6. Do not remove a replacement ESD device from its protective package until immediately before you are ready to install it. (Most replacement ESD devices are packaged with leads electrically shorted together by conductive foam, aluminum foil or comparable conductive materials).
7. Immediately before removing the protective material from the leads of a replacement ESD device, touch the protective material to the chassis or circuit assembly into which the device will be installed.

**CAUTION : BE SURE NO POWER IS APPLIED TO THE CHASSIS OR CIRCUIT, AND OBSERVE ALL OTHER SAFETY PRECAUTIONS.**

8. Minimize bodily motions when handling unpackaged replacement ESD devices. (Otherwise harmless motion such as the brushing together of your clothes fabric or the lifting of your foot from a carpeted floor can generate static electricity sufficient to damage an ESD device).



## CDR20 SPECIFICATIONS

Playback Sampling Frequency	44.1 kHz
D/A Conversion	96kHz, Multi-Bit Delta-Sigma Conversion
Oversampling	128 Times

### Playback Specifications

Frequency Response	2Hz – 20,050Hz
Playback S/N	105dB
Playback Dynamic Range	105dB
Playback THD	0.005% / –88dB
Analog Audio Output	2V RMS, ± 2dB
Digital-Coaxial Output	0.5 Vpp/75Ω
Headphone Output	1V RMS/32ΩLoad

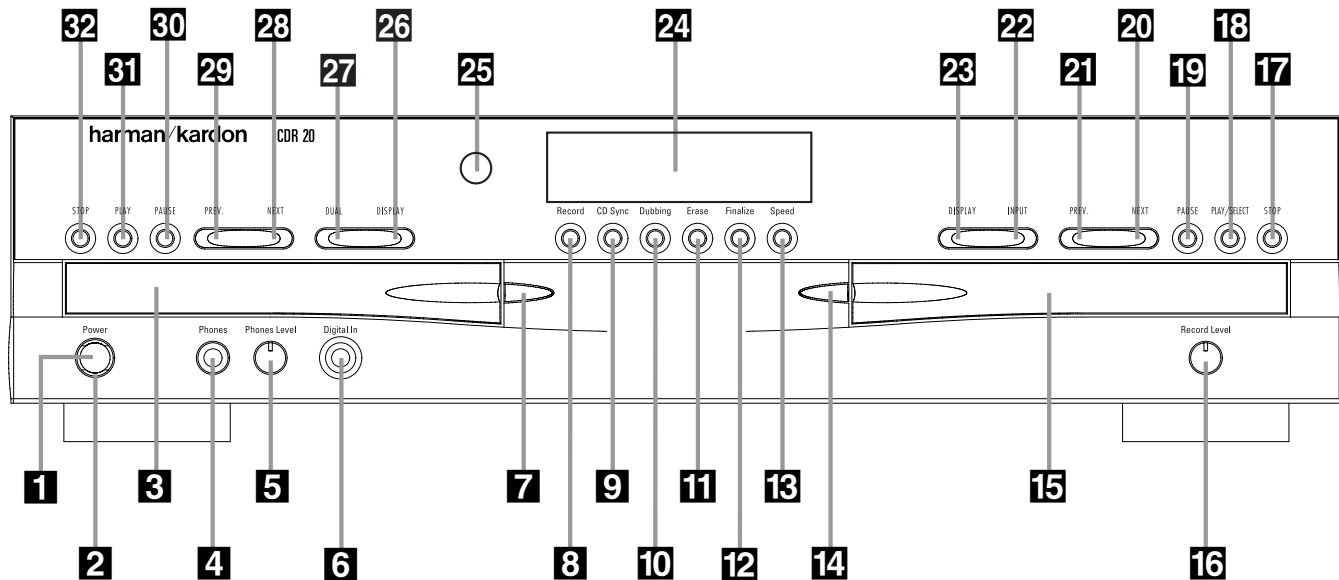
### Record Specifications

Digital Dubbing Mode(X1/X2/X4)	Equal to source
Digital Input Sample Rate	32kHz ~ 96kHz
Signal/Noise Ratio - Analog	91dB
Signal/Noise Ratio - External(Source)	source-10dB
Dynamic Range	91dB
THD	0.005%/-85dB
Analog Input Sensitivity	330 mV RMS 47kΩ= 0dB
Digital Inputs (Direct Recording)	44.1kHz, ± 100 ppm/min.

### General

Power Requirement	100~240V AC, 50/60Hz
Power Consumption	28 Watts
Dimensions	
Height	4.4"/112mm
Width	17.3"/440mm
Depth	14.2"/363mm
Weight	10.5 lb/4.7 kg

## Front-Panel Controls



- |                                  |                                       |                                      |
|----------------------------------|---------------------------------------|--------------------------------------|
| <b>1</b> Power Switch            | <b>12</b> Finalize                    | <b>23</b> Record-Deck Display Select |
| <b>2</b> Status-Mode Indicator   | <b>13</b> Speed                       | <b>24</b> Information Display        |
| <b>3</b> Play Deck               | <b>14</b> Record-Deck Open            | <b>25</b> Remote Sensor              |
| <b>4</b> Headphone Jack          | <b>15</b> Record Deck                 | <b>26</b> Play-Deck Display Select   |
| <b>5</b> Headphone Level Control | <b>16</b> Analog-Record Level Control | <b>27</b> Dual-Play Selector         |
| <b>6</b> Digital Input           | <b>17</b> Record-Deck Stop            | <b>28</b> Play-Deck Next             |
| <b>7</b> Play-Deck Open          | <b>18</b> Record-Deck Play/Select     | <b>29</b> Play-Deck Previous         |
| <b>8</b> Record Button           | <b>19</b> Record-Deck Pause           | <b>30</b> Play-Deck Pause            |
| <b>9</b> CD Sync                 | <b>20</b> Record-Deck Next            | <b>31</b> Play-Deck Play             |
| <b>10</b> Dubbing                | <b>21</b> Record-Deck Previous        | <b>32</b> Play-Deck Stop             |
| <b>11</b> Erase                  | <b>22</b> Input Select                |                                      |

**1 Power Switch:** Press this switch to apply power to the CDR 20. When the unit is first turned on, the **Status-Mode Indicator 2** surrounding the switch will turn green. Once the unit has been turned on with this switch, it may be operated from either the front panel or remote control. Press the switch again to turn the unit completely off.

**2 Status-Mode Indicator:** When the CDR 20 is in the ON mode, this indicator will glow green. When the unit has been placed in the Standby mode by pressing the **Power-Off** button **32** on the remote, the indicator will glow amber, indicating that the unit is still connected to the AC main supply and is ready to be turned on from the remote control.

**3 Play Deck:** This disc deck is used to play back conventional CD discs and CD-R or CD-RW discs that have been finalized.

**4 Headphone Jack:** Connect standard headphones to this jack for private listening.

**5 Headphone Level Control:** Turn this control to adjust the volume level to the headphones. Note that the use of this control will not change the analog output levels at the rear-panel audio outputs **1 2**.

**6 Digital Input:** This coaxial digital input may be used to connect a portable digital audio player to the CDR 20 for digital recording. When an active digital signal is connected to both the front- and rear-panel coaxial inputs, the source connected to the front-panel input will be selected for recording.

**7 Play-Deck Open:** Press this button to open the Play Deck **3**.

**8 Record Button:** Press this button to begin the recording process. See pages 20-22 for more information on CD recording.

**9 CD Sync:** Press this button once to begin an automated recording of a single track from an external CD player when a digital connection is used. Press it twice to begin automated recording of an entire disc. See page 21 for more information on CD Sync recording.

**10 Dubbing:** Press this button to begin the process of making a complete copy of the disc in the Play Deck **3** to a CD-R or CD-RW disc in the Record Deck **15**. See page 20 for more information on dubbing.

**11 Erase:** Press this button to erase one or more tracks or the entire contents of an un-finalized CD-RW disc. When a CD-RW disc has already been finalized you may erase the entire disc or you may "unfinalize" the disc by erasing the **T O C** data. See page 22 for more information on erasing CD-RW discs.

## Front-Panel Controls

**12 Finalize:** Press this button when a recording is complete to initiate the finalization process. **The Play/Select Button 18 10** must be pressed within three seconds to activate finalization. Until this button is pressed and the finalization process is complete, CD-R discs may not be played on conventional CD machines. See page 22 for more information on finalization.

**13 Speed:** Press this button to select the recording speed for internal dubs. See page 20 for more information on selecting the proper speed.

**14 Record-Deck Open:** Press this button to open the Record Deck **15**.

**15 Record Deck:** This Disc Deck is used to record or play back CD, CD-R and CD-RW discs.

**16 Analog-Record Level Control:** The control is used to adjust the input level when making recordings from analog sources such as cassettes, or when CDs are recorded in an analog mode. See page 22 for more information on record levels.

**17 Record-Deck Stop:** Press this button to stop the CD in the Record Deck.

**18 Record-Deck Play/Select:** This button has two functions. It may be pressed when a standard CD is in the Record Deck to put the machine in play, or it may be used to enter a selection or start certain record functions.

**19 Record-Deck Pause:** When the Record Deck is in the Play mode, pressing this button will pause the disc. If the disc has previously been paused, pressing this button will restart the playback.

**20 Record-Deck Next:** When a disc is playing in the Record Deck **15**, press and hold this button to play the disc in a fast-forward mode to quickly locate a desired passage. At any time, tapping the button and quickly releasing it will move to the next track on a disc in play.

**21 Record Deck Previous:** This button has two functions. When a disc is playing in the Record Deck **15**, press and hold this button to play the disc in a fast reverse mode to quickly locate a desired passage. At any time, tapping the button and quickly releasing it will move to the beginning of the current track, and the next press will move to the previous track. When a disc is stopped, each press will move back one for programming or play when the disc is stopped. Once a track is entered, it may be played by simply pressing the **Play** button **18 10**.

**22 Input Select:** Press this button to select the input source (analog or digital coax) for recording. See page 22 for more information on input selection.

**23 Record-Deck Display Select:** Press this button to cycle through the time display options for the Record Deck. See page 17 for more information on the time display.

**24 Information Display:** The indicators in the Information Display provide status reports on the operation of the CDR 20. See page 7 for complete explanations of each indicator.

**25 Remote Sensor:** The IR sensor that receives the commands from the remote control is behind this area. Do not cover or obscure this part of the front panel to avoid any malfunction with the remote.

**26 Play-Deck Display Select:** Press this button to cycle through the time display options for the Play Deck. See page 17 for more information on the time display.

**27 Dual-Play Selector:** Press this button to enable both CD decks to play at the same time and function as separate, independent CD units. In this mode it is also possible to record from an external source while the Play Deck is functioning as a standard CD player. See page 17 for more information on dual-play capability.

**28 Play-Deck Next:** When a disc is playing in the Play Deck **3**, press and hold this button to play the disc in a fast-forward mode to quickly locate a desired passage. At any time, tapping the button and quickly releasing it will move to the next track on a disc in play.

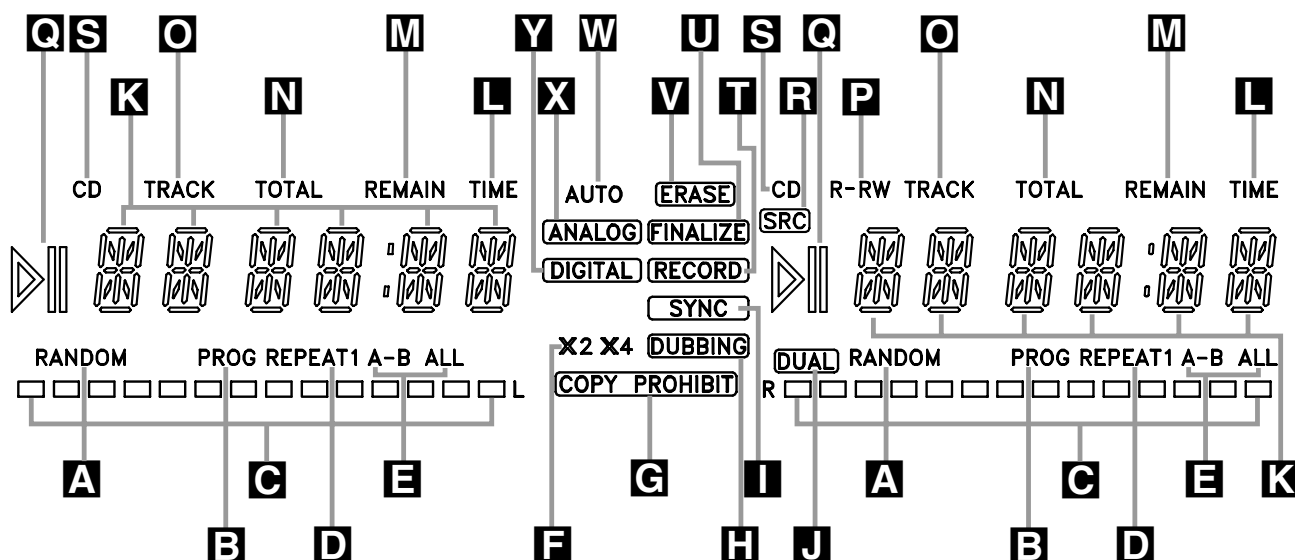
**29 Play-Deck Previous:** This button has two functions. When a disc is playing in the Play Deck **3**, press and hold this button to play the disc in a fast-reverse mode to quickly locate a desired passage. At any time, tapping the button and quickly releasing it will move to the beginning of the current track, and the next press will move to the previous track. When a disc is stopped, each press will move back one track for programming or play when the disc is stopped. Once a track is entered, it may be played by simply pressing the **Play** button **31 10**.

**30 Play-Deck Pause:** When the Play Deck is running, pressing this button will pause the disc. If the disc has previously been paused, pressing this button will restart the playback.

**31 Play-Deck Play:** Press this button to begin playback of a CD in the Play Deck or the dubbing process.

**32 Play-Deck Stop:** Press this button to stop the CD in the Play Deck.

## Front-Panel Information Display



- A** Random Indicators
- B** Program Indicators
- C** Level Indicators
- D** Repeat Indicators
- E** Repeat-Status Indicators
- F** Speed Indicators
- G** Copy-Prohibit Indicator
- H** Dubbing Indicator
- I** Sync Indicator

- J** Dual-Play Indicator
- K** Information Displays
- L** Time Indicators
- M** Remaining-Time Indicators
- N** Total-Time Indicators
- O** Track-Time Indicators
- P** R/RW Indicator
- Q** Play/Pause Indicators
- R** Sample-Rate Converter

- S** CD Indicators
- T** Record Indicator
- U** Finalize Indicator
- V** Erase Indicator
- W** Auto Indicator
- X** Analog Indicator
- Y** Digital Indicator

**Important Note:** Since the CDR 20 is a dual-deck player/recorder, there are two separate sets of indicators for the Random, Program, Repeat, Repeat Status, Time, Total Time and Track Time. In addition, there is a separate Information Display, Play/Pause Indicator and CD Indicator for each deck. As the function of these indicators is identical for both decks, they are described in this manual with a common letter. When the CDR 20 is playing or recording a disc, any indicators that light on the left side of the display describe the status of the Play Deck, while those that light on the right side of the display describe the status of the Record Deck. Depending on the activity of the unit and the settings you select, different indicators may light on the two sides at the same time.

**A Random Indicators:** These indicators light when random playback has been programmed for one of the CD decks. See page 16 for more information on random play.

**B Program Indicators:** These indicators light when one of the CD decks is being programmed for playback options. See page 18 for more information on programmed play.

**C Level Indicators:** These LEDs display the input level during an analog recording, and the output level during playback. See page 22 for more information on record levels.

**D Repeat Indicators:** These indicators light when a repeat function is being used. See page 18 for more information on repeat play.

**E Repeat-Status Indicators:** These indicators display the type of repeat function being used. See page 18 for more information on repeat status.

**F Speed Indicators:** These indicators show which record speed has been selected for dub recordings. See page 20 for more information on record-speed selection.

**G Copy-Prohibit Indicator:** This indicator lights when a recording is not possible due to the intervention of the Serial Copy Management System (SCMS). See page 20 for more information on SCMS.

**H Dubbing Indicator:** This indicator lights when a dub is in progress between the two CD

Decks. See page 20 for more information on CD dubbing.

**I Sync Indicator:** This indicator lights when the unit has been programmed for a CD Sync recording. See page 21 for more information on CD Sync recordings.

**J Dual-Play Indicator:** This indicator lights when the unit is playing in the Dual mode, which allows both CD decks to act as playback decks at the same time. See page 17 for more information on the dual-play mode.

**K Information Displays:** These displays serve two functions, showing the time displays for discs playing, and displaying messages about discs or recordings.

## Front-Panel Information Display

**L Time Indicators:** These indicators light in conjunction with one of the time indicators **M****N****O** to show which of the time status modes is active.

**M Remaining-Time Indicators:** These indicators light when the Information Display **K** shows the time remaining on a disc.

**N Total Time:** These indicators light when the Information Display **K** shows the total time of all tracks on a disc.

**O Track Time:** These indicators light when the Information Display **K** shows the running time of the individual track being played.

**P R/RW Indicator:** This indicator shows which type of recordable disc is present in the Record Deck **15**. When a CD-R disc is present, only the R is lit. The RW lights when an erasable CD-RW disc is in use.

**Q Play/Pause Indicators:** These indicators show the status of the individual CD decks. The **▶** lights when the CD is playing, and the **▶||** lights when the unit is in a Pause mode.

**R Sample-Rate Converter:** This indicator lights when the Sample-Rate Converter is in use to change the digital sample rate when the incoming signal is not the standard 44.1kHz used by standard CDs. This is an automatic function and does not require any user intervention.

**S CD Indicators:** These indicators light when a standard CD is playing in either deck **3** or **15**.

**T Record Indicator:** This indicator lights when the unit is making a recording and flashes during the preparations for recording.

**U Finalize Indicator:** This indicator lights when the unit is in the Finalization process, which is required before a CD-R disc may be played on a standard CD machine. See page 22 for more information on Finalization.

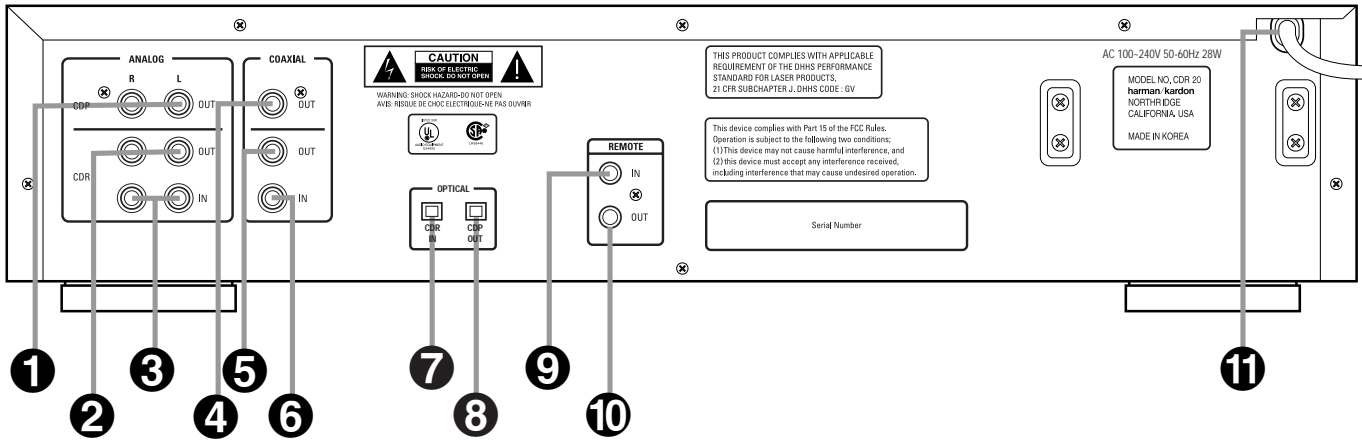
**V Erase Indicator:** This indicator lights when a CD-RW disc is being erased. Note that only CD-RW discs may be erased; it is not possible to erase a CD-R disc. See page 22 for more information on erasing discs.

**W Auto Indicator:** This indicator lights when the automatic method of incrementing tracks is selected for a recording session. See page 21 for more information on track increments.

**X Analog Indicator:** This indicator lights when an analog source is being recorded. See page 21 for more information on source selection.

**Y Digital Indicator:** This indicator lights when a digital source is being recorded. See page 21 for more information on source selection.

## Rear-Panel Connections



- 1** Play Deck (CDP) Analog Output
- 2** Record Deck (CDR) Analog Output
- 3** Record Deck (CDR) Analog Input
- 4** Play Deck (CDP) Coaxial-Digital Output

- 5** Record Deck (CDR) Coaxial-Digital Output
- 6** Record Deck (CDR) Coaxial-Digital Input
- 7** Record Deck (CDR) Optical-Digital Input
- 8** Play Deck (CDP) Optical-Digital Output

- 9** Remote IR Input
- 10** Remote IR Output
- 11** AC Power Cord

**1 Play Deck (CDP) Analog Output:** These jacks carry the analog audio output signal from the **Play Deck 3**. Connect them to the CD input jacks on a receiver, preamp or processor.

**2 Record Deck (CDR) Analog Output:** These jacks carry the output signal from the **Record Deck 15**. Connect them to the **Tape Play/In** input jacks on a receiver, preamp or processor.

**3 Record Deck (CDR) Analog Input:** These jacks accept the analog signals that are used for CD recordings. Connect them to the **Tape Rec/Play** outputs on a receiver, preamp or processor.

**4 Play Deck (CDP) Coaxial-Digital Output:** This jack carries the digital-audio output signal from the **Play Deck 3**. Connect it to a coaxial-digital input on a receiver, processor or digital decoder.

**5 Record Deck (CDR) Coaxial-Digital Output:** This jack carries the digital audio output signal from the **Record Deck 15**. Connect it to a coaxial digital input on a receiver, processor or digital decoder.

**6 Record Deck (CDR) Coaxial-Digital Input:** This jack accepts the digital-audio input signal from a compatible digital audio product and should be connected directly to a digital player or to a coaxial-digital output on a CD or DVD player or an A/V receiver or processor.

**IMPORTANT NOTE:** The coaxial digital inputs should only be connected to **digital** input or output jacks. Even though they use the same RCA type connector as standard analog audio connections, **DO NOT** connect them to conventional analog input or output jacks.

**7 Record Deck (CDR) Optical-Digital Input:** This jack accepts the digital-audio input signal from a compatible digital audio product, and should be connected to the optical-digital output on a CD or DVD player or an A/V receiver or processor.

**8 Play Deck (CDP) Optical-Digital Output:** This jack carries the optical digital output signal from the **Play Deck 3**. Connect it to an optical digital input on a receiver, processor or digital recorder. This will typically be connected to the "CD" input.

**9 Remote IR Input:** Connect the output of a remote infrared sensor or the remote control output of another compatible Harman Kardon product to this jack. This will enable the remote control to operate even when the front-panel **Remote Sensor 25** is blocked. This jack may also be used with compatible IR remote control based automation systems.


**10 Remote IR Output:** Connect this jack to the IR input jack of another compatible Harman Kardon remote controlled product to have the built-in remote sensor **25** on the

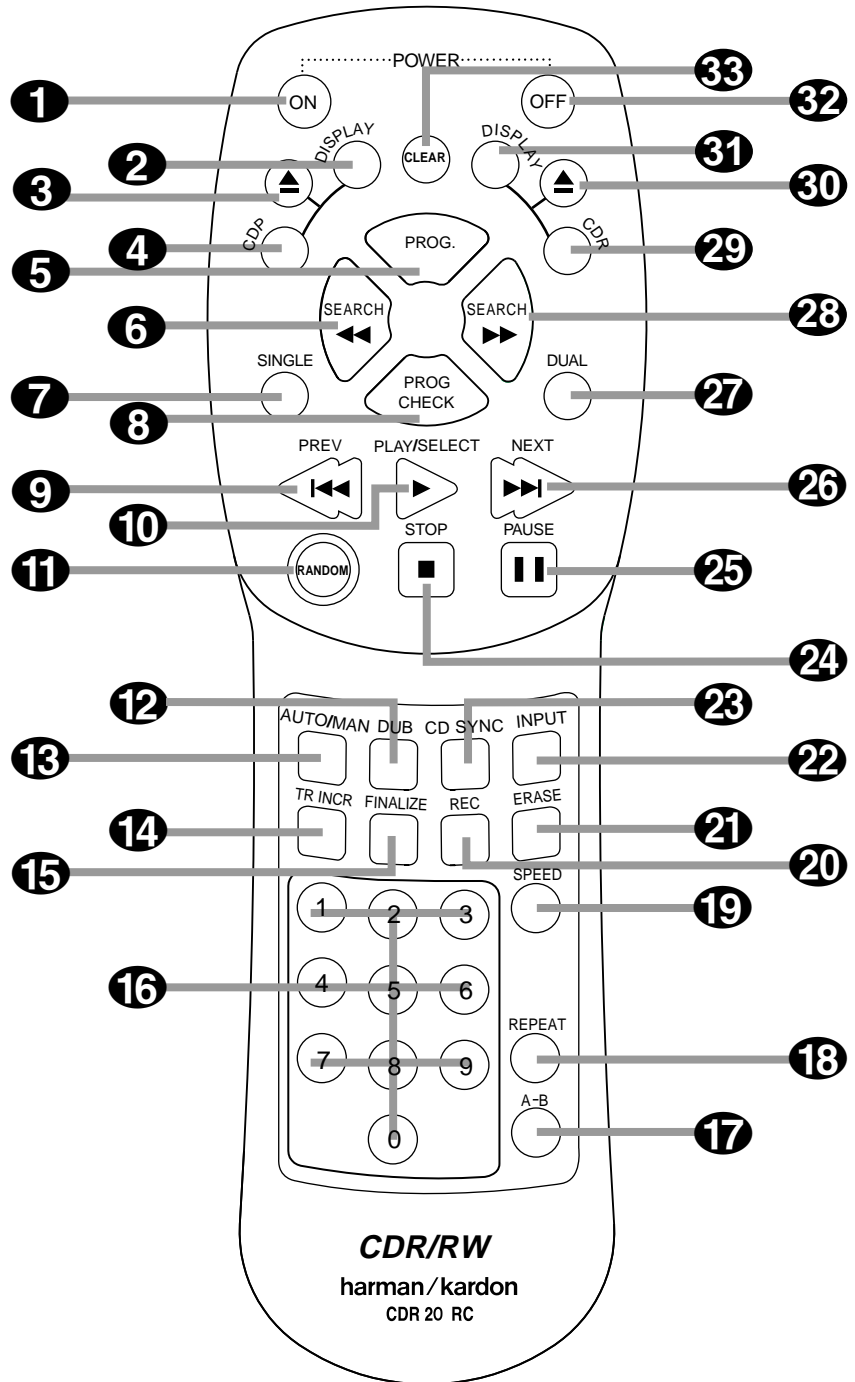
CDR 20 provide IR signals to other compatible products.

**11 AC Power Cord:** Connect this plug to an AC outlet. If the outlet is switch controlled, make certain that it is in the **ON** position.

# Remote Control Functions

- 1 Power-On Button
- 2 Play Deck (CDP) Display Control
- 3 Play Deck (CDP) Open
- 4 Play Deck (CDP) Select
- 5 Program
- 6 Reverse Search
- 7 Single
- 8 Program Check
- 9 Previous-Track Skip
- 10 Play/Select
- 11 Random Play
- 12 Dub
- 13 Automatic/Manual Track Increment Selector
- 14 Track Increment
- 15 Finalize
- 16 Numeric Keys
- 17 A-B Repeat
- 18 Repeat
- 19 Speed Select
- 20 Record Button
- 21 Erase Button
- 22 Input Select
- 23 CD Sync
- 24 Stop
- 25 Pause
- 26 Next Track/Skip
- 27 Dual-Deck Playback
- 28 Forward Search
- 29 Record Deck (CDR) Select
- 30 Record Deck (CDR) Open
- 31 Record Deck (CDR) Display Control
- 32 Power Off
- 33 Clear

**IMPORTANT NOTE:** Some of the remote's functions, including Play, Pause, Stop, Search, Next and Previous Track, are shared between the two decks. Always remember to press the CDP Select button **4** to use the remote to control the Play Deck, or press the CDR Select button **29** to control the Record Deck. When you press one of these buttons, an indication of CDP or CDR will appear in the appropriate Information Display .





## Remote Control Functions

- 1 Power-On Button:** Press this button to turn the CDR 20 on. Note that in order for this control to function, the **Front-Panel Power Switch 1** must first be pressed so that the unit is in the Standby mode.
- 2 Play Deck (CDP) Display Control:** Press this button to cycle through the various time display options for the disc in the **Play Deck 3**. See page 17 for more information on time-display options.
- 3 Play Deck (CDP) Open:** Press this button to open the **Play Deck 3**.
- 4 Play Deck (CDP) Select:** Press this button to control or program the functions of the disc in the **Play Deck 3**.
- 5 Program:** Press this button to begin the programming sequence for one of the CD decks. See page 18 for more information on programming the CDR 20.
- 6 Reverse Search:** Press this button to play the selected disc in reverse to locate a desired passage.
- 7 Single:** When this button is pressed, the CDR 20 will function as a two-disc CD player/changer. In the Single mode, the audio output will be routed to all output jacks **1 2 4 5 8** regardless of which CD deck is actually playing. See page 17 for more information on the Single-Play mode.
- 8 Program Check:** Press this button to check or edit a programmed playback sequence. See page 18 for more information on programmed playback.
- 9 Previous-Track Skip:** Press this button to skip backwards to the beginning of the track currently being played. Press it a second time to move back to the beginning of each previous track.
- 10 Play/Select:** This button has two functions. It will most often be used as a standard play button, but when setting up certain record functions, it is also used as an Enter or Select button.
- 11 Random Play:** When the CD deck is stopped, press this button to begin random play of all tracks on a disc.
- 12 Dub:** Press this button to begin a dub. See page 20 for more information on dubbing.
- 13 Automatic/Manual Track Increment Selector:** Press this button to select between automatic and manual track increments during a recording session. See page 21 for more information on track increments.
- 14 Track Increment:** When the Manual mode for track increments is selected during recording, press this button to increase the track number. **NOTE:** This function does not operate during CD Sync or dub recording.
- 15 Finalize:** Press this button when a recording is complete to initiate the finalization process. The **Play/Select** button **18 10** must be pressed within three seconds to activate finalization. Until this button is pressed and the finalization process is complete, CD-R or CD-RW discs may not be played on conventional CD machines. See page 22 for more information on Finalization.
- 16 Numeric Keys:** Press these buttons to access a specific track for playback or during the programming process. See page 18 for more information on programmed playback.
- 17 A-B Repeat:** Press this button to specify a segment of a disc for repeat play. See page 18 for more information on repeat play.
- 18 Repeat:** Press this button once to repeat the current track. To repeat an entire disc, press the button twice.
- 19 Speed Select:** Press this button to select the recording speed for internal dubs. See page 20 for more information on selecting the proper speed.
- 20 Record Button:** Press this button to begin a manual recording.
- 21 Erase Button:** Press this button to initiate the erasure of a track or of an entire CD-RW disc or to Unfinalize a disc. Note that erasure is only possible on CD-RW discs. See page 22 for more information on erasing discs.
- 22 Input Select:** Press this button to select the input source (analog or digital-coax) for recording. See page 21 for more information on input selection.
- 23 CD Sync:** Press this button once to begin an automated recording of a single track from an external CD player when a digital connection is used. Press it twice to begin automated recording of an entire disc. See page 21 for more information on CD Sync recording.
- 24 Stop:** Press this button to stop playback or recording.
- 25 Pause:** Press this button to momentarily pause playback. Press it again to resume playback.
- 26 Next Track/Skip:** Press this button to skip forward to the next track on a disc.
- 27 Dual Deck Playback:** Press this button to enable both CD decks to play back at the same time and function as separate, independent CD units. In this mode it is also possible to record from an external source while the Play Deck is functioning as a standard CD player. See page 17 for more information on dual-play capability.
- 28 Forward Search:** Press this button to play a disc in a fast-forward mode.
- 29 Record Deck (CDR) Select:** Press this button to control or program the functions of the disc in the **Record Deck 15**.
- 30 Record Deck (CDR) Open:** Press this button to open the **Record Deck 15**.
- 31 Record Deck (CDR) Display Control:** Press this button to cycle through the various time-display options for the disc in the **Record Deck 15**. See page 17 for more information on time-display options.
- 32 Power-Off:** Press this button to place the unit in a Standby mode.
- 33 Clear:** Press this button to clear an item in a program sequence. See page 18 for more information.



## Installation and Connections

**Important Note:** To prevent possible damage to your speakers or other components in your audio system, we strongly recommend that ALL system components, including the CDR 20, be turned off and unplugged from their AC power source when any connections are made or a new component is installed.

### Locating the CDR 20

Since the CD transports in the CDR 20 are precision instruments, they are subject to interference from vibration. To minimize the possibility of skipping during playback or recording, it is recommended that the unit be placed on a level, solid, vibration-free surface.

When installing the CDR 20 in a cabinet or tight space, always make certain that there is enough room in front of the unit for the disc drawers to open fully, and that there is enough space above the unit so that discs may easily be inserted in the disc drawers.

In addition to the safety considerations outlined on page 4, it is also recommended that the CDR 20 not be placed in a location that is subject to direct sunlight or extreme heat or cold, as these conditions may damage the discs used in the player, or the player itself. Note that audio amplifiers or high-power receivers, as well as certain other electronic products, may generate significant heat. For that reason, do not place the CDR 20 directly on top of an amplifier, receiver, or other heat source. Always allow at least one inch of free space on all sides of the CDR 20, as well as other electronic products, to allow for proper ventilation.

The unit should also be kept away from sources of water or damp conditions.

### Connections to Your Audio System

When connecting the CDR 20, think of the process as if you were connecting a standard CD player and a tape or cassette recorder, with the addition of the digital connections.

### Play-Deck Connections

The rear-panel connections labeled "CDP" refer to the outputs of the **Play Deck 3**, which functions as a standard CD player. Connect the analog left/right CDP outputs **1** to the CD inputs on your receiver, preamp or surround processor. For best playback results, a digital connection is recommended, using the coaxial or optical **4 8** outputs. Connect them to the matching digital inputs of your receiver, pre-amp, processor or external digital decoder. Note that you may have to change a setting on the receiver or processor to link the digital input to the "CD" button or input selector. Consult the owner's manual on that device for details, as this configuration may vary from unit to unit.

### Record-Deck Connections

The rear-panel connections labeled "CDR" refer to the inputs and outputs for the **Record Deck 15**. Depending on the capabilities of your receiver, preamp or processor, you may find it convenient to connect the analog inputs and outputs to the jacks marked for a tape recorder. As the CDR 20's functions resemble those of a standard tape recorder, this might make it easier to select it as an input on your receiver or preamp. Connect the analog CDR-Out jacks **2** to the Play/In jacks of a Tape or Aux input on your receiver or preamp. Connect the CDR-In jacks **3** to the Tape Rec/Out jacks on your receiver or preamp.

To play the output of the Record Deck through the digital decoder in your receiver or an external processor, connect the **CDR Coax-Out 5** jacks to the matching digital-input jacks on your receiver or processor. Note that you may have to change a setting on the receiver or processor to link the digital input to the "Tape" button or the specific input selector associated with the digital inputs. Consult the owner's manual on your receiver or processor for details, as this configuration may vary from unit to unit.

To make recordings from external digital sources, such as a CD, DVD or MD player, connect the **CDR Coax-In jacks 6 6** or **CDR Optical In Jack 7** on the CDR to the digital output jacks on your receiver or processor. If your receiver does not have digital-output jacks, you may connect the **CDR Coax In jacks 6 6** or **CDR Optical In Jack 7** on the CDR 20 directly to the digital outputs on your CD player or other digital device.

Connections to a portable digital CD or MD player may also be made by connecting the Coax Digital Output of the player to the Front-Panel Digital Input **6** on the CDR 20. Note that when both the front and rear panel digital inputs are connected to external sources, the CDR 20 will give priority to the front-panel input **6**. If it is impractical to disconnect the front-panel input when you need to use the rear-panel jack, simply turn off the device connected to the front-panel input. This will stop the digital signal, and permit the rear-panel jack to be used.

### IMPORTANT NOTES ON DIGITAL CONNECTIONS:

Although digital-coax connections use the same type of "RCA" phono jack as standard analog signals, please take special care to connect digital signals only to digital jacks. In many cases, the digital jacks may be identified by an orange-colored insert ring around the center of the jack. When making digital connections, be sure to use coax-interconnect cables, such as the one supplied with the CDR 20 or cables intended for video applications. Even though they have the correct type of RCA connector, do not use audio-interconnect cables that have twisted-pair construction, as they are not appropriate for digital signal use. If you have any questions about the type of cables to use with the CDR 20, consult your dealer.

## Troubleshooting Guide and Error Messages

### TROUBLESHOOTING GUIDE

SYMPTOM	POSSIBLE CAUSE	SOLUTION
Unit does not operate when Standby switch or remote Power-On is pressed	<ul style="list-style-type: none"> <li>No AC power</li> <li>Main Power Switch is off</li> </ul>	<ul style="list-style-type: none"> <li>Make certain AC power cord is plugged into a live outlet</li> <li>Check to see if AC outlet is switch controlled</li> <li>Turn on Main Power</li> </ul>
Remote does not function	<ul style="list-style-type: none"> <li>Wrong deck selected</li> <li>Dead batteries</li> <li>Sensor blocked</li> </ul>	<ul style="list-style-type: none"> <li>Press the CDP button to control the Play Deck; press the CDR button to control the Record Deck</li> <li>Replace both batteries</li> <li>Remove obstructions from front panel or connect a remote sensor to the Remote-In Jack</li> </ul>
Disc does not erase	<ul style="list-style-type: none"> <li>CD-R disc in use</li> </ul>	<ul style="list-style-type: none"> <li>CD-R discs do not erase, only CD-RW discs may be erased</li> </ul>
Recorded CD-R disc does not play in another CD player or <b>DISC ERROR</b> message appears in Play Deck	<ul style="list-style-type: none"> <li>CD-R disc not finalized</li> </ul>	<ul style="list-style-type: none"> <li>Finalize the CD-R disc in the CDR 20's Record Deck</li> </ul>
Recording suddenly stops	<ul style="list-style-type: none"> <li>Input source stopped or paused</li> </ul>	<ul style="list-style-type: none"> <li>Recordings will stop when the input source is paused for more than 3 seconds for digital recordings and 10 seconds for analog recordings</li> </ul>

### ERROR MESSAGES

ERROR MESSAGE	EXPLANATION AND PROBABLE CAUSE	SOLUTION
<b>CHECK DISC</b>	<ul style="list-style-type: none"> <li>A record-related button has been pressed when a Finalized disc is in the Record Deck <b>15</b></li> <li>A record-related button has been pressed when a standard CD is in the Record Deck <b>15</b></li> </ul>	<ul style="list-style-type: none"> <li>Unfinalize the disc to add tracks to a CD-RW disc</li> <li>Replace the disc with a blank CD-R or CD-RW disc</li> <li>Replace the disc with a blank CD-R or CD-RW disc</li> </ul>
<b>DATA DISC</b>	<ul style="list-style-type: none"> <li>A non-audio CD-ROM or a CD-Video disc has been placed in the machine</li> </ul>	<ul style="list-style-type: none"> <li>Only CD Audio and DTS discs will play in the CDR 20; replace the disc</li> </ul>
<b>DISC ERROR</b>	<ul style="list-style-type: none"> <li>An Unfinalized disc has been placed in the Play Deck <b>3</b></li> <li>A DVD disc has been placed in the unit</li> </ul>	<ul style="list-style-type: none"> <li>Finalize the disc</li> <li>Replace the disc, the CDR 20 does not play or dub DVD discs</li> </ul>
<b>DISC FULL</b>	<ul style="list-style-type: none"> <li>There are only four seconds of record time remaining on the disc being recorded</li> </ul>	<ul style="list-style-type: none"> <li>Use another blank CD-R or CD-RW disc</li> <li>Erase one or more tracks on a CD-RW disc</li> </ul>
<b>ERROR</b>	<ul style="list-style-type: none"> <li>The disc is not seated properly</li> <li>There is a problem with the disc</li> </ul>	<ul style="list-style-type: none"> <li>Open the drawer and check to see that the disc is properly seated</li> <li>Try another disc</li> </ul>
<b>FAILED</b>	<ul style="list-style-type: none"> <li>A dub has not been completed properly</li> </ul>	<ul style="list-style-type: none"> <li>Check the play disc</li> <li>Repeat the dub process</li> </ul>
<b>FULL</b>	<ul style="list-style-type: none"> <li>More than 99 tracks have been recorded</li> </ul>	<ul style="list-style-type: none"> <li>The CDR 20 does not record more than 99 tracks on a disc</li> </ul>
<b>NO AUDIO</b>	<ul style="list-style-type: none"> <li>A record-related button has been pressed when a non-audio disc is in the Record Drawer <b>15</b></li> </ul>	<ul style="list-style-type: none"> <li>Replace the disc with a blank CD-R or CD-RW Audio disc</li> </ul>
<b>SVC - 1</b>	<ul style="list-style-type: none"> <li>There is an internal problem with the CDR 20</li> </ul>	<ul style="list-style-type: none"> <li>Contact an authorized Harman Kardon service depot</li> </ul>

## Notice - Important information regarding the use of the harman/kardon CDR 20.

### 1) Complaint: "I cannot record at x2 or x4 speed. Unit switched back to 1x speed"

Possible explanations:

- a) Programmed play only records at x1 speed. *You cannot record at x2 or x4 speeds when programmed dub is attempted (to record only certain tracks on a CD)*
- b) Some brands of CDR do not allow recording at x2 or x4 speed. *Try another major brand – Maxell, Memorex, Sony, TDK. See list below.*
- c) Disc might be a copy - even a counterfeit disc – this will prevent recording at speeds greater than 1X. *Try recording off a new store-bought CD you know is not a copy.*

### 2) Due to slight variations in the manufacture of blank CD-R/RW audio discs, and for optimum performance of your CD recorder, harman/kardon recommends that you use blank recording discs manufactured by the following companies:

Products from these brands have been tested and certified for use with the CDR 20. While discs from other brands may also work, we cannot guarantee proper operation of the unit when they are used.

#### Recommended CD-R Audio Disc Manufacturers:

TDK Electronics Corporation	Maxell Corporation of America
LG Electronics, Inc.	Mitsubishi Electric & Electronics USA, Inc.
Ricoh Company, Ltd.	Philips Electronics North America
Memorex	Axia

#### Recommended CD-RW Audio Disc Manufacturers:

TDK Electronics Corporation	Fuji Photo Film, U.S.A., Inc.
LG Electronics, Inc.	Memorex
Philips Electronics North America	Samsung Electronics Co., Ltd.
Ricoh Company, Ltd.	Axia
SANYO-Verbatim CD Company	SKC America, Inc.
ZeroOne	Mitsubishi Electric & Electronics USA, Inc
Maxell Corporation of America	

NOTE: The names shown above are the primary manufacturers, who may also produce discs for other brand names. When in doubt as to the origin of a disc, check with the brand shown on the package.

- 3) **When a CD Audio disc is recorded on a computer, it is often possible to record a set of tracks, finalize the disc, and then add additional tracks and finalize the disc again in a second recording session.** This produces what is called a "multi-session" disc. Please note that these discs will work properly when played back on a computer, or on the CDR 20's Record (CDR) deck. However, due to differences in the way CDs are played back on computers, as opposed to consumer CD Audio players, multi-session discs will NOT play back properly on the CDR 20's Play (CDP) deck, or on most consumer CD players. When a multi-session disc is played in the CDP deck, only the tracks in the first session will play. This is not a defect or problem with the CDR 20, but is due to differences in the formats between computer recordings and CD Audio products or commercially recorded CDs.
- 4) **The CDR 20 prohibits the track incrementing function during the first six seconds for each track during recording.** Thus, if a source track is less than six seconds long, it will be recorded, but it will not be assigned a track number. The track with less than six seconds will be combined into the next track number that is recorded on the disc. This feature prevents the recording of empty tracks when the source signal was not cued up to start playing at the same time a recording session begins.

# harman/kardon

# Service Bulletin

Service bulletin # H/K2001-04 October 2001

Warranty labor rate: MINOR repair

To: All harman/kardon Service Centers

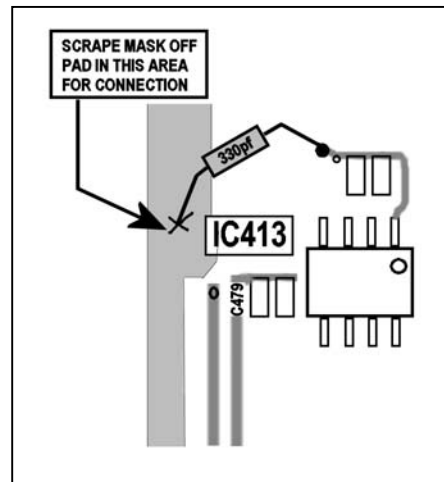
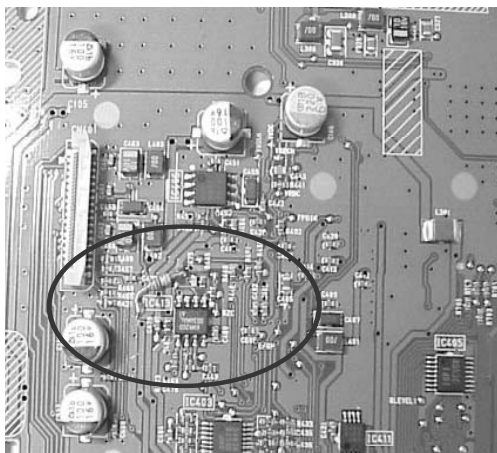
Model: CDR20

Subject: Delay in Reading Blank Disc

**In the event you receive a CDR20 CD Player/Recorder with the complaint: "The unit has an excessive delay (over 45 seconds) when initially reading a blank CDR disc in the Record drawer, after it's inserted", perform the modification below:**

Synopsis: Add a 330 pf ceramic capacitor from pin #1 on IC413 Op-amp to Ground.

- 1) With the unit plugged in, turn it ON. Press the eject button on the Record side to open the drawer.
- 2) With the drawer fully extended, carefully lift up on the front trim to separate it, and off the main part of the drawer. Press the eject button again to close the drawer. Turn the unit OFF and unplug it.
- 3) Remove the (7) Phillips screws holding the top cover on; remove the top cover.
- 4) Unplug the three connectors at the rear of the Record PCB.
- 5) Unscrew the (4) black Phillips screws that are deep in the slotted wells in each corner of the Record mechanism. Lift the entire Record assembly up and out of the unit.
- 6) Remove the gray metal shield from the assembly. Lay the assembly upside-down on a table, PCB facing upwards.
- 7) The PCB can be disengaged from the assembly by depressing the two black plastic tabs on opposite sides of the PCB and lifting, in sequence.
- 8) CAREFULLY lift the PCB off the assembly, noting the (4) connectors that are attached to the PCB. Unplug the three ribbon connectors. (NOTE: the largest female connector on the PCB has a locking collar which must be lifted to disengage the cable); the mustard-colored molex connector can remain in place, "hinge" the PCB open enough to lay it flat on the table.
- 9) Locate the area of concern with the aid of the illustrations. Solder a 330pf ceramic capacitor, (h/k part# 147-75-331) from electrical equivalent pin #1 on IC431 Op-amp to Ground.
- 10) Reassemble and replace the record mechanism in reverse order; test the unit by inserting a blank CDR disc in the Record drawer and note the time delay.



Model	Serial number 120V	Serial number 230V	Status	Action
CDR20	LG0003-01001 to LG0003-27200	LG0004-01001 to LG0004-07630	May have long time delay when reading a blank CDR disc	Add 330 pf capacitor from pin #1 on IC413 Op-amp to Ground
CDR20	LG0003-27201	LG0004-07631	Factory Installed	NONE REQUIRED

# harman/kardon

# Service Bulletin

Service bulletin # H/K2001-06 November 2001

Warranty labor rate: MINOR repair

To: All harman/kardon Service Centers

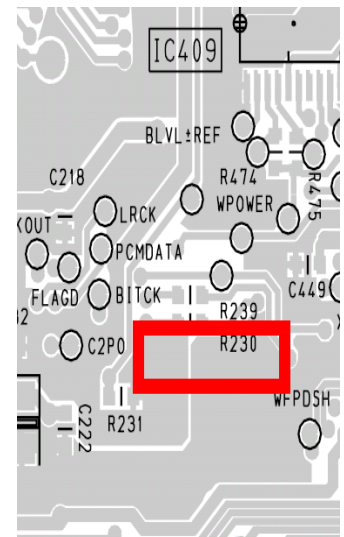
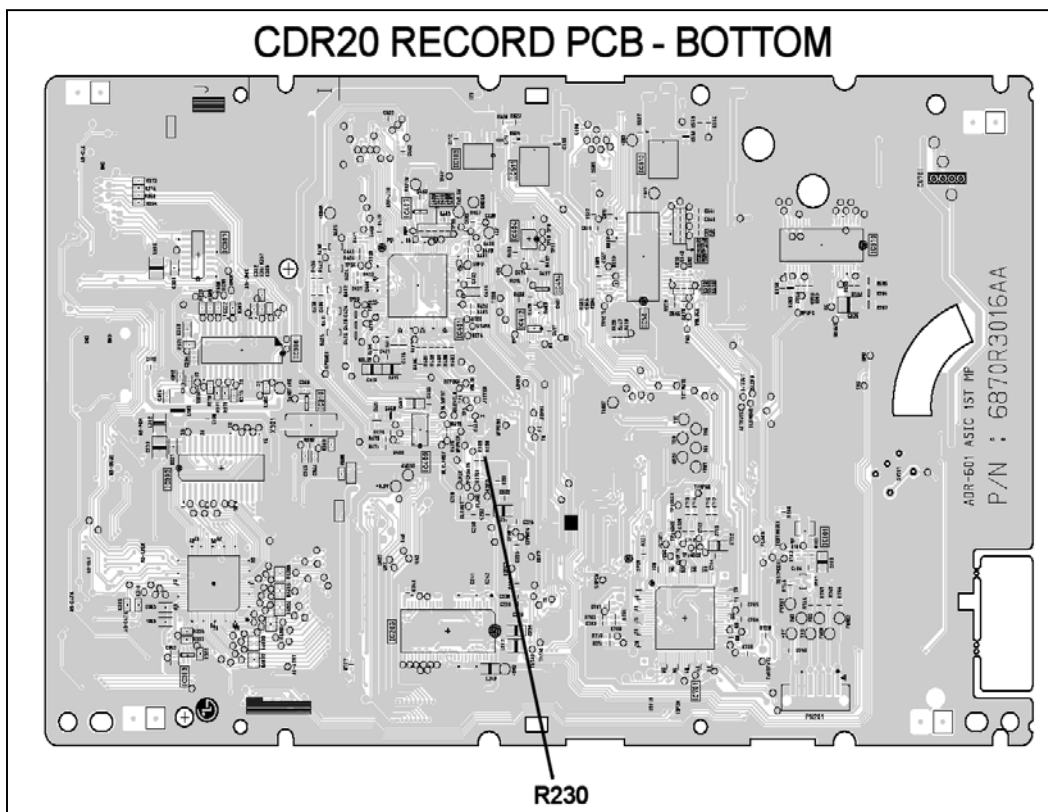
Model: CDR20

Subject: Noise when dubbing at x4 speed

**In the event you receive a CDR20 CD Player/Recorder with the complaint: "There is noise being generated on a recorded CDR at x4 speed", perform the modification below:**

Synopsis: Change resistor R230 from 100 ohms to 22 ohms.

- 1) With the unit plugged in, turn it ON. Press the eject button on the Record side to open the drawer.
- 2) With the drawer fully extended, carefully lift up on the front trim to separate it, and off the main part of the drawer. Press the eject button again to close the drawer. Turn the unit OFF and unplug it.
- 3) Remove the (7) Phillips screws holding the top cover on; remove the top cover.
- 4) Unplug the three connectors at the rear of the Record PCB.
- 5) Unscrew the (4) black Phillips screws that are deep in the slotted wells in each corner of the Record mechanism. Lift the entire Record assembly up and out of the unit.
- 6) Remove the gray metal shield from the assembly. Lay the assembly upside-down on a table, PCB facing upwards.
- 7) Locate the area of concern with the aid of the illustrations. Change SMD resistor R230 from 100 ohms to 22 ohms, h/k part# 301-22.
- 8) Reassemble and replace the record mechanism in reverse order; test the unit by inserting a blank CDR disc and making a recording at x4 speed to assure the noise problem is gone.



**See Page 2 for serial numbers of Factory Modified Units**

Service bulletin # H/K2001-06 November 2001

## FACTORY MODIFIED UNITS (120v)

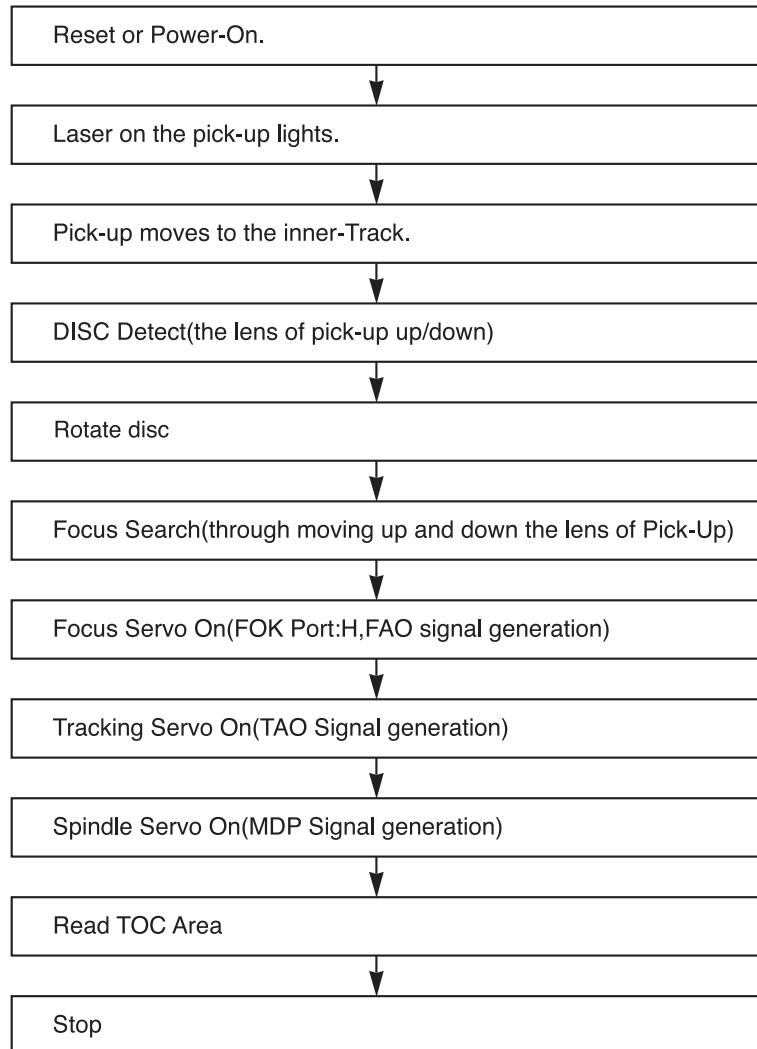
All Serial Numbers begin with prefix LG0003-

28111	28335	28415	28910	29164	29655
28230	28336	28417	28914	29172	29659
28234	28337	28418	28918	29181	29666
28241	28338	28431	28921	29183	29693
28244	28339	28432	28924	29184	29711
28247	28340	28442	28926	29195	29748
28260	28341	28468	28945	29236	29772
28264	28342	28475	28956	29277	29783
28272	28343	28481	28960	29300	29788
28280	28343	28488	28971	29301	29803
28281	28345	28489	28973	29302	29805
28282	28346	28509	28986	29303	29808
28283	28347	28521	28995	29306	
28284	28348	28522	28998	29308	
28285	28349	28525	29002	29309	
28286	28350	28526	29007	29310	
28287	28351	28531	29009	29328	
28288	28352	28533	29010	29330	
28289	28353	28545	29012	29331	
28290	28354	28547	29028	29344	
28291	28355	28551	29029	29364	
28292	28356	28625	29031	29393	
28303	28363	28638	29033	29405	
28317	28370	28648	29039	29409	
28318	28371	28662	29045	29414	
28319	28372	28715	29046	29419	
28320	28373	28719	29053	29446	
28321	28374	28763	29059	29453	
28322	28376	28813	29067	29461	
28323	28378	28816	29088	29474	
28324	28379	28820	29089	29478	
28325	28380	28827	29105	29481	
28326	28382	28849	29114	29559	
28327	28383	28862	29131	29570	
28329	28384	28863	29135	29578	
28330	28385	28872	29138	29581	
28331	28387	28876	29141	29620	
28332	28389	28890	29154	29630	
28333	28391	28893	29155	29634	
28334	28402	28909	29159	29648	

Also units in the range LG0003-29853 - LG0003-30640

# TROUBLESHOOTING GUIDE

## 1. Initial Lead-in Operation

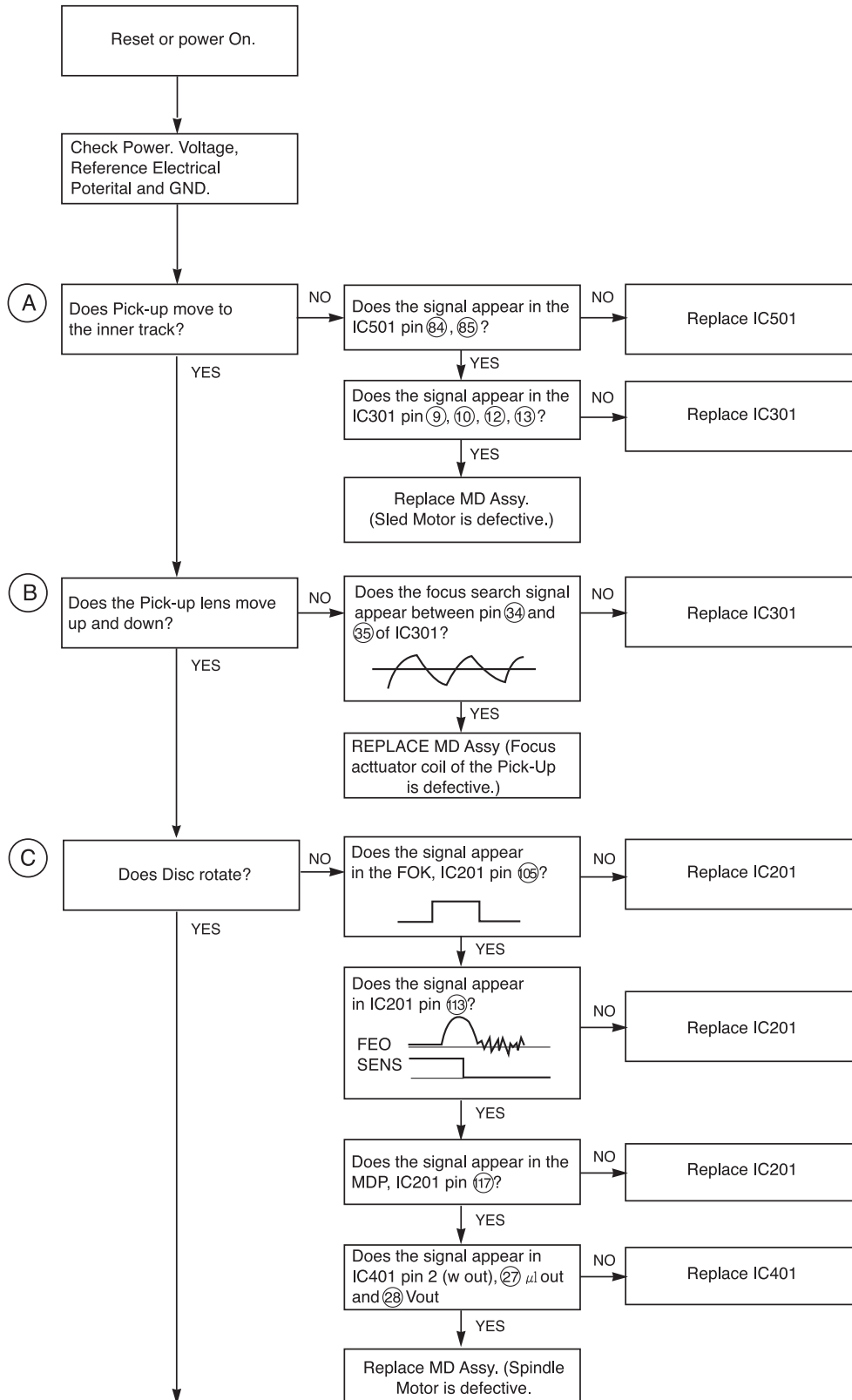


## 2. Trouble List(Circuit)

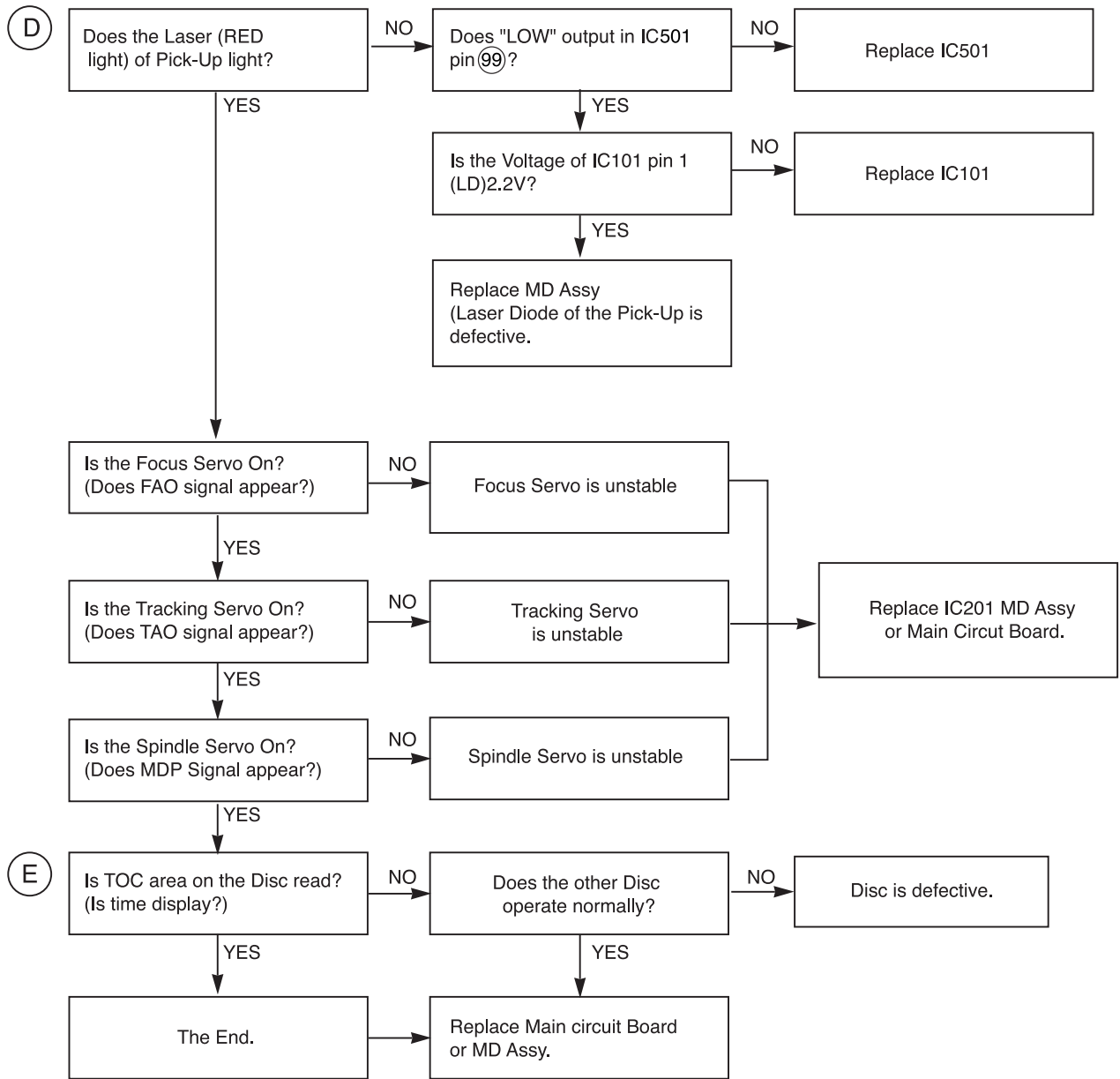
(In the Initial Lead-in Operation Mode)

- A. Pick-Up doesn't move to the inner-track.
- B. Pick-Up lens doesn't move up and down.
- C. Disc doesn't rotate.
- D. The Laser(RED) of Pick-Up doesn't light.
- E. TOC isn't read.

### 3. Troubleshooting Guide(In the Initial Lead-in Operation Mode)

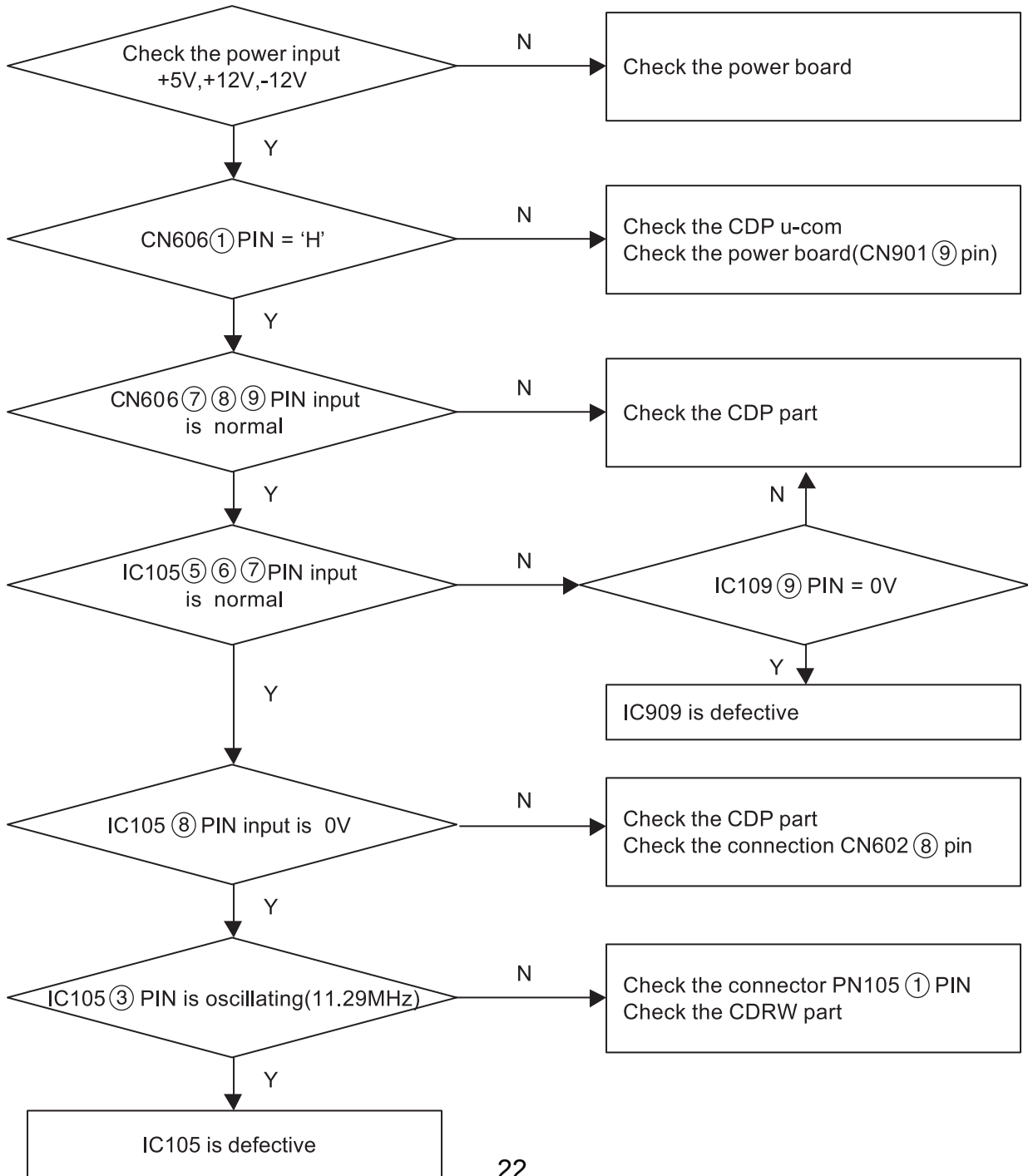






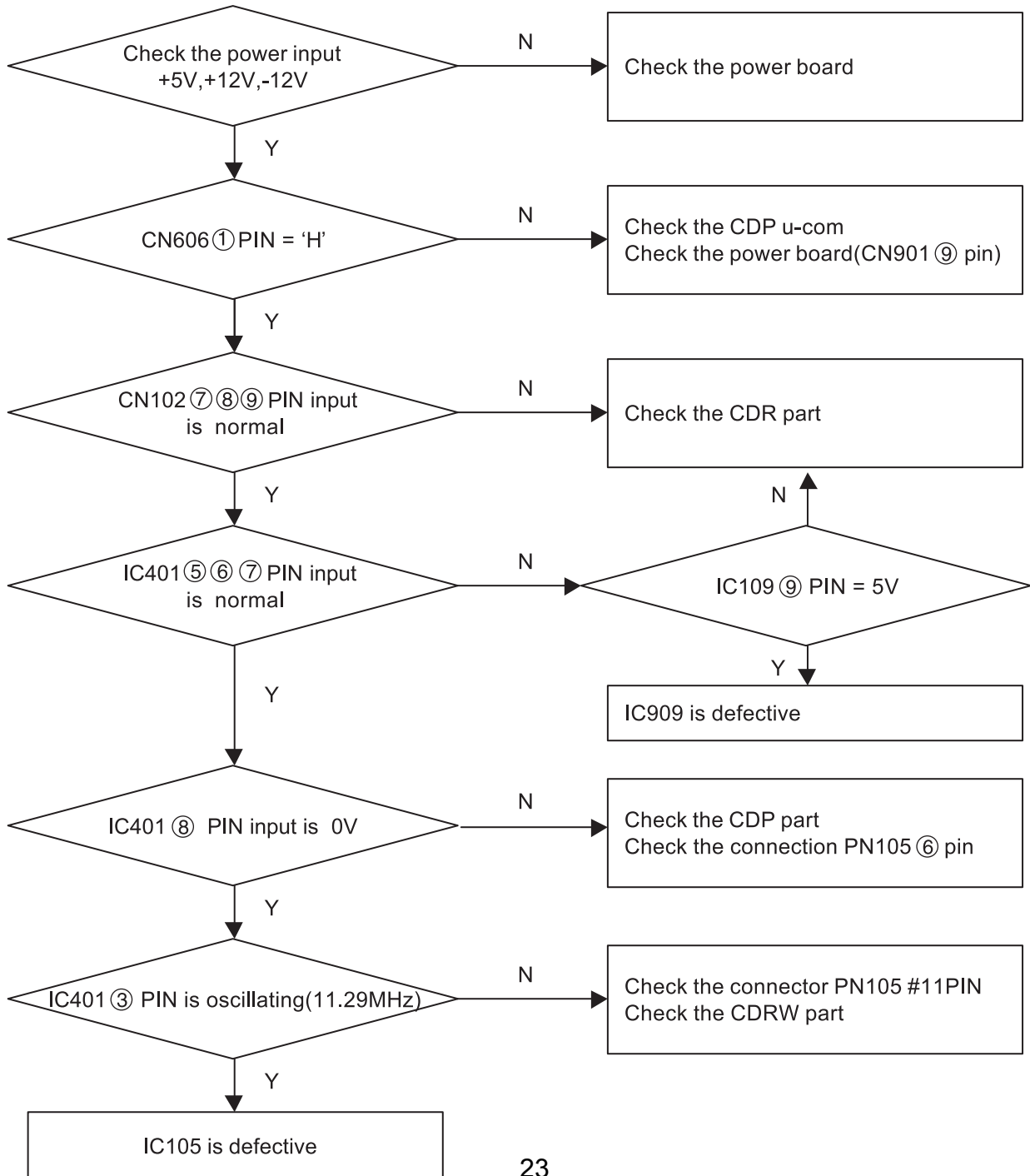
**NO AUDIO(CDP JACK)**

*CURRENT DECK IS CDP*

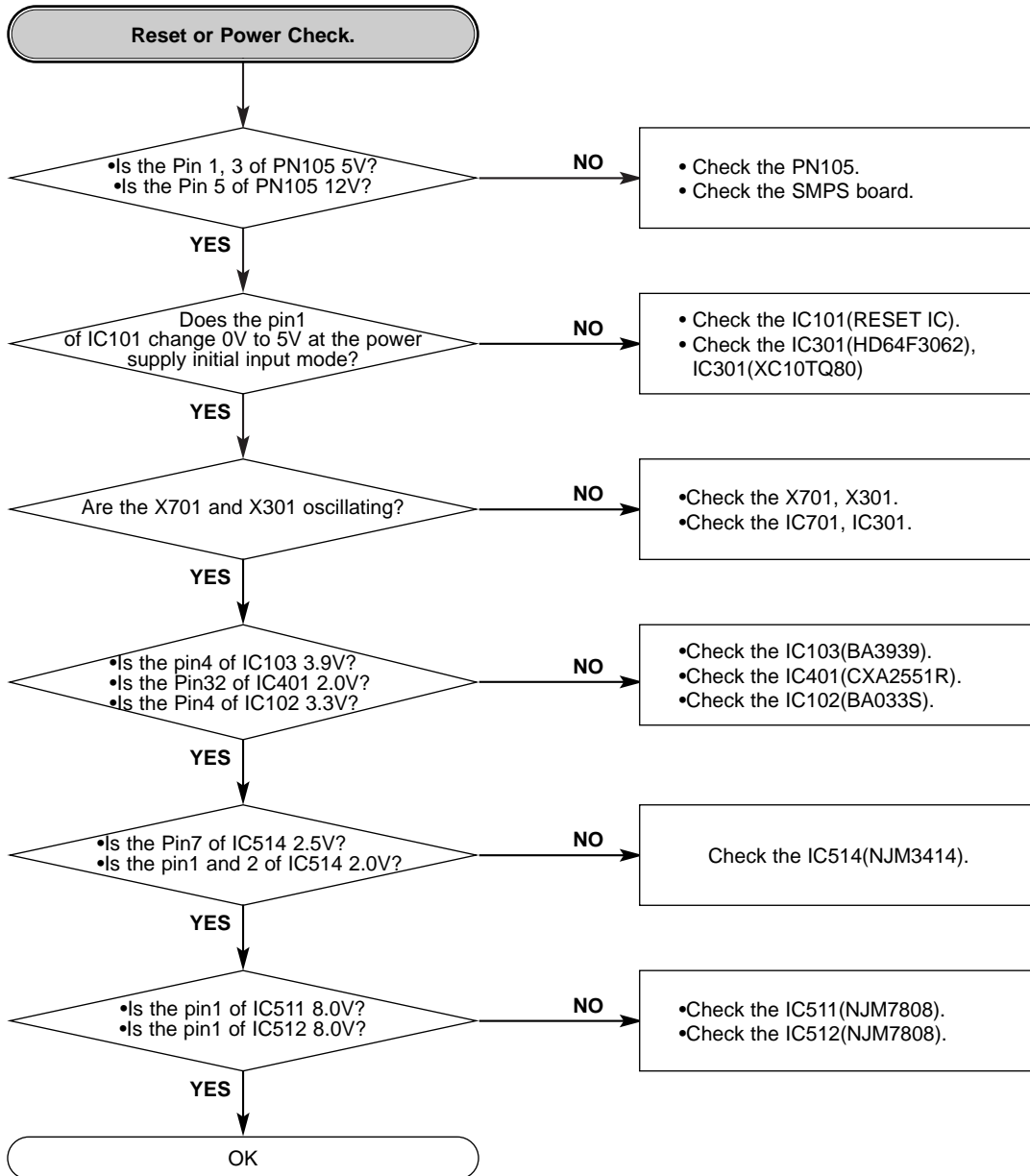


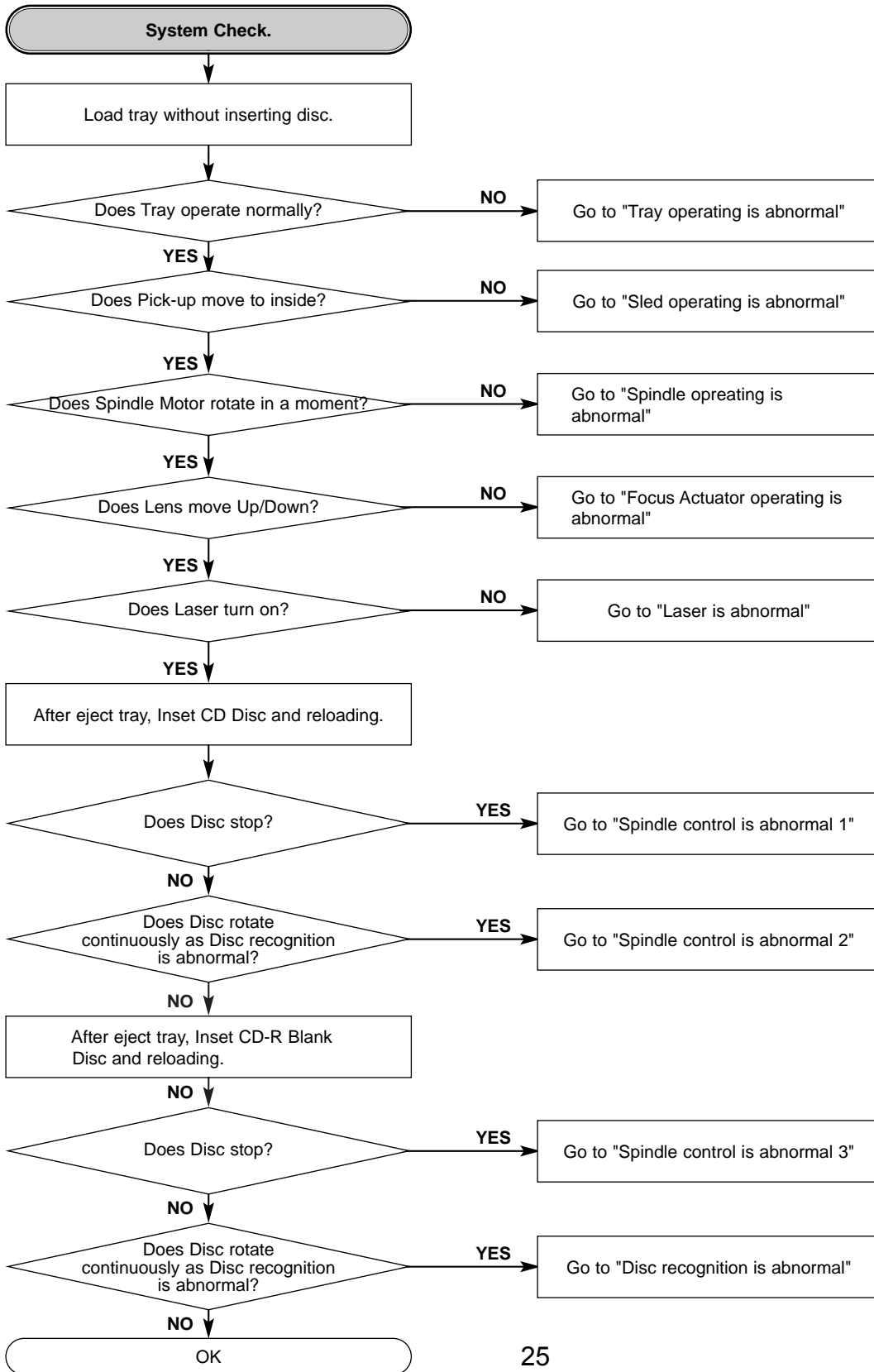
**NO AUDIO(CDP JACK)**

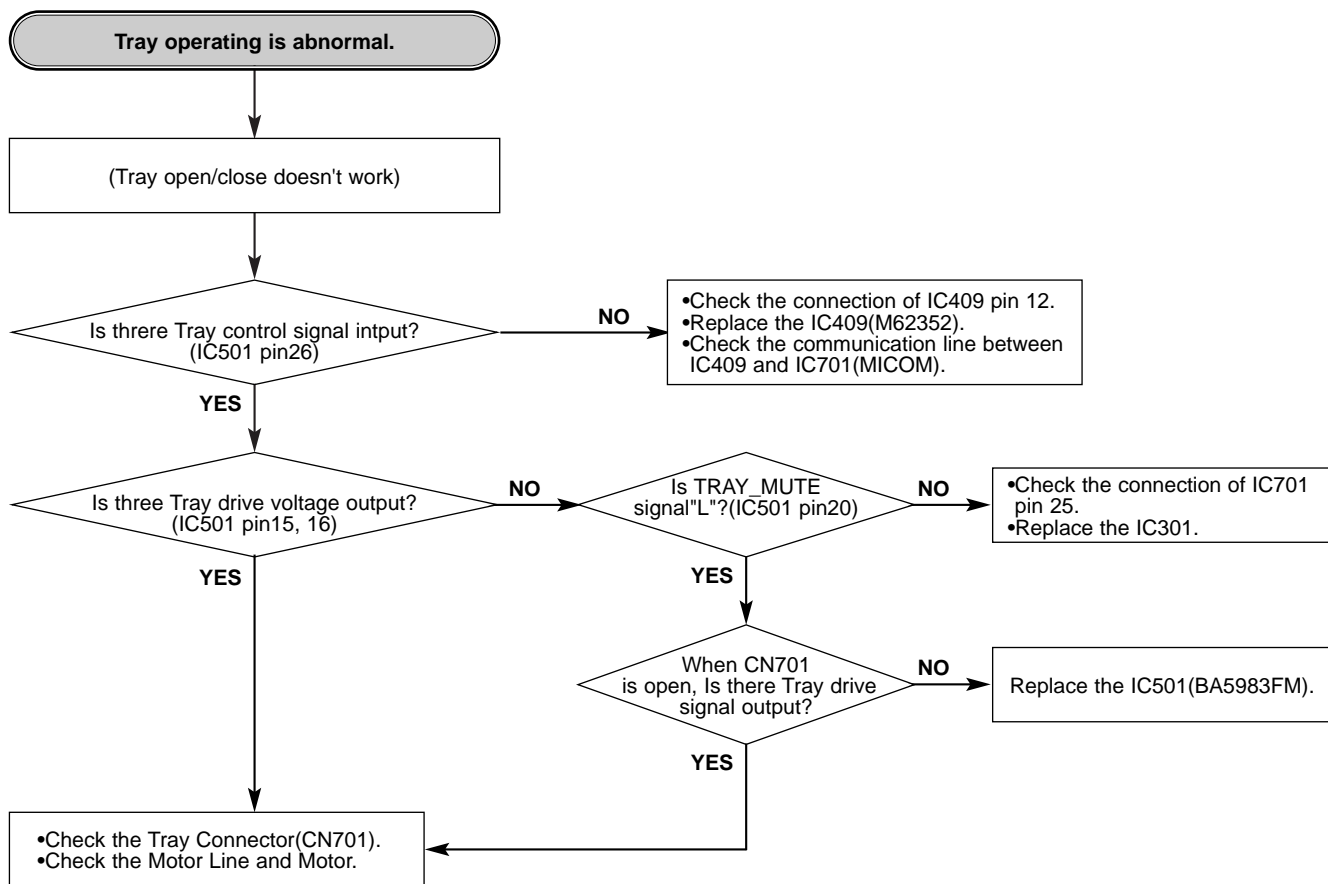
*CURRENT DECK IS CDR*

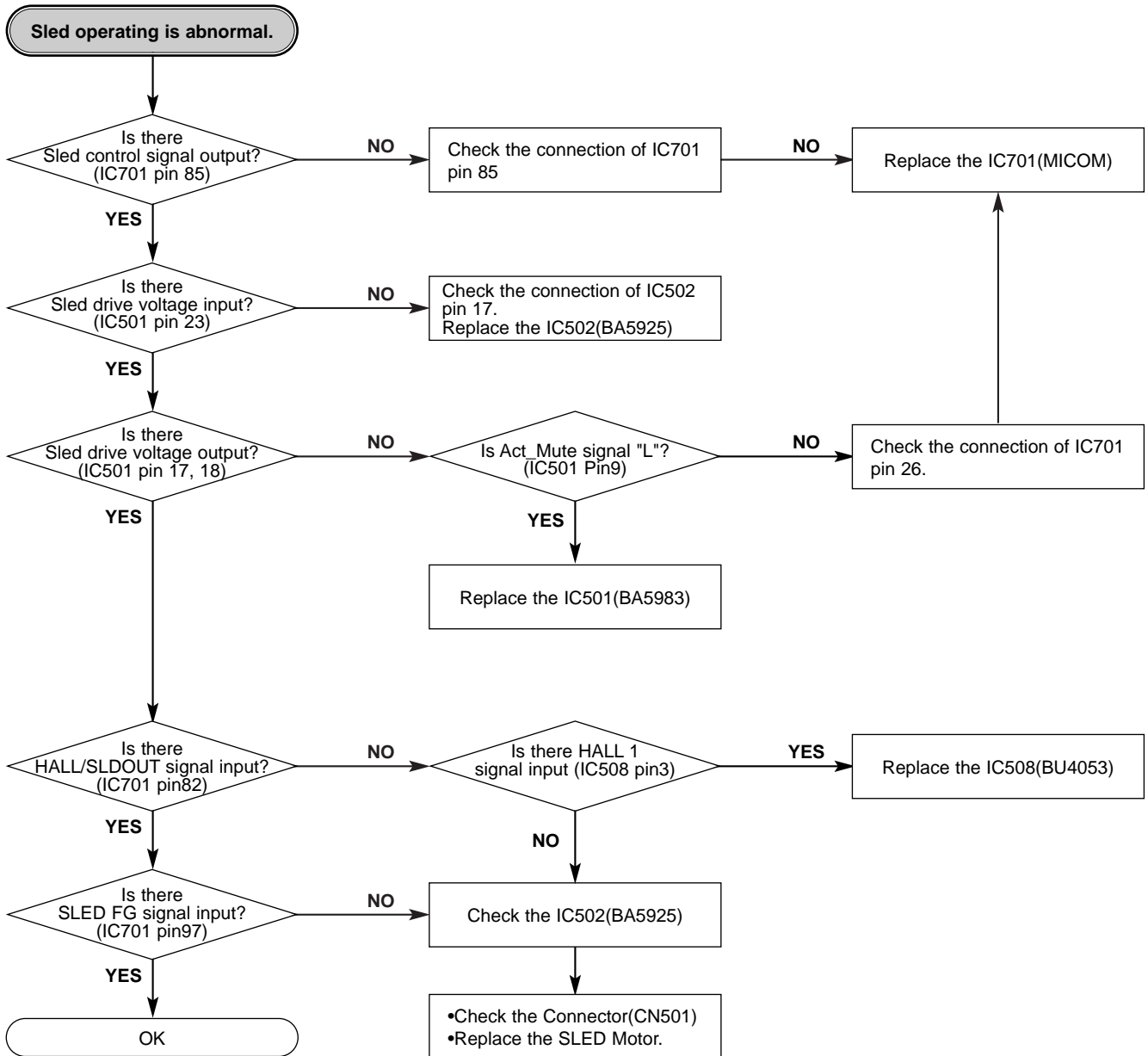


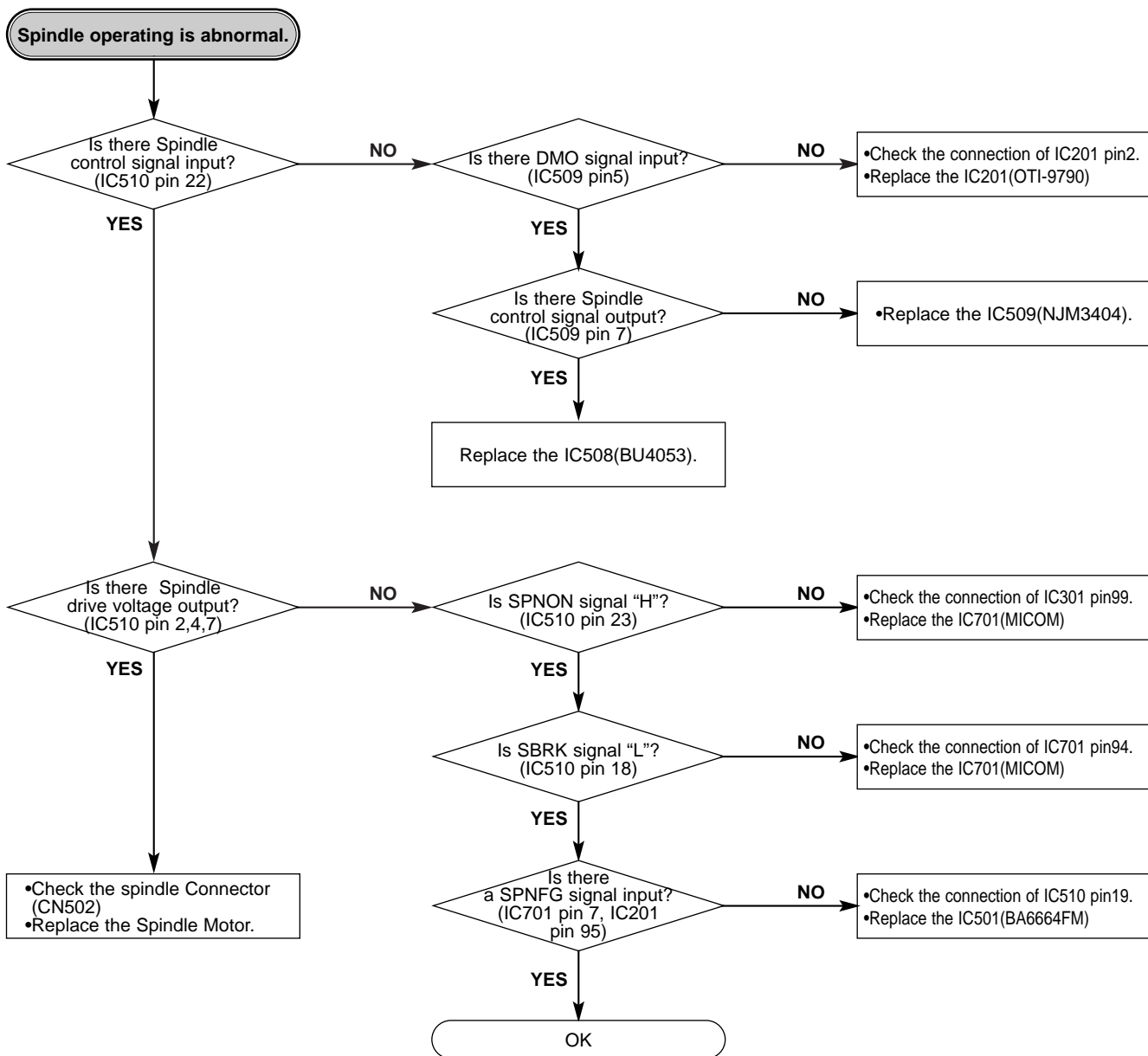
# TROUBLESHOOTING GUIDE FOR CD-RW BOARD



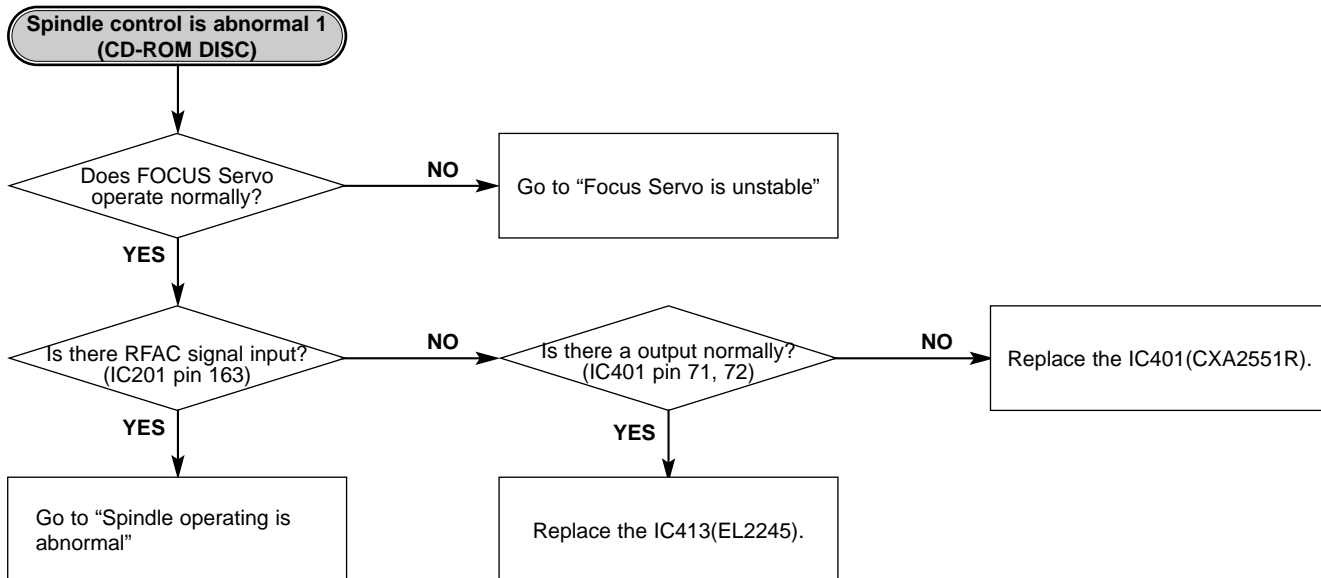
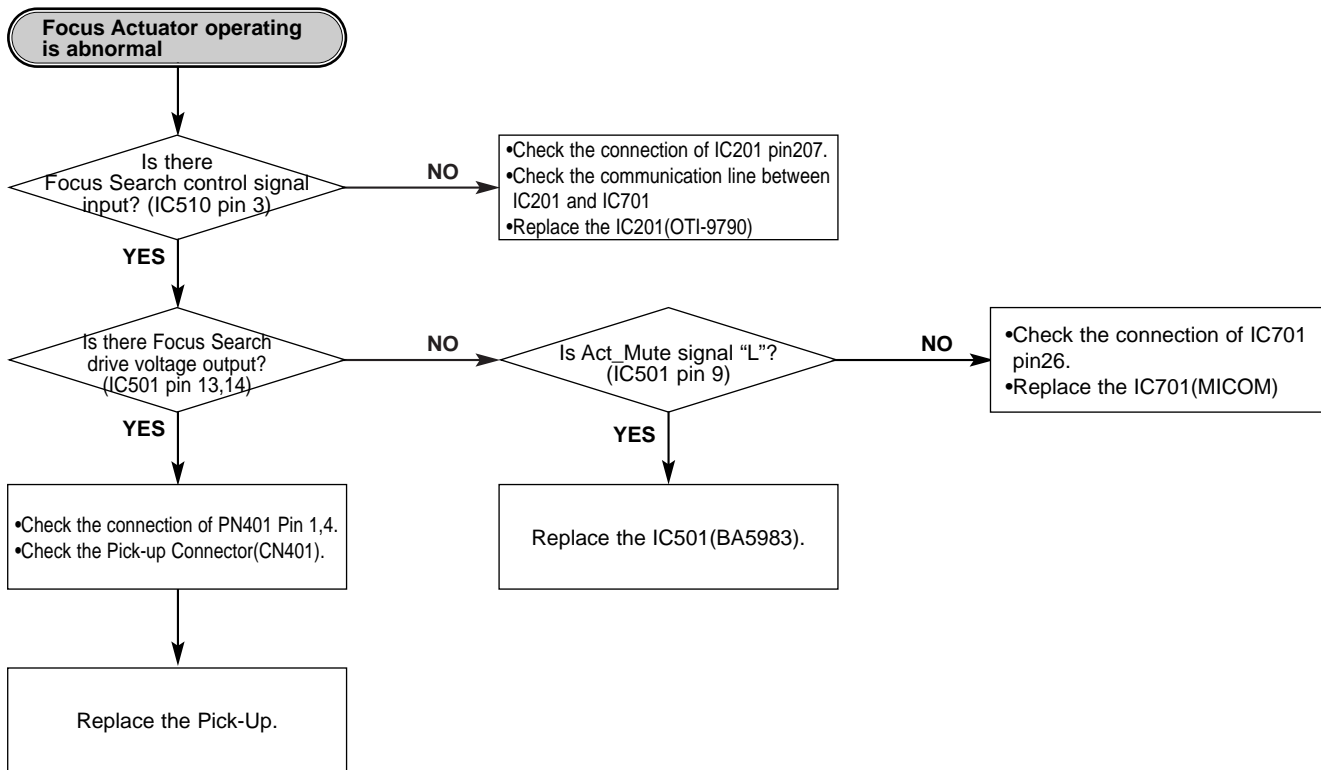


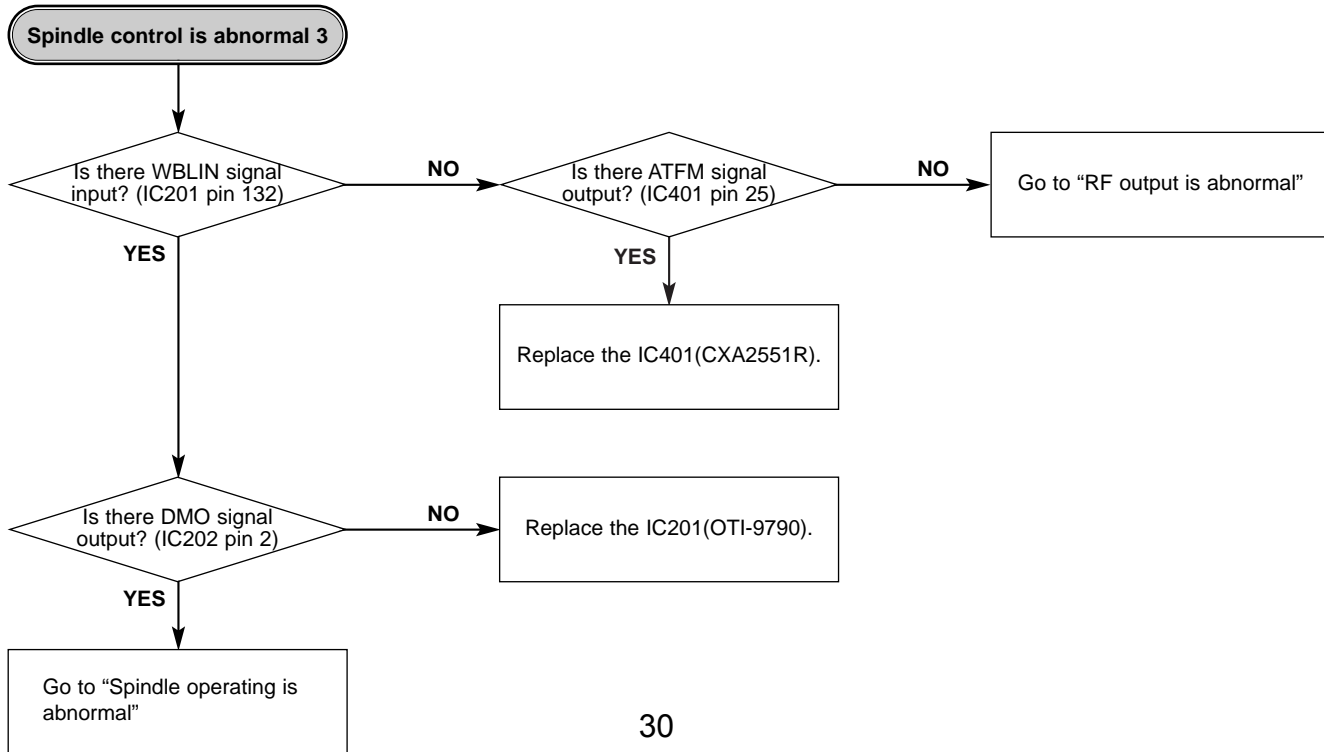
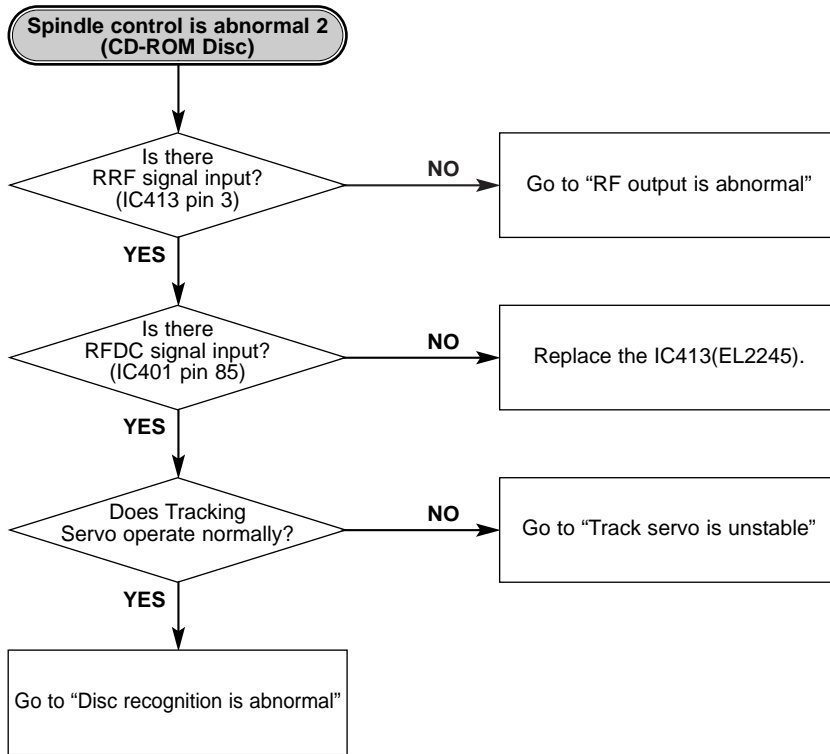


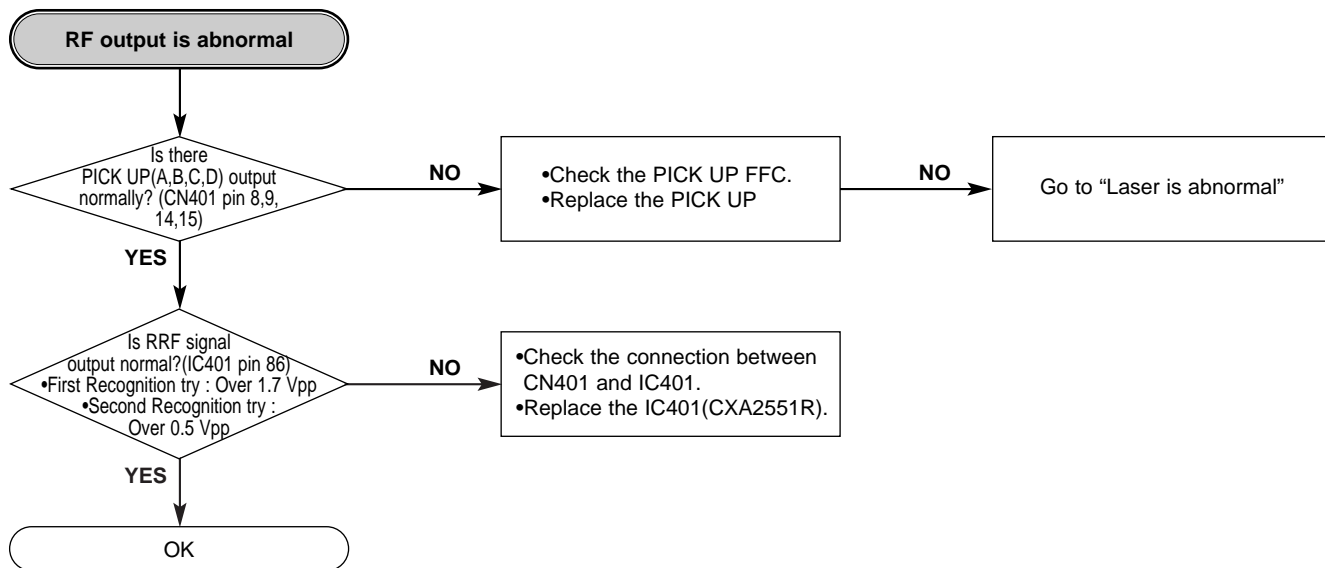
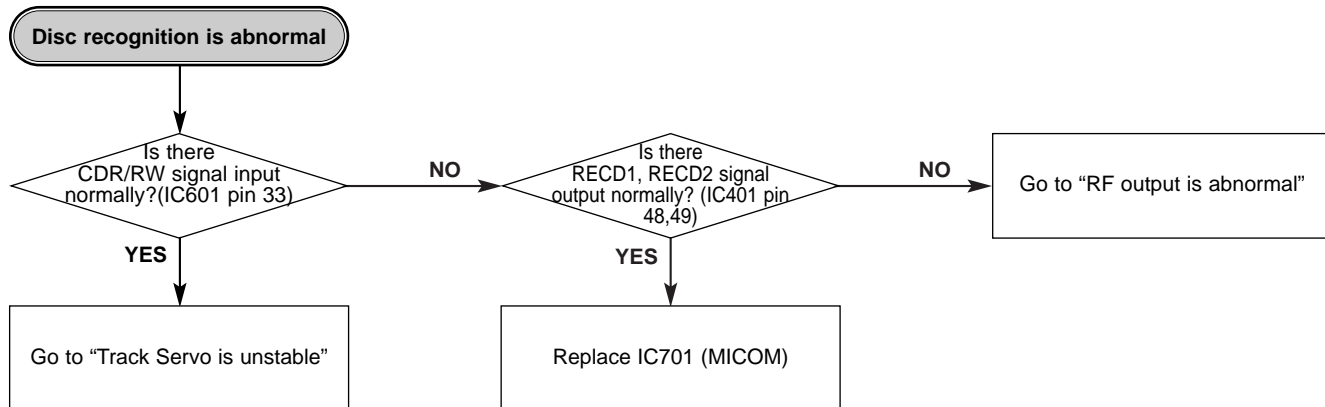


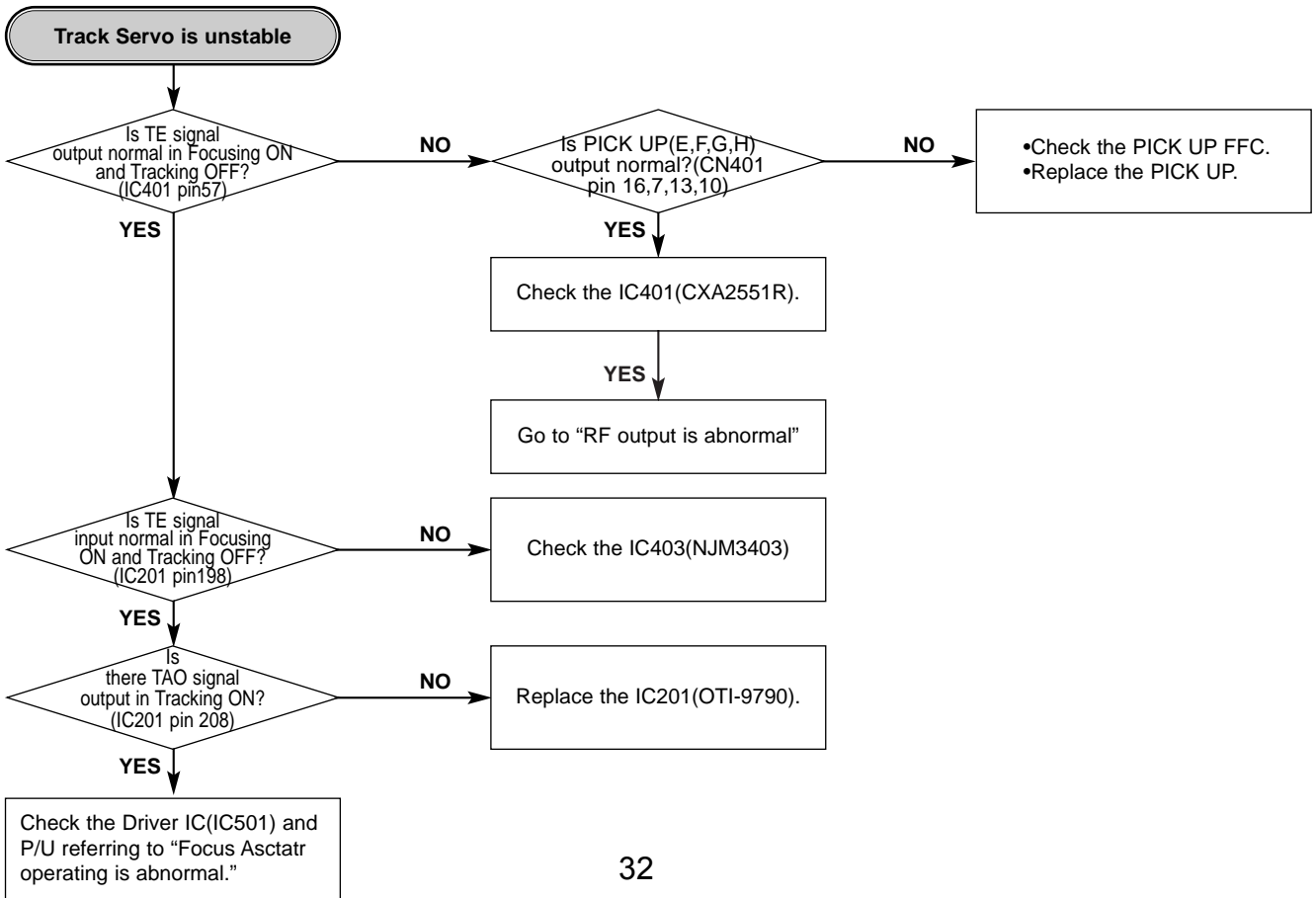
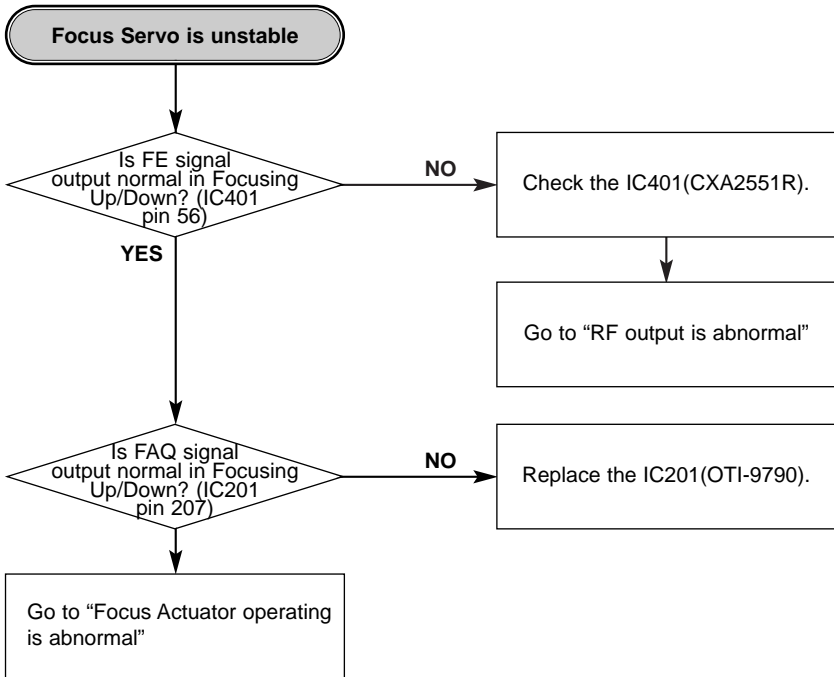




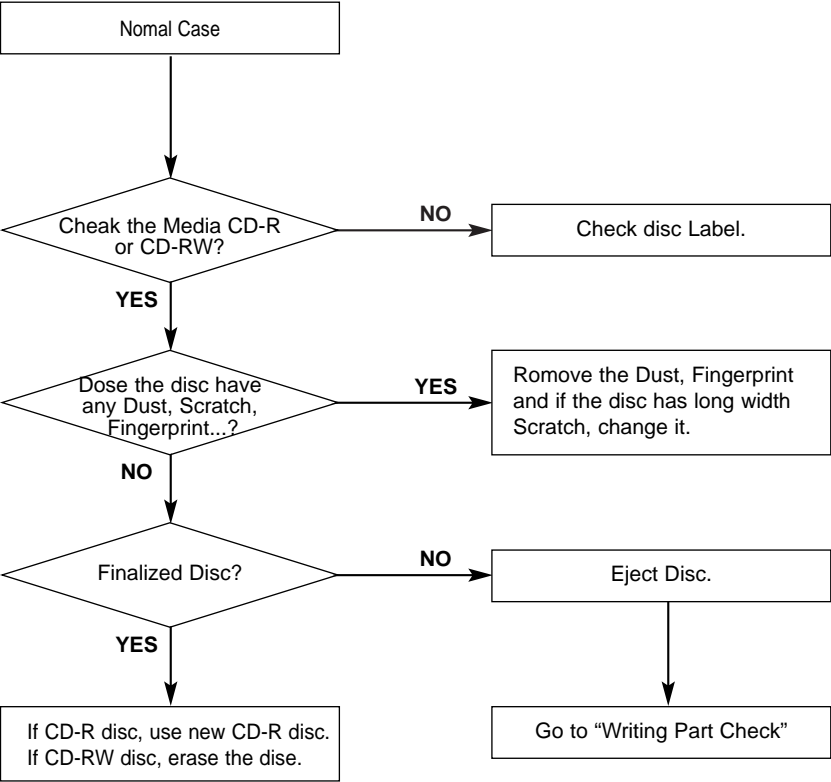


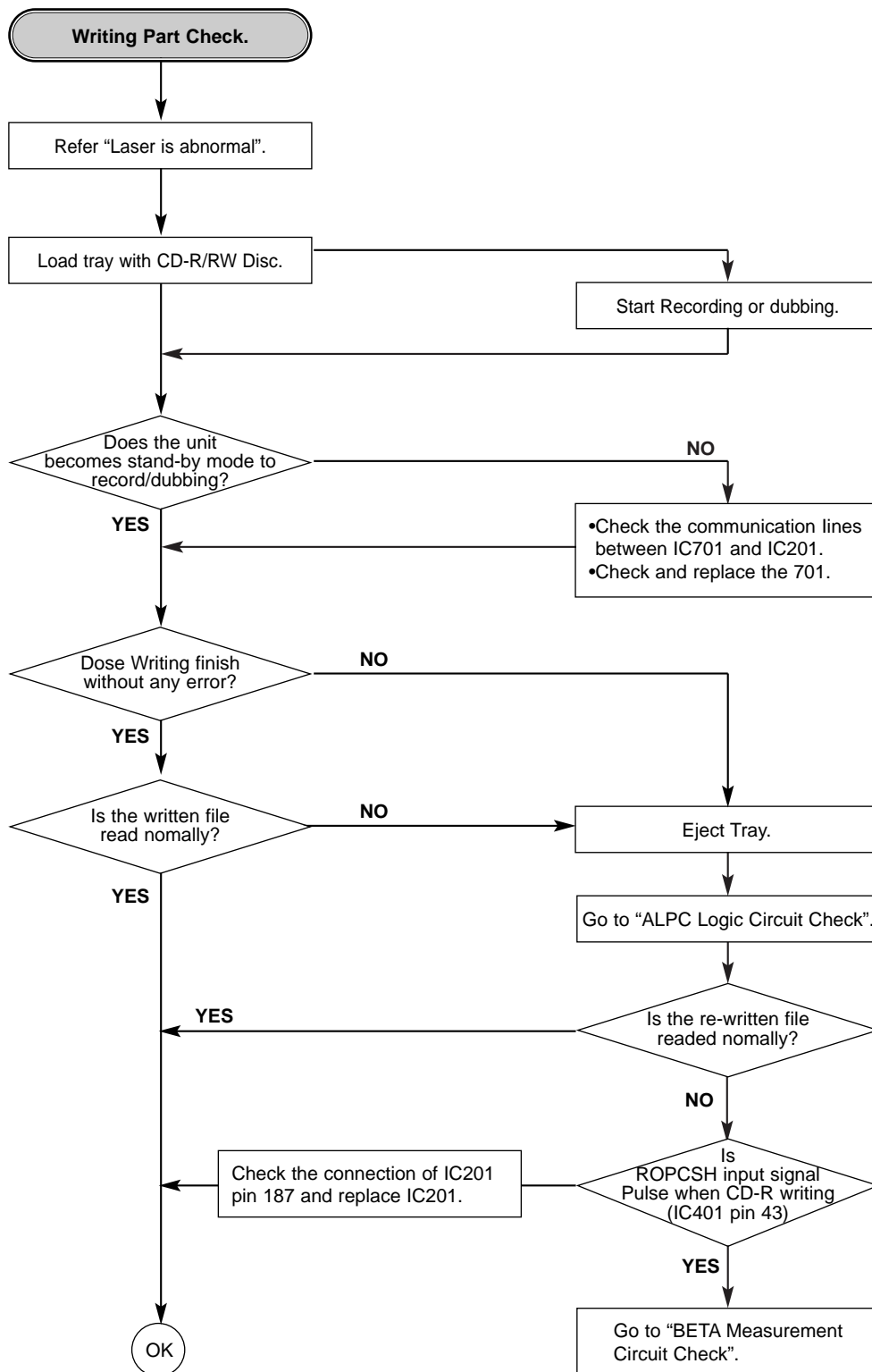


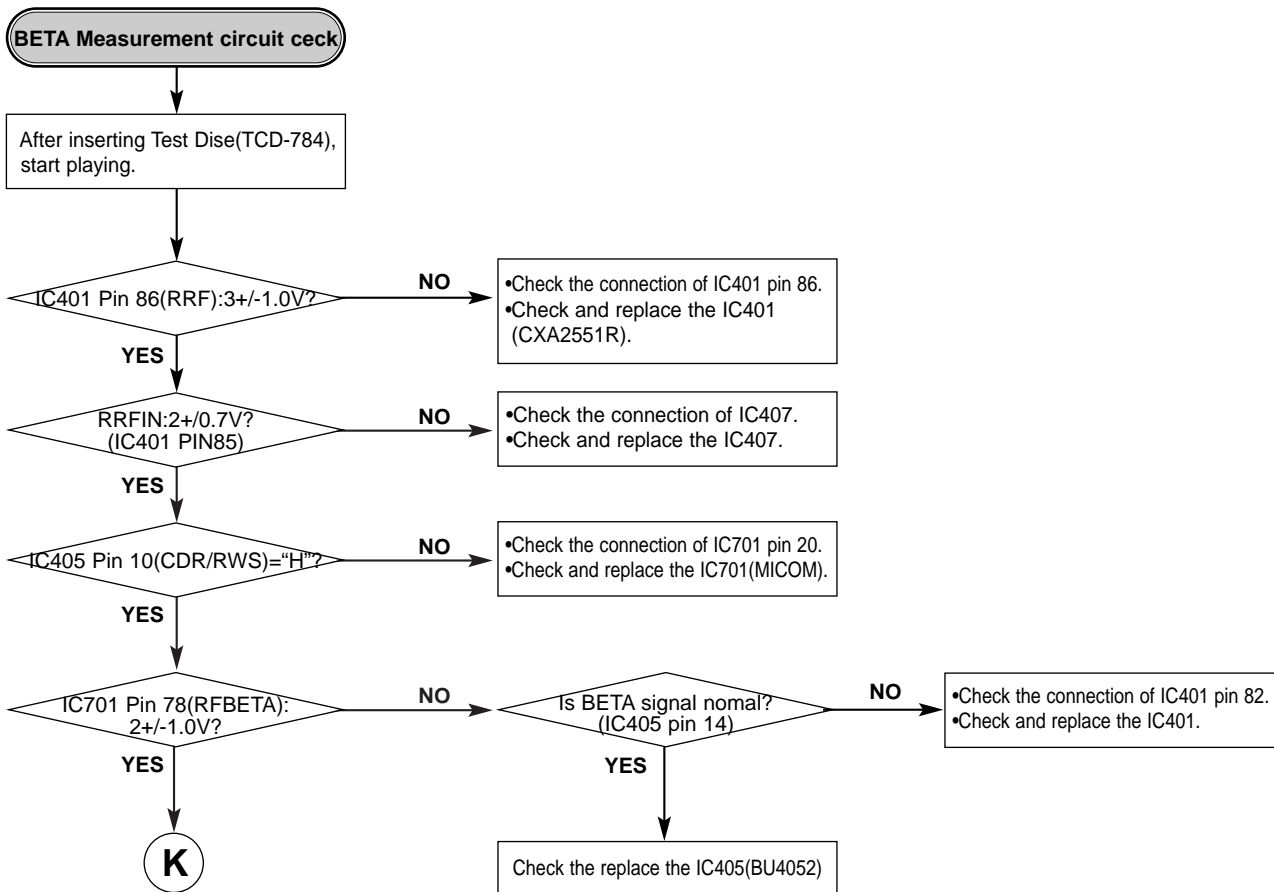


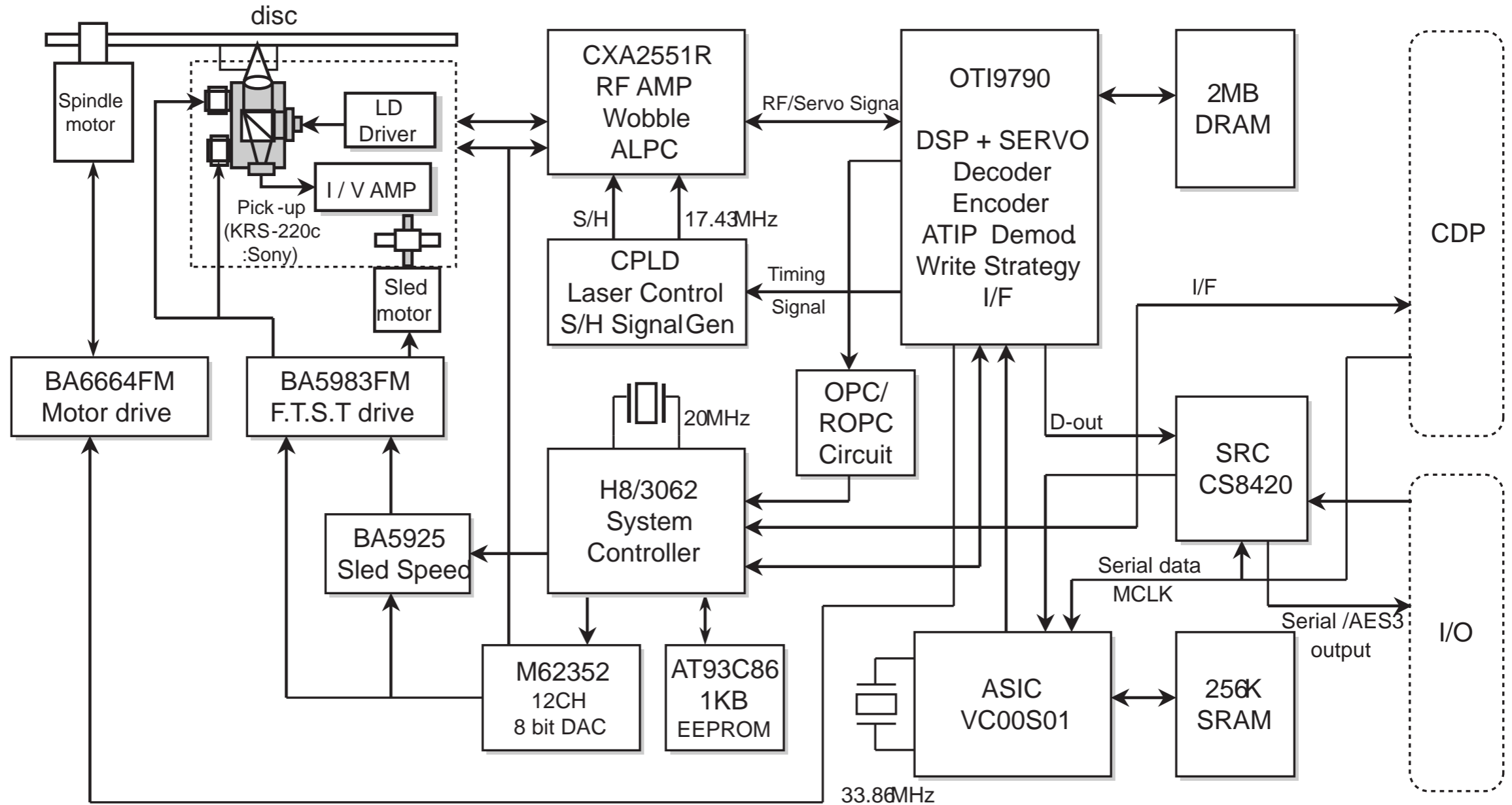


**In case of writing fail.**

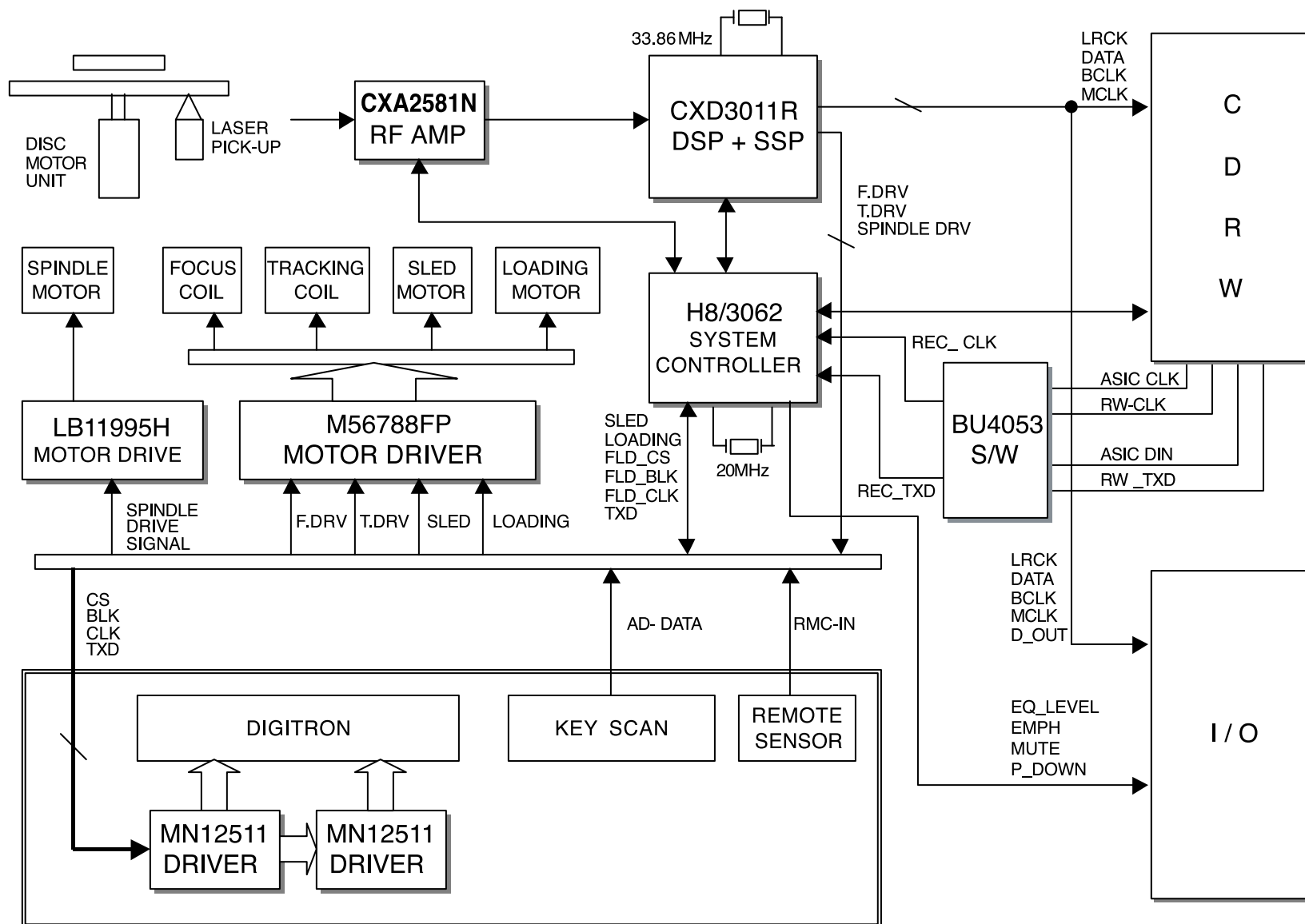


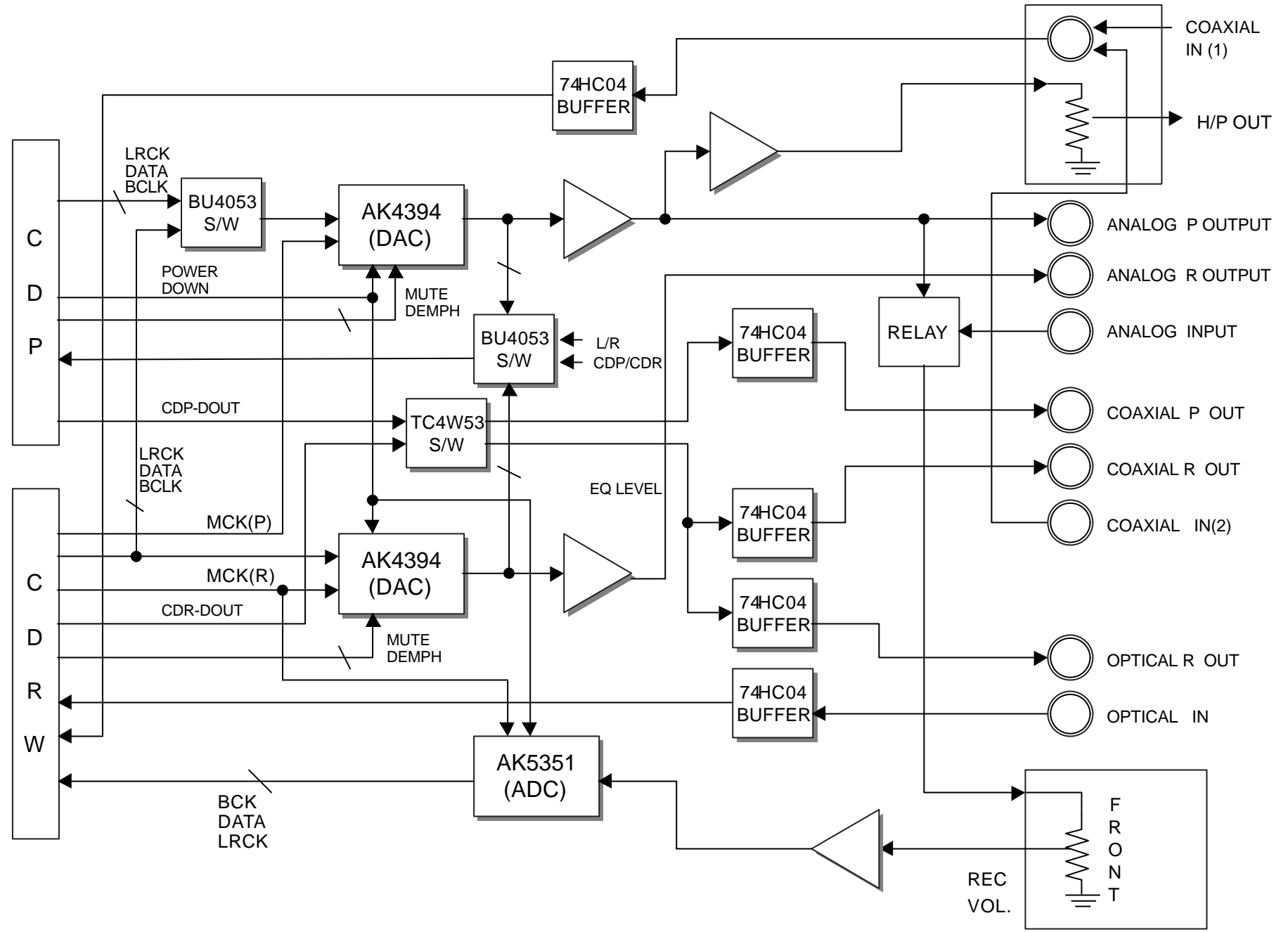


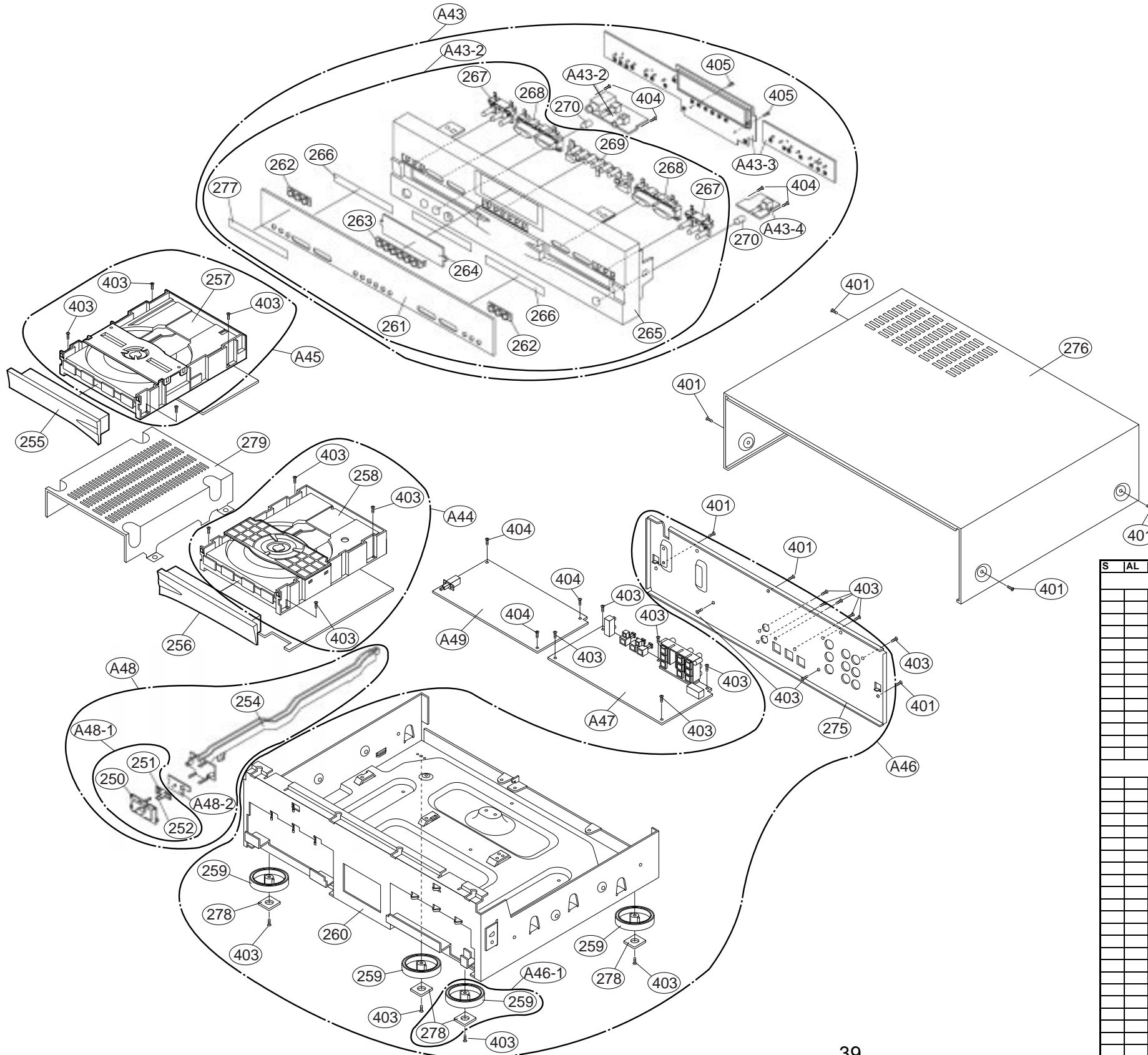




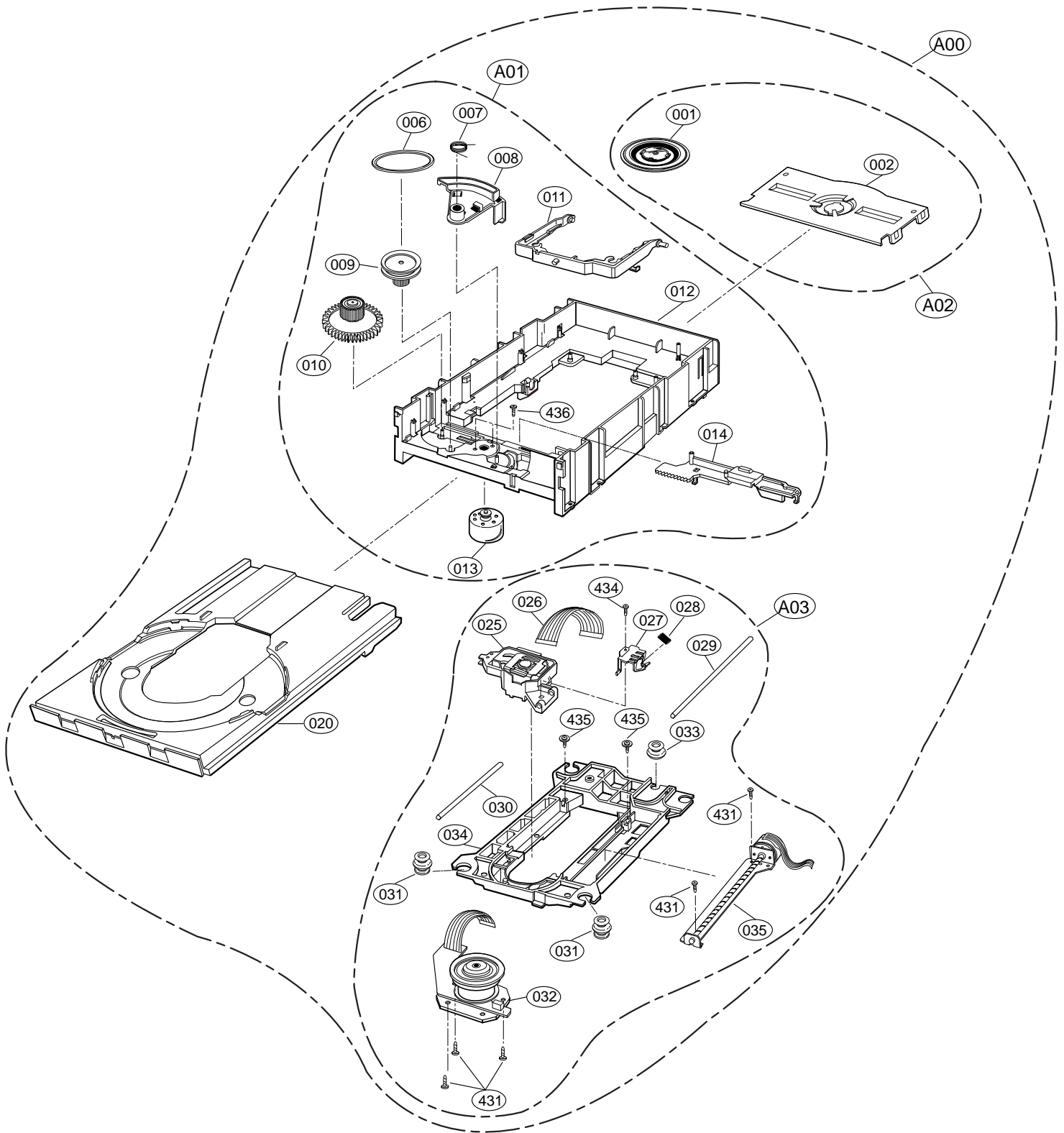


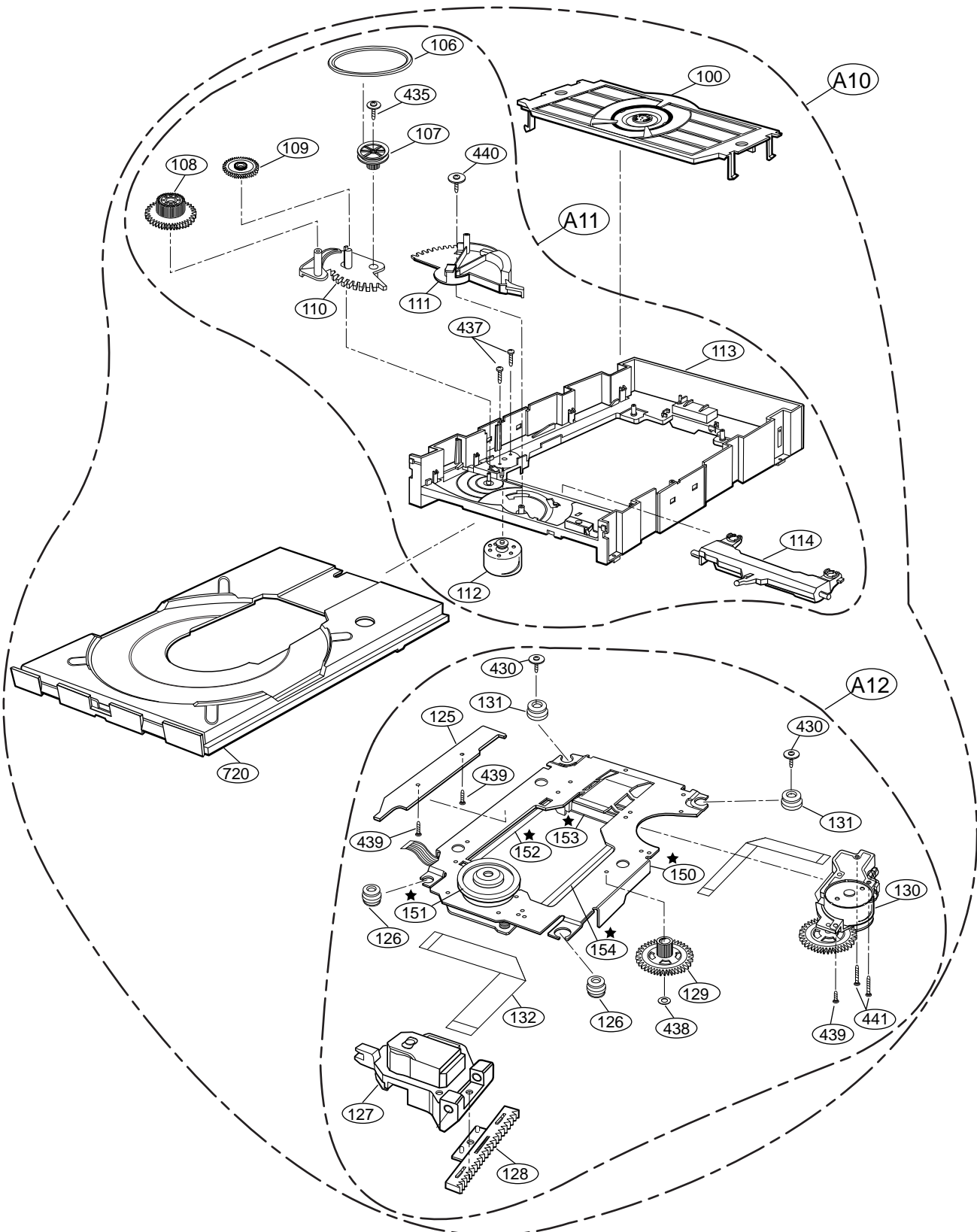






S	AL	LOCA.	PART NO.(LG)	A	DESCRIPTION	SPECIFICATION	REMARKS
<b>ASSEMBLY SECTION</b>							
		A43	3721R-M001C	O	PANEL ASSY,AUDIO	FORNT+PCB(ADR-601.KTH1K)	
		A43-1	3721S-M111B	O	PANEL ASSY.FRONT	ADR-601 KTH1K	
		A43-2	6871RJ1963C	O	PWB(PCB) ASSY,JACK(AUDIO)	AADR600 KTH1 H/P.COXIAL	
		A43-3	6871SF42GAE	O	PWB(PCB) ASSY,FRONT	AADR600 KTH1 EM12	
		A43-4	6871RU0001B	O	PWB(PCB) ASSY.SUBSET(AUDIO)	AADR600 KTH1 REC VOLUME	
		A44	6721R-0311A	O	DECK ASSY,AUDIO	AADR601 E2+PCB	
		A45	6721R-W222A	O	DECK ASSY,AUDIO	AADR601 PCB+Q1	
		A46	3141R-0007S	O	CHASSIS ASSY	MAIN(AADR601.KTH1K)	
		A46-1	3610RB0001A	O	FOOT	BOTTOM ASS'Y(GOLD ADR-600)	
		A47	6871R-3072A	O	PWB(PCB) ASSY,TOTAL	ADR-601 KTH1K I/O	
		A48	4941R-0002A	O	KNOB ASSY	POWER+PCB(ADR-600 KTH1)	
		A48-1	4941RB0001A	O	KNOB ASSY	POWER(ADR-600 KTH1)	
		A48-2	6871RZ1963A	O	PWB(PCB) ASSY.OTHERS	CDR-600 AH1 FRONT POWER LED	
		A49	3501R-3060A	O	BOARD ASSY	ADR-601 SMPS PWB	
<b>PARTS SECTION</b>							
		250	4940S-6939A	O	KNOB	POWER(ADR-600 KTH1)	
		251	3790S-M079A	O	WINDOW	POWER LENS(CDR 2 AH1)	
		252	3300R-X002A	O	PLATE	PET 713F 0.15T P19.9	
		254	4510S-1019A	O	LEVER	POWER(CDR 2)	
		255	3580S-C108B	O	DOOR	PLAY(ADR-600 KTH1 PRINT2)	
		256	3580S-C105B	O	DOOR	ACDR(ADR-600 KTH1 2PRINT)	
		259	3610S-0192A	O	FOOT	BOTTOM(ADR-600 KTH1)	
		260	3140S-P913B	O	CHASSIS	MAIN(ADR-600 KTH1)	
		261	3790S-M072B	O	WINDOW	FRONT(ADR-601 KTH1)	
		262	4350S-0001A	O	RING	3KEY(ADR-600 KTH1)	
		263	4350S-0002A	O	RING	6KEY(ADR-600 KTH1)	
		264	3858S-X170A	O	SHEET (MECH)	FL(CDR 2 AH1)	
		265	3720S-M113A	O	PANEL,FRONT	FRONT(ADR-600 KTH1)	
		266	3858S-X171A	O	SHEET (MECH)	ETC	
		267	4940S-6938A	O	KNOB	PLAY 3K(ADR-600 KTH1)	
		268	4940S-6937A	O	KNOB	SEESAW 4K(ADR-600 KTH1)	
		269	4940S-6940A	O	KNOB	REC 8K(ADR-600 KTH1)	
		270	4940S-6941A	O	KNOB	VOLUME(ADR-600 KTH1)	
		275	3720S-P014K	O	PANEL	BACK(ADR601. KTH1)	
		276	3140S-P911C	O	CHASSIS	TOP(ADR-600KTH1 HARMAN)	
		277	3846S-0208A	O	MARK	HARMAN KARDON BADGE	
		278	4766R-0003A	O	FELT	FOOT(19.7*19.7)	
		279	3550S-1027B	O	COVER	RW DECK(AIR VENT ADR-600 KTH1)	
		300	6410RAHS02A	O	POWER CORD	AP-10W NI SP2 CORE 80 STP SANG	





# SECTION 5 REPLACEMENT PARTS LIST

A : CDR 20 KTH1K

RUN : 2000.10.28

## . Mechanical Section

NSP : Not Service Parts

S	AL	LOCA.	PART NO.(LG)	A	DESCRIPTION	SPECIFICATION	REMARKS
<b>ASSEMBLY SECTION</b>							
		A00	6721R-0301A	O	DECK ASSY,VIDEO	ACDR(Q1,PLYER)	
		A01	4405H-1064A	O	MECHANISM ASSY	MAIN LOADING(GM-RT1332A)	
		A02	4931R-0033A	O	HOLDER ASSY	CLAMP(Q1,ACDR)	
		A03	4405R-D001A	O	MECHANISM ASSY	PU UNIT	
		A10	6721R-0302B	O	DECK ASSY,VIDEO	ACDR(E5,RECORDER)	
		A11	4405H-1070C	O	MECHANISM ASSY	LOADING(GM-WT1524A,HORIZON	
		A12	4405R-D001B	O	MECHANISM ASSY	ACDR PU UNIT(E5)	
<b>PARTS SECTION</b>							
		001	4861R-0004A	O	CLAMP ASSY	Q1 & E2 ACDR	
		002	4930H-1061A	O	HOLDER	CLAMP(GM-RT1332A)	
		006	4400H-1009A	O	BELT	GM-RT1332A	
		007	4970H-1087A	O	SPRING	LEVER SWITCH (GM-RT1332A)	
		008	4510H-1033A	O	LEVER	SWITCH(Q1)	
		009	4560H-1015A	O	PULLEY	GEAR (Q1)	
		010	4470H-1115A	O	GEAR	LOADING(Q1)	
		011	3040H-1056A	O	BASE	UP/DOWN(Q1)	
		012	3040H-1055A	O	BASE	MAIN (Q1)	NSP
		013	4681H-1024A	O	MOTOR ASSY	LOADING(H1 TO V3)	
		014	4974H-1034A	O	GUIDE	UP/DOWN(Q1)	
		020	3390H-1016C	O	TRAY	DISC (IBM, BLACK)	
		025	6716S-E001A	O	PICK UP	SF-P151EXVA SANYO ACDR	
		026	6850HD1L16A	O	CABLE,FLEXIBLE	2896-A-1.0-17(05*65)160 BANDO	
		027	4974H-1039A	O	GUIDE	FEED (Q1, MATSUSHITA)	
		028	4970H-1086A	O	SPRING	FEED(GM-RT1332A)	
		029	4370H-1024C	O	SHAFT	P/U (R,GM-RT1332A)	
		030	4370H-1025B	O	SHAFT	P/U (L,GM-RT1332A)	
		031	5040H-1053A	O	RUBBER	GM-RT1332A (F)	
		032	4680HB1019A	O	MOTOR(MECH)	GCS-L32A LGEC SPINDLE	
		033	5040H-1052A	O	RUBBER	GM-RT1332A(R)	
		034	3040H-1057A	O	BASE	P/U(Q1)	
		035	4680HP5002B	O	MOTOR(MECH)	15S1R10F6NC3 MATSUSHITA STEPPI	
		100	4861H-0008A	O	CLAMP ASSY	GM-WT1524A	
		106	4400H-1003A	O	BELT	GM-R512	
		107	4560H-1004A	O	PULLEY	GEAR	
		108	4470H-1015A	O	PULLEY	GEAR, LOADING(GM-R512)	
		109	4470H-1016A	O	PULLEY	GEAR, MIDDLE(GM-R512)	
		110	4974H-1018A	O	GUIDE	PLATE	
		111	3040H-1059A	O	BASE	UP/DOWN(E2)	
		112	4681H-1024A	O	MOTOR ASSY	LOADING(H1 TO V3)	
		113	3040H-1035B	O	BASE	MAIN(E2)	
		114	4974H-1023A	O	GUIDE	UP/DOWN(K1)	
		120	3390H-1011D	O	TRAY	DISC(E2/HORIZONTAL/BLACK)	
		125	4810H-1042A	O	BRACKET	WEIGHT BALANCER	
		126	5040H-1055B	O	RUBBER	FRONT(E4)	
		127	6716R-E002A	O	PICK UP	KRS-220C SONY 4RWX4RX32CD	
		128	4471H-0003A	O	GEAR ASSY	RACK(E2)	
		129	4471H-0004A	O	GEAR ASSY	PINION(E2)	
		130	4405H-1084B	O	MECHANISM ASSY	SLED UNIT(E3,NEW HALL PCB)	
		131	5040R-0047A	O	RUBBER	REAR(E2,5040H-1054A),YAMAUCHI	
		150	3140H-1010A	O	CHASSIS	P/U(E2)	NSP
		151	4680HB1034A	O	MOTOR(MECH)	GRS-R02A LGP SPINDLE	NSP
		152	4370H-1078A	O	SHAFT	P/U(L/CD-RW)	NSP
		153	4930H-1075A	O	HOLDER	FFC (E4)	NSP
		154	4370H-1079A	O	SHAFT	P/U(R/CD-RW)	NSP
<b>SCREW&amp;WASHER</b>							
		401	353-633A	O	SCREW	TAPTITE 4X8 BK S-TYPE	
		403	353-046K	O	SCREW	SPECIAL (3X10 B.K)	

RUN : 2000.10.28

NSP : Not Service Parts

S	AL	LOCA. #	PART NO.(LG)	A	DESCRIPTION	SPECIFICATION	REMARKS
		404	353-051AAAA	O	SCREW	TAP/T,WASHER 3X10 FZY,H/D:9.5	
		404	353-051AAAA	O	SCREW	TAP/T,WASHER 3X10 FZY,H/D:9.5	
		405	353-051A	O	SCREW	SPECIAL	
		431	1SZZH-1007B	O	SCREW,	+ D2.0 6MM SWRCH16A/ZNBK 4MM 1	
		434	1SZZH-1011B	O	SCREW	+ D1.7 6MM SWRCH16A/NIY 3.5MM	
		435	1SZZH-1004A	O	SCREW,	+ D1.7 5MM SWRCH16A/ZNY 3.5MM	
		436	4000H-1006B	O	SCREW	+ D1.7 4.5MM SWRCH16A/ZNY 4MM	
		437	4000H-1006A	O	SCREW,	+ D1.7 4MM SWRCH16A/ZNBK 3MM 0	
		438	1WZZH-1009A	O	WASHER	BLACK Y POLY N	
		440	1SZZH-1011A	O	SCREW,	+ D1.7 7MM SWRCH16A/ZNY 3MM 0.	
		441	1SZZH-1005A	O	SCREW	+ D1.7 5MM SWRCH16A/NIY 3MM 0.	

## . Cabinet &amp; Main Frame Section

## ASSEMBLY SECTION

		A43	3721R-M001C	O	PANEL ASSY,AUDIO	FORNT+PCB(ADR-601.KTH1K)	
		A43-1	3721S-M111B	O	PANEL ASSY,FRONT	ADR-601 KTH1K	
		A43-2	6871RJ1963C	O	PWB(PCB) ASSY,JACK(AUDIO)	AADR600 KTH1 H/P,COXIAL	
		A43-3	6871SF42GAE	O	PWB(PCB) ASSY,FRONT	AADR600 KTH1 EM2	
		A43-4	6871RU0001B	O	PWB(PCB) ASSY,SUBSET(AUDIO)	AADR600 KTH1 REC VOLUME	
		A44	6721R-0311A	O	DECK ASSY,AUDIO	AADR601 E2+PCB	
		A45	6721R-W222A	O	DECK ASSY,AUDIO	AADR601 PCB+Q1	
		A46	3141R-0007S	O	CHASSIS ASSY	MAIN(AADR601.KTH1K)	
		A46-1	3610RB0001A	O	FOOT	BOTTOM ASS"Y(GOLD ADR-600)	
		A47	6871R-3072A	O	PWB(PCB) ASSY,TOTAL	ADR-601 KTH1K I/O	
		A48	4941R-0002A	O	KNOB ASSY	POWER+PCB(ADR-600 KTH1)	
		A48-1	4941RB0001A	O	KNOB ASSY	POWER(ADR-600 KTH1)	
		A48-2	6871RZ1963A	O	PWB(PCB) ASSY,OTHERS	CDR-600 AH1 FRONT POWER LED	
		A49	3501R-3060A	O	BOARD ASSY	ADR-601 SMPS PWB	

## PARTS SECTION

		250	4940S-6939A	O	KNOB	POWER(ADR-600 KTH1)	
		251	3790S-M079A	O	WINDOW	POWER LENS(CDR 2 AH1)	
		252	3300R-X002A	O	PLATE	PET 713F 0.15T P19.9	
		254	4510S-1019A	O	LEVER	POWER(CDR 2)	
		255	3580S-C108B	O	DOOR	PLAY(ADR-600 KTH1 PRINT2)	
		256	3580S-C105B	O	DOOR	ACDR(ADR-600 KTH1 2PRINT)	
		259	3610S-0192A	O	FOOT	BOTTOM(ADR-600 KTH1)	
		260	3140S-P913B	O	CHASSIS	MAIN(ADR-600 KTH1)	
		261	3790S-M072B	O	WINDOW	FRONT(ADR-601 KTH1)	
		262	4350S-0001A	O	RING	3KEY(ADR-600 KTH1)	
		263	4350S-0002A	O	RING	6KEY(ADR-600 KTH1)	
		264	3858S-X170A	O	SHEET (MECH)	FL(CDR 2 AH1)	
		265	3720S-M113A	O	PANEL,FRONT	FRONT(ADR-600 KTH1)	
		266	3858S-X171A	O	SHEET (MECH)	ETC	
		267	4940S-6938A	O	KNOB	PLAY 3K(ADR-600 KTH1)	
		268	4940S-6937A	O	KNOB	SEESAW 4K(ADR-600 KTH1)	
		269	4940S-6940A	O	KNOB	REC 8K(ADR-600 KTH1)	
		270	4940S-6941A	O	KNOB	VOLUME(ADR-600 KTH1)	
		275	3720S-P014K	O	PANEL	BACK(ADR601. KTH1)	
		276	3140S-P911C	O	CHASSIS	TOP(ADR-600KTH1 HARMAN)	
		277	3846S-0208A	O	MARK	HARMAN KARDON BADGE	
		278	4766R-0003A	O	FELT	FOOT(19.7*19.7)	
		279	3550S-1027B	O	COVER	RW DECK(AIR VENT ADR-600 KTH1)	
		300	6410RAHS02A	O	POWER CORD	AP-10W NI SP2 CORE 80 STP SANG	

## . Packing Accessory Section

		801	3829RDK006D	O	MANUAL ASSY	ADR-600N(CDR 20) USA 5CARD+O/M	
		802	3890S-C093Y	O	BOX	AADR601 HARMAN DW2 561/456/198	
		803	3920R-0087A	O	PACKING	ADR-600 0.02 400 EPS 6 660 132	
		804	292-053D	O	BAG	LVP-1	NSP
		808	534-002C	O	BATTERY	1.5V AAM UM-3 LOL 1PAIR	
		850	3008R-0004A	O	DISK	CD-R HARMAN KARDON(2ND)	
		851	564-036D	O	PLUG CONTACT CORD,PHONE	PHONE 1.5MZ 1185#26	
		852	564-036J	O	CORD	DIGIATL 1.5M 1365#30 ORANGE N	
		853	6852R-N001A	O	CORD	1.5M NAMIL REMOTE CONTROL FO	

## . Remote Control Section

		900	6711R1Z017B	O	REMOTE CONTROLLER ASSY	HANHGO 43KEY ACDR CDR20RC	
--	--	-----	-------------	---	------------------------	---------------------------	--

A : CDR 20 KTH1K

## . Electrical Section

RUN : 2000.10.28

S	AL	LOCA. NO.	PART NO.(LG)	A	DESCRIPTION	SPECIFICATION
<b>CAPACITOR</b>						
		C249	0CH1104K946	O	CAPA,CHIP CERAMIC M/L H.D F/S	0.1UF 50V Z Y5V(F) 2012 R/TP
		C101	0CE4766J618	O	CAPACITOR,ELECTROLYTIC	47M SMS 35V M FM(5) TP(5)
		C101	0CH1104K942	O	CAPACITOR,CHIP[CERAMIC M/L HD	0.1UF 50V Z Y5V(F) 1508 R/TP
		C101	0CHZS-0001B	O	CAPACITOR,CHIP	GRM39X7R103K50C500 PT266 MURAT
		C102	0CH1102K566	O	CAPACITOR,CHIP[CERAMIC M/L HD	1000PF 50V K X7R(X) 2012 R/TP
		C102	0CH1104K942	O	CAPACITOR,CHIP[CERAMIC M/L HD	0.1UF 50V Z Y5V(F) 1508 R/TP
		C102	0CH8107C621	O	CAPACITOR,CHIP[AL. ELECTROLYTI	100UF 6.3V M 85STD(CYL) R/TP
		C103	0CE4756K618	O	CAPACITOR,ELECTROLYTIC	4.7M SMS 50V M FL TP(5)
		C103	0CH1105D942	O	CAPACITOR,CHIP[CERAMIC M/L HD	1UF 10V Z Y5V(F) 1508 R/TP
		C103	0CH7106F621	O	CAPACITOR,CHIP[TANTALUM]	10UF 16V M 3528MM TP(-)
		C104	0CH1102K566	O	CAPACITOR,CHIP[CERAMIC M/L HD	1000PF 50V K X7R(X) 2012 R/TP
		C104	0CH7106C611	O	CAPA,CHIP TANRALUM	10UF 6.3V M 3216 TP(-)
		C105	0CH1104K946	O	CAPA,CHIP CERAMIC M/L H.D F/S	0.1UF 50V Z Y5V(F) 2012 R/TP
		C105	0CH8107F621	O	CAPA,CHIP AL.ELECTROLYTIC	100UF 16V M 6666 R/TP
		C105	0CHZS-0002B	O	CAPACITOR,CHIP	GRM40Y5V104Z50C550 PT10 MURATA
		C106	0CE4766J618	O	CAPACITOR,ELECTROLYTIC	47M SMS 35V M FM(5) TP(5)
		C106	0CH1104K942	O	CAPACITOR,CHIP[CERAMIC M/L HD	0.1UF 50V Z Y5V(F) 1508 R/TP
		C106	0CH8227C621	O	CAPACITOR,CHIP[AL. ELECTROLYTI	220UF 6.3V M 105STD (CYL) R/TP
		C107	0CH1104K942	O	CAPACITOR,CHIP[CERAMIC M/L HD	0.1UF 50V Z Y5V(F) 1508 R/TP
		C107	0CHZS-0002C	O	CAPACITOR,CHIP	GRM40Y5V105Z16D530 PT85 MURATA
		C108	0CH1104K942	O	CAPACITOR,CHIP[CERAMIC M/L HD	0.1UF 50V Z Y5V(F) 1508 R/TP
		C108	0CH1104K946	O	CAPA,CHIP CERAMIC M/L H.D F/S	0.1UF 50V Z Y5V(F) 2012 R/TP
		C108	0CHZS-0002C	O	CAPACITOR,CHIP	GRM40Y5V105Z16D530 PT85 MURATA
		C109	0CH1103K946	O	CAPA,CHIP CERAMIC M/L H.D F/S	0.01UF 50V Z Y5V(F) 2012 R/TP
		C109	0CHZS-0002C	O	CAPACITOR,CHIP	GRM40Y5V105Z16D530 PT85 MURATA
		C110	0CH1104K942	O	CAPACITOR,CHIP[CERAMIC M/L HD	0.1UF 50V Z Y5V(F) 1508 R/TP
		C110	0CH1104K946	O	CAPA,CHIP CERAMIC M/L H.D F/S	0.1UF 50V Z Y5V(F) 2012 R/TP
		C111	0CH1104K942	O	CAPACITOR,CHIP[CERAMIC M/L HD	0.1UF 50V Z Y5V(F) 1508 R/TP
		C111	0CHZS-0002C	O	CAPACITOR,CHIP	GRM40Y5V105Z16D530 PT85 MURATA
		C112	0CH1104K942	O	CAPACITOR,CHIP[CERAMIC M/L HD	0.1UF 50V Z Y5V(F) 1508 R/TP
		C113	0CH8107F621	O	CAPA,CHIP AL.ELECTROLYTIC	100UF 16V M 6666 R/TP
		C114	0CE2266K618	O	CAPACITOR,ELECTROLYTIC	22M SMS 50V M FM5 TP(5)
		C114	0CH8107F621	O	CAPA,CHIP AL.ELECTROLYTIC	100UF 16V M 6666 R/TP
		C114	0CHZS-0002B	O	CAPACITOR,CHIP	GRM40Y5V104Z50C550 PT10 MURATA
		C115	0CE2266K618	O	CAPACITOR,ELECTROLYTIC	22M SMS 50V M FM5 TP(5)
		C115	0CH8476F621	O	CAPA,CHIP AL.ELECTROLYTIC	47UF 16V M 6666 R/TP
		C116	0CE2266K618	O	CAPACITOR,ELECTROLYTIC	22M SMS 50V M FM5 TP(5)
		C116	0CH8107C621	O	CAPACITOR,CHIP[AL. ELECTROLYTI	100UF 6.3V M 85STD(CYL) R/TP
		C117	0CE2266K618	O	CAPACITOR,ELECTROLYTIC	22M SMS 50V M FM5 TP(5)
		C117	0CHZS-0002C	O	CAPACITOR,CHIP	GRM40Y5V105Z16D530 PT85 MURATA
		C118	0CH1332K562	O	CAPACITOR,CHIP[CERAMIC M/L HD	3300P 50V K X7R 1.6X0.8 R/TP
		C118	0CH4101K416	O	CAPA,CHIP CERAMIC M/L T.C F/S	100P 50V J NP0 2.0*1.25 R/TP
		C119	0CH1104K946	O	CAPA,CHIP CERAMIC M/L H.D F/S	0.1UF 50V Z Y5V(F) 2012 R/TP
		C119	0CH8107C621	O	CAPACITOR,CHIP[AL. ELECTROLYTI	100UF 6.3V M 85STD(CYL) R/TP
		C120	0CE4766J618	O	CAPACITOR,ELECTROLYTIC	47M SMS 35V M FM(5) TP(5)
		C120	0CHZS-0002B	O	CAPACITOR,CHIP	GRM40Y5V104Z50C550 PT10 MURATA
		C121	0CH1102K562	O	CAPACITOR,CHIP[CERAMIC M/L HD	4.6566128752458E-007F 50V K X7
		C121	0CH4101K416	O	CAPA,CHIP CERAMIC M/L T.C F/S	100P 50V J NP0 2.0*1.25 R/TP
		C122	0CH1104K946	O	CAPA,CHIP CERAMIC M/L H.D F/S	0.1UF 50V Z Y5V(F) 2012 R/TP
		C122	0CH4470K442	O	CAPA,CHIP CERAMIC M/L T.C F/S	47PF 50V J N220 1508 R/TP
		C123	0CE4766J618	O	CAPACITOR,ELECTROLYTIC	47M SMS 35V M FM(5) TP(5)
		C123	0CH4471K412	O	CAPACITOR,CHIP[CERAMIC M/L TC	470PF 50V J NP0 1508 R/TP
		C124	0CH4101K416	O	CAPA,CHIP CERAMIC M/L T.C F/S	100P 50V J NP0 2.0*1.25 R/TP
		C125	0CH4101K416	O	CAPA,CHIP CERAMIC M/L T.C F/S	100P 50V J NP0 2.0*1.25 R/TP
		C126	0CH1104K946	O	CAPA,CHIP CERAMIC M/L H.D F/S	0.1UF 50V Z Y5V(F) 2012 R/TP
		C127	0CE4766J618	O	CAPACITOR,ELECTROLYTIC	47M SMS 35V M FM(5) TP(5)
		C128	0CH1104K946	O	CAPA,CHIP CERAMIC M/L H.D F/S	0.1UF 50V Z Y5V(F) 2012 R/TP
		C129	0CE4766J618	O	CAPACITOR,ELECTROLYTIC	47M SMS 35V M FM(5) TP(5)
		C130	0CH4221K416	O	CAPA,CHIP CERAMIC M/L T.C F/S	220P 50V J 2.0X1.25 R/TP
		C131	0CE2266K618	O	CAPACITOR,ELECTROLYTIC	22M SMS 50V M FM5 TP(5)
		C132	0CH4221K416	O	CAPA,CHIP CERAMIC M/L T.C F/S	220P 50V J 2.0X1.25 R/TP
		C133	0CE2266K618	O	CAPACITOR,ELECTROLYTIC	22M SMS 50V M FM5 TP(5)



RUN : 2000.10.28

S	AL	LOCA. NO.	PART NO.(LG)	A	DESCRIPTION	SPECIFICATION
		C134	0CH1104K946	O	CAPA,CHIP CERAMIC M/L H.D F/S	0.1UF 50V Z Y5V(F) 2012 R/TP
		C135	0CH1104K946	O	CAPA,CHIP CERAMIC M/L H.D F/S	0.1UF 50V Z Y5V(F) 2012 R/TP
		C136	0CH1104K946	O	CAPA,CHIP CERAMIC M/L H.D F/S	0.1UF 50V Z Y5V(F) 2012 R/TP
		C137	0CH1104K946	O	CAPA,CHIP CERAMIC M/L H.D F/S	0.1UF 50V Z Y5V(F) 2012 R/TP
		C138	0CH1104K946	O	CAPA,CHIP CERAMIC M/L H.D F/S	0.1UF 50V Z Y5V(F) 2012 R/TP
		C139	0CH1104K946	O	CAPA,CHIP CERAMIC M/L H.D F/S	0.1UF 50V Z Y5V(F) 2012 R/TP
		C140	0CH1104K946	O	CAPA,CHIP CERAMIC M/L H.D F/S	0.1UF 50V Z Y5V(F) 2012 R/TP
		C141	0CH1104K946	O	CAPA,CHIP CERAMIC M/L H.D F/S	0.1UF 50V Z Y5V(F) 2012 R/TP
		C142	0CH1104K946	O	CAPA,CHIP CERAMIC M/L H.D F/S	0.1UF 50V Z Y5V(F) 2012 R/TP
		C143	0CH1104K946	O	CAPA,CHIP CERAMIC M/L H.D F/S	0.1UF 50V Z Y5V(F) 2012 R/TP
		C144	0CH1104K946	O	CAPA,CHIP CERAMIC M/L H.D F/S	0.1UF 50V Z Y5V(F) 2012 R/TP
		C145	0CH1104K946	O	CAPA,CHIP CERAMIC M/L H.D F/S	0.1UF 50V Z Y5V(F) 2012 R/TP
		C201	0CHZS-0001B	O	CAPACITOR,CHIP	GRM39X7R103K50C500 PT266 MURAT
		C201	0CHZS-0002B	O	CAPACITOR,CHIP	GRM40Y5V104Z50C550 PT10 MURATA
		C202	0CE1076F618	O	CAPACITOR,ELECTROLYTIC	100M SMS 16V M FM5 TP(5)
		C202	0CH1102K562	O	CAPACITOR,CHIP[CERAMIC M/L HD	4.6566128752458E-007F 50V K X7
		C202	0CH1472K562	O	CAPACITOR,CHIP[CERAMIC M/L HD	4700PF 50V K X7R(X) 1608 R/TP
		C203	0CH1821K516	O	CAPACITOR,CHIP[CERAMIC M/L HD	CONDENSER
		C203	0CHZS-0002B	O	CAPACITOR,CHIP	GRM40Y5V104Z50C550 PT10 MURATA
		C204	0CE4766J618	O	CAPACITOR,ELECTROLYTIC	47M SMS 35V M FM(5) TP(5)
		C204	0CH1332K562	O	CAPACITOR,CHIP[CERAMIC M/L HD	3300P 50V K X7R 1.6X0.8 R/TP
		C204	0CHZS-0002C	O	CAPACITOR,CHIP	GRM40Y5V105Z16D530 PT85 MURATA
		C205	0CE4766J618	O	CAPACITOR,ELECTROLYTIC	47M SMS 35V M FM(5) TP(5)
		C205	0CHZS-0002C	O	CAPACITOR,CHIP	GRM40Y5V105Z16D530 PT85 MURATA
		C206	0CH1104K942	O	CAPACITOR,CHIP[CERAMIC M/L HD	0.1UF 50V Z Y5V(F) 1508 R/TP
		C206	0CH1104K946	O	CAPA,CHIP CERAMIC M/L H.D F/S	0.1UF 50V Z Y5V(F) 2012 R/TP
		C206	0CHZS-0002B	O	CAPACITOR,CHIP	GRM40Y5V104Z50C550 PT10 MURATA
		C207	0CH1104K942	O	CAPACITOR,CHIP[CERAMIC M/L HD	0.1UF 50V Z Y5V(F) 1508 R/TP
		C207	0CH1104K946	O	CAPA,CHIP CERAMIC M/L H.D F/S	0.1UF 50V Z Y5V(F) 2012 R/TP
		C207	0CH4101K412	O	CHIP CAPA CERAMIC M/L T.C F/S	100P 50V J COG 1.6X0.8 R/TP
		C208	0CH1104K942	O	CAPACITOR,CHIP[CERAMIC M/L HD	0.1UF 50V Z Y5V(F) 1508 R/TP
		C208	0CH1104K946	O	CAPA,CHIP CERAMIC M/L H.D F/S	0.1UF 50V Z Y5V(F) 2012 R/TP
		C208	0CH4221K412	O	CAPACITOR,CHIP[CERAMIC M/L TC	220P 50V J COG 1.6X0.8 R/TP
		C209	0CE4775C618	O	CAPACITOR,AL.ELECTROLYTIC	470UF SR,SV 6.3V M FL TP 5
		C209	0CH1104K942	O	CAPACITOR,CHIP[CERAMIC M/L HD	0.1UF 50V Z Y5V(F) 1508 R/TP
		C209	0CHZS-0002C	O	CAPACITOR,CHIP	GRM40Y5V105Z16D530 PT85 MURATA
		C210	0CE1076D618	O	CAPACITOR,ELECTROLYTIC	100M SMS 10V M FM5 TP(5)
		C210	0CH1104K942	O	CAPACITOR,CHIP[CERAMIC M/L HD	0.1UF 50V Z Y5V(F) 1508 R/TP
		C211	0CE1076D618	O	CAPACITOR,ELECTROLYTIC	100M SMS 10V M FM5 TP(5)
		C211	0CH1104K942	O	CAPACITOR,CHIP[CERAMIC M/L HD	0.1UF 50V Z Y5V(F) 1508 R/TP
		C211	0CH4101K412	O	CHIP CAPA CERAMIC M/L T.C F/S	100P 50V J COG 1.6X0.8 R/TP
		C212	0CE1076F618	O	CAPACITOR,ELECTROLYTIC	100M SMS 16V M FM5 TP(5)
		C212	0CH1104K942	O	CAPACITOR,CHIP[CERAMIC M/L HD	0.1UF 50V Z Y5V(F) 1508 R/TP
		C212	0CHZS-0002C	O	CAPACITOR,CHIP	GRM40Y5V105Z16D530 PT85 MURATA
		C213	0CH1104K942	O	CAPACITOR,CHIP[CERAMIC M/L HD	0.1UF 50V Z Y5V(F) 1508 R/TP
		C213	0CH1332K566	O	CAPACITOR,CHIP[CERAMIC M/L HD	3300PF 50V K X7R(X) 2012 R/TP
		C214	0CH1104K942	O	CAPACITOR,CHIP[CERAMIC M/L HD	0.1UF 50V Z Y5V(F) 1508 R/TP
		C214	0CH4101K416	O	CAPA,CHIP CERAMIC M/L T.C F/S	100P 50V J NP0 2.0*1.25 R/TP
		C214	0CHZS-0002B	O	CAPACITOR,CHIP	GRM40Y5V104Z50C550 PT10 MURATA
		C215	0CH1104K942	O	CAPACITOR,CHIP[CERAMIC M/L HD	0.1UF 50V Z Y5V(F) 1508 R/TP
		C215	0CH1473H942	O	CAPA,CHIP CERAMIC M/L H.D F/S	0.0470UF 25V Z Y5V(F) 1608 R/T
		C216	0CH1104K942	O	CAPACITOR,CHIP[CERAMIC M/L HD	0.1UF 50V Z Y5V(F) 1508 R/TP
		C216	0CH4151K412	O	CAPA,CHIP CERAMIC M/L T.C F/S	150P 50V J COG 1.6X0.8 R/TP
		C217	0CE2276H618	O	CAPACITOR,ELECTROLYTIC	220M SMS 25V FM5 TP(5)
		C217	0CH1104K942	O	CAPACITOR,CHIP[CERAMIC M/L HD	0.1UF 50V Z Y5V(F) 1508 R/TP
		C217	0CH1332K562	O	CAPACITOR,CHIP[CERAMIC M/L HD	3300P 50V K X7R 1.6X0.8 R/TP
		C218	0CH1104K942	O	CAPACITOR,CHIP[CERAMIC M/L HD	0.1UF 50V Z Y5V(F) 1508 R/TP
		C218	0CH1821K516	O	CAPACITOR,CHIP[CERAMIC M/L HD	CONDENSER
		C218	0CH4221K412	O	CAPACITOR,CHIP[CERAMIC M/L TC	220P 50V J COG 1.6X0.8 R/TP
		C219	0CH1104K942	O	CAPACITOR,CHIP[CERAMIC M/L HD	0.1UF 50V Z Y5V(F) 1508 R/TP
		C219	0CH1473H942	O	CAPA,CHIP CERAMIC M/L H.D F/S	0.0470UF 25V Z Y5V(F) 1608 R/T
		C219	0CH4221K416	O	CAPA,CHIP CERAMIC M/L T.C F/S	220P 50V J 2.0X1.25 R/TP
		C220	0CE2266K618	O	CAPACITOR,ELECTROLYTIC	22M SMS 50V M FM5 TP(5)
		C220	0CH1104K942	O	CAPACITOR,CHIP[CERAMIC M/L HD	0.1UF 50V Z Y5V(F) 1508 R/TP
		C220	0CHZS-0001B	O	CAPACITOR,CHIP	GRM39X7R103K50C500 PT266 MURAT
		C221	0CH1332K566	O	CAPACITOR,CHIP[CERAMIC M/L HD	3300PF 50V K X7R(X) 2012 R/TP

RUN : 2000.10.28

S	AL	LOCA. NO.	PART NO.(LG)	A	DESCRIPTION	SPECIFICATION
		C221	0CH4220K442	O	CAPA,CHIP CERAMIC M/L T.C F/S	22PF 50V J N220 1508 R/TP
		C221	0CH7106C611	O	CAPA,CHIP TANRALUM	10UF 6.3V M 3216 TP(-)
		C222	0CH1104K942	O	CAPACITOR,CHIP[CERAMIC M/L HD	0.1UF 50V Z Y5V(F) 1508 R/TP
		C222	0CH1332K566	O	CAPACITOR,CHIP[CERAMIC M/L HD	3300PF 50V K X7R(X) 2012 R/TP
		C222	0CH4220K442	O	CAPA,CHIP CERAMIC M/L T.C F/S	22PF 50V J N220 1508 R/TP
		C223	0CE1076D618	O	CAPACITOR,ELECTROLYTIC	100M SMS 10V M FM5 TP(5)
		C223	0CH1102K562	O	CAPACITOR,CHIP[CERAMIC M/L HD	4.6566128752458E-007F 50V K X7
		C223	0CHZS-0001B	O	CAPACITOR,CHIP	GRM39X7R103K50C500 PT266 MURAT
		C224	0CE1076D618	O	CAPACITOR,ELECTROLYTIC	100M SMS 10V M FM5 TP(5)
		C224	0CH1472K562	O	CAPACITOR,CHIP[CERAMIC M/L HD	4700PF 50V K X7R(X) 1608 R/TP
		C224	0CHZS-0002B	O	CAPACITOR,CHIP	GRM40Y5V104Z50C550 PT10 MURATA
		C225	0CH1104K942	O	CAPACITOR,CHIP[CERAMIC M/L HD	0.1UF 50V Z Y5V(F) 1508 R/TP
		C225	0CH1821K516	O	CAPACITOR,CHIP[CERAMIC M/L HD	CONDENSER
		C225	0CH4680K412	O	CAPACITOR,CHIP[CERAMIC M/L TC	68P 50V J COG 1.6X0.8 R/TP
		C226	0CH1104K942	O	CAPACITOR,CHIP[CERAMIC M/L HD	0.1UF 50V Z Y5V(F) 1508 R/TP
		C226	0CH4680K412	O	CAPACITOR,CHIP[CERAMIC M/L TC	68P 50V J COG 1.6X0.8 R/TP
		C227	0CH1104K942	O	CAPACITOR,CHIP[CERAMIC M/L HD	0.1UF 50V Z Y5V(F) 1508 R/TP
		C227	0CH1821K516	O	CAPACITOR,CHIP[CERAMIC M/L HD	CONDENSER
		C227	0CH4680K412	O	CAPACITOR,CHIP[CERAMIC M/L TC	68P 50V J COG 1.6X0.8 R/TP
		C228	0CH1104K942	O	CAPACITOR,CHIP[CERAMIC M/L HD	0.1UF 50V Z Y5V(F) 1508 R/TP
		C228	0CH4680K412	O	CAPACITOR,CHIP[CERAMIC M/L TC	68P 50V J COG 1.6X0.8 R/TP
		C229	0CH1104K942	O	CAPACITOR,CHIP[CERAMIC M/L HD	0.1UF 50V Z Y5V(F) 1508 R/TP
		C229	0CH1104K946	O	CAPA,CHIP CERAMIC M/L H.D F/S	0.1UF 50V Z Y5V(F) 2012 R/TP
		C229	0CHZS-0002B	O	CAPACITOR,CHIP	GRM40Y5V104Z50C550 PT10 MURATA
		C231	0CE2266K618	O	CAPACITOR,ELECTROLYTIC	22M SMS 50V M FM5 TP(5)
		C232	0CH1104K942	O	CAPACITOR,CHIP[CERAMIC M/L HD	0.1UF 50V Z Y5V(F) 1508 R/TP
		C234	0CH1104K946	O	CAPA,CHIP CERAMIC M/L H.D F/S	0.1UF 50V Z Y5V(F) 2012 R/TP
		C235	0CH1104K942	O	CAPACITOR,CHIP[CERAMIC M/L HD	0.1UF 50V Z Y5V(F) 1508 R/TP
		C236	0CQ3921N409	O	CAPACITOR POLYESTER(MYLAR)	0.0039U 100V J POLY TP
		C237	0CQ3921N409	O	CAPACITOR POLYESTER(MYLAR)	0.0039U 100V J POLY TP
		C238	0CH1104K942	O	CAPACITOR,CHIP[CERAMIC M/L HD	0.1UF 50V Z Y5V(F) 1508 R/TP
		C238	0CH1104K946	O	CAPA,CHIP CERAMIC M/L H.D F/S	0.1UF 50V Z Y5V(F) 2012 R/TP
		C239	0CH1103K946	O	CAPA,CHIP CERAMIC M/L H.D F/S	0.01UF 50V Z Y5V(F) 2012 R/TP
		C239	0CH7106C611	O	CAPA,CHIP TANRALUM	10UF 6.3V M 3216 TP(-)
		C240	0CH1104K942	O	CAPACITOR,CHIP[CERAMIC M/L HD	0.1UF 50V Z Y5V(F) 1508 R/TP
		C241	0CH1104K942	O	CAPACITOR,CHIP[CERAMIC M/L HD	0.1UF 50V Z Y5V(F) 1508 R/TP
		C241	0CH1104K946	O	CAPA,CHIP CERAMIC M/L H.D F/S	0.1UF 50V Z Y5V(F) 2012 R/TP
		C242	0CH1104K942	O	CAPACITOR,CHIP[CERAMIC M/L HD	0.1UF 50V Z Y5V(F) 1508 R/TP
		C242	0CH1104K946	O	CAPA,CHIP CERAMIC M/L H.D F/S	0.1UF 50V Z Y5V(F) 2012 R/TP
		C243	0CH7106C611	O	CAPA,CHIP TANRALUM	10UF 6.3V M 3216 TP(-)
		C245	0CH1104K946	O	CAPA,CHIP CERAMIC M/L H.D F/S	0.1UF 50V Z Y5V(F) 2012 R/TP
		C246	0CH1105F946	O	CAPACITOR,CHIP[CERAMIC M/L HD	1UF 16V Z Y5V(F) 2012 R/TP
		C247	0CH4101K416	O	CAPA,CHIP CERAMIC M/L T.C F/S	100P 50V J NP0 2.0*1.25 R/TP
		C248	0CH4101K416	O	CAPA,CHIP CERAMIC M/L T.C F/S	100P 50V J NP0 2.0*1.25 R/TP
		C250	0CH4470K416	O	CAPA,CHIP CERAMIC M/L T.C F/S	47P 50V J NP0 2.0X1.25 R/TP
		C251	0CH4101K416	O	CAPA,CHIP CERAMIC M/L T.C F/S	100P 50V J NP0 2.0*1.25 R/TP
		C252	0CH4470K416	O	CAPA,CHIP CERAMIC M/L T.C F/S	47P 50V J NP0 2.0X1.25 R/TP
		C301	0CHZS-0002B	O	CAPACITOR,CHIP	GRM40Y5V104Z50C550 PT10 MURATA
		C301	0CHZS-0002C	O	CAPACITOR,CHIP	GRM40Y5V105Z16D530 PT85 MURATA
		C302	0CH8106F611	O	CAPACITOR,CHIP[AL. ELECTROLYTI	10UF 16V M 85STD(CYL) R/TP
		C302	0CHZS-0002B	O	CAPACITOR,CHIP	GRM40Y5V104Z50C550 PT10 MURATA
		C303	0CHZS-0002B	O	CAPACITOR,CHIP	GRM40Y5V104Z50C550 PT10 MURATA
		C303	0CHZS-0002C	O	CAPACITOR,CHIP	GRM40Y5V105Z16D530 PT85 MURATA
		C304	0CH8227C621	O	CAPACITOR,CHIP[AL. ELECTROLYTI	220UF 6.3V M 105STD (CYL) R/TP
		C304	0CHZS-0002B	O	CAPACITOR,CHIP	GRM40Y5V104Z50C550 PT10 MURATA
		C305	0CHZS-0002B	O	CAPACITOR,CHIP	GRM40Y5V104Z50C550 PT10 MURATA
		C306	0CHZS-0002B	O	CAPACITOR,CHIP	GRM40Y5V104Z50C550 PT10 MURATA
		C307	0CHZS-0002B	O	CAPACITOR,CHIP	GRM40Y5V104Z50C550 PT10 MURATA
		C308	0CHZS-0002B	O	CAPACITOR,CHIP	GRM40Y5V104Z50C550 PT10 MURATA
		C308	0CHZS-0002C	O	CAPACITOR,CHIP	GRM40Y5V105Z16D530 PT85 MURATA
		C309	0CHZS-0002B	O	CAPACITOR,CHIP	GRM40Y5V104Z50C550 PT10 MURATA
		C309	0CHZS-0002C	O	CAPACITOR,CHIP	GRM40Y5V105Z16D530 PT85 MURATA
		C310	0CH1122K562	O	CHIP CAPA CERAMIC M/L H.D F/S	1200P 50V K X7R 1.6X0.8 R/TP
		C310	0CHZS-0002B	O	CAPACITOR,CHIP	GRM40Y5V104Z50C550 PT10 MURATA
		C311	0CHZS-0002B	O	CAPACITOR,CHIP	GRM40Y5V104Z50C550 PT10 MURATA
		C312	0CH4470K442	O	CAPA,CHIP CERAMIC M/L T.C F/S	47PF 50V J N220 1508 R/TP

RUN : 2000.10.28

S	AL	LOCA. NO.	PART NO.(LG)	A	DESCRIPTION	SPECIFICATION
		C221	0CH4220K442	O	CAPA,CHIP CERAMIC M/L T.C F/S	22PF 50V J N220 1508 R/TP
		C221	0CH7106C611	O	CAPA,CHIP TANRALUM	10UF 6.3V M 3216 TP(-)
		C222	0CH1104K942	O	CAPACITOR,CHIP CERAMIC M/L HD	0.1UF 50V Z Y5V(F) 1508 R/TP
		C222	0CH1332K566	O	CAPACITOR,CHIP CERAMIC M/L HD	3300PF 50V K X7R(X) 2012 R/TP
		C222	0CH4220K442	O	CAPA,CHIP CERAMIC M/L T.C F/S	22PF 50V J N220 1508 R/TP
		C223	0CE1076D618	O	CAPACITOR,ELECTROLYTIC	100M SMS 10V M FM5 TP(5)
		C223	0CH1102K562	O	CAPACITOR,CHIP CERAMIC M/L HD	4.6566128752458E-007F 50V K X7
		C223	0CHZS-0001B	O	CAPACITOR,CHIP	GRM39X7R103K50C500 PT266 MURAT
		C224	0CE1076D618	O	CAPACITOR,ELECTROLYTIC	100M SMS 10V M FM5 TP(5)
		C224	0CH1472K562	O	CAPACITOR,CHIP CERAMIC M/L HD	4700PF 50V K X7R(X) 1608 R/TP
		C224	0CHZS-0002B	O	CAPACITOR,CHIP	GRM40Y5V104Z50C550 PT10 MURATA
		C225	0CH1104K942	O	CAPACITOR,CHIP CERAMIC M/L HD	0.1UF 50V Z Y5V(F) 1508 R/TP
		C225	0CH1821K516	O	CAPACITOR,CHIP CERAMIC M/L HD	CONDENSER
		C225	0CH4680K412	O	CAPACITOR,CHIP CERAMIC M/L TC	68P 50V J COG 1.6X0.8 R/TP
		C226	0CH1104K942	O	CAPACITOR,CHIP CERAMIC M/L HD	0.1UF 50V Z Y5V(F) 1508 R/TP
		C226	0CH4680K412	O	CAPACITOR,CHIP CERAMIC M/L TC	68P 50V J COG 1.6X0.8 R/TP
		C227	0CH1104K942	O	CAPACITOR,CHIP CERAMIC M/L HD	0.1UF 50V Z Y5V(F) 1508 R/TP
		C227	0CH1821K516	O	CAPACITOR,CHIP CERAMIC M/L HD	CONDENSER
		C227	0CH4680K412	O	CAPACITOR,CHIP CERAMIC M/L TC	68P 50V J COG 1.6X0.8 R/TP
		C228	0CH1104K942	O	CAPACITOR,CHIP CERAMIC M/L HD	0.1UF 50V Z Y5V(F) 1508 R/TP
		C228	0CH4680K412	O	CAPACITOR,CHIP CERAMIC M/L TC	68P 50V J COG 1.6X0.8 R/TP
		C229	0CH1104K942	O	CAPACITOR,CHIP CERAMIC M/L HD	0.1UF 50V Z Y5V(F) 1508 R/TP
		C229	0CH1104K946	O	CAPA,CHIP CERAMIC M/L H.D F/S	0.1UF 50V Z Y5V(F) 2012 R/TP
		C229	0CHZS-0002B	O	CAPACITOR,CHIP	GRM40Y5V104Z50C550 PT10 MURATA
		C231	0CE2266K618	O	CAPACITOR,ELECTROLYTIC	22M SMS 50V M FM5 TP(5)
		C232	0CH1104K942	O	CAPACITOR,CHIP CERAMIC M/L HD	0.1UF 50V Z Y5V(F) 1508 R/TP
		C234	0CH1104K946	O	CAPA,CHIP CERAMIC M/L H.D F/S	0.1UF 50V Z Y5V(F) 2012 R/TP
		C235	0CH1104K942	O	CAPACITOR,CHIP CERAMIC M/L HD	0.1UF 50V Z Y5V(F) 1508 R/TP
		C236	0CQ3921N409	O	CAPACITOR POLYESTER(MYLAR)	0.0039U 100V J POLY TP
		C237	0CQ3921N409	O	CAPACITOR POLYESTER(MYLAR)	0.0039U 100V J POLY TP
		C238	0CH1104K942	O	CAPACITOR,CHIP CERAMIC M/L HD	0.1UF 50V Z Y5V(F) 1508 R/TP
		C238	0CH1104K946	O	CAPA,CHIP CERAMIC M/L H.D F/S	0.1UF 50V Z Y5V(F) 2012 R/TP
		C239	0CH1103K946	O	CAPA,CHIP CERAMIC M/L H.D F/S	0.01UF 50V Z Y5V(F) 2012 R/TP
		C239	0CH7106C611	O	CAPA,CHIP TANRALUM	10UF 6.3V M 3216 TP(-)
		C240	0CH1104K942	O	CAPACITOR,CHIP CERAMIC M/L HD	0.1UF 50V Z Y5V(F) 1508 R/TP
		C241	0CH1104K942	O	CAPACITOR,CHIP CERAMIC M/L HD	0.1UF 50V Z Y5V(F) 1508 R/TP
		C241	0CH1104K946	O	CAPA,CHIP CERAMIC M/L H.D F/S	0.1UF 50V Z Y5V(F) 2012 R/TP
		C242	0CH1104K942	O	CAPACITOR,CHIP CERAMIC M/L HD	0.1UF 50V Z Y5V(F) 1508 R/TP
		C242	0CH1104K946	O	CAPA,CHIP CERAMIC M/L H.D F/S	0.1UF 50V Z Y5V(F) 2012 R/TP
		C243	0CH7106C611	O	CAPA,CHIP TANRALUM	10UF 6.3V M 3216 TP(-)
		C245	0CH1104K946	O	CAPA,CHIP CERAMIC M/L H.D F/S	0.1UF 50V Z Y5V(F) 2012 R/TP
		C246	0CH1105F946	O	CAPACITOR,CHIP CERAMIC M/L HD	1UF 16V Z Y5V(F) 2012 R/TP
		C247	0CH4101K416	O	CAPA,CHIP CERAMIC M/L T.C F/S	100P 50V J NP0 2.0*1.25 R/TP
		C248	0CH4101K416	O	CAPA,CHIP CERAMIC M/L T.C F/S	100P 50V J NP0 2.0*1.25 R/TP
		C250	0CH4470K416	O	CAPA,CHIP CERAMIC M/L T.C F/S	47P 50V J NP0 2.0X1.25 R/TP
		C251	0CH4101K416	O	CAPA,CHIP CERAMIC M/L T.C F/S	100P 50V J NP0 2.0*1.25 R/TP
		C252	0CH4470K416	O	CAPA,CHIP CERAMIC M/L T.C F/S	47P 50V J NP0 2.0X1.25 R/TP
		C301	0CHZS-0002B	O	CAPACITOR,CHIP	GRM40Y5V104Z50C550 PT10 MURATA
		C301	0CHZS-0002C	O	CAPACITOR,CHIP	GRM40Y5V105Z16D530 PT85 MURATA
		C302	0CH8106F611	O	CAPACITOR,CHIP AL. ELECTROLYTI	10UF 16V M 85STD(CYL) R/TP
		C302	0CHZS-0002B	O	CAPACITOR,CHIP	GRM40Y5V104Z50C550 PT10 MURATA
		C303	0CHZS-0002B	O	CAPACITOR,CHIP	GRM40Y5V104Z50C550 PT10 MURATA
		C303	0CHZS-0002C	O	CAPACITOR,CHIP	GRM40Y5V105Z16D530 PT85 MURATA
		C304	0CH8227C621	O	CAPACITOR,CHIP AL. ELECTROLYTI	220UF 6.3V M 105STD (CYL) R/TP
		C304	0CHZS-0002B	O	CAPACITOR,CHIP	GRM40Y5V104Z50C550 PT10 MURATA
		C305	0CHZS-0002B	O	CAPACITOR,CHIP	GRM40Y5V104Z50C550 PT10 MURATA
		C306	0CHZS-0002B	O	CAPACITOR,CHIP	GRM40Y5V104Z50C550 PT10 MURATA
		C307	0CHZS-0002B	O	CAPACITOR,CHIP	GRM40Y5V104Z50C550 PT10 MURATA
		C308	0CHZS-0002B	O	CAPACITOR,CHIP	GRM40Y5V104Z50C550 PT10 MURATA
		C308	0CHZS-0002C	O	CAPACITOR,CHIP	GRM40Y5V105Z16D530 PT85 MURATA
		C309	0CHZS-0002B	O	CAPACITOR,CHIP	GRM40Y5V104Z50C550 PT10 MURATA
		C309	0CHZS-0002C	O	CAPACITOR,CHIP	GRM40Y5V105Z16D530 PT85 MURATA
		C310	0CH1122K562	O	CHIP CAPA CERAMIC M/L H.D F/S	1200P 50V K X7R 1.6X0.8 R/TP
		C310	0CHZS-0002B	O	CAPACITOR,CHIP	GRM40Y5V104Z50C550 PT10 MURATA
		C311	0CHZS-0002B	O	CAPACITOR,CHIP	GRM40Y5V104Z50C550 PT10 MURATA
		C312	0CH4470K442	O	CAPA,CHIP CERAMIC M/L T.C F/S	47PF 50V J N220 1508 R/TP

RUN : 2000.10.28

S	AL	LOCA. NO.	PART NO.(LG)	A	DESCRIPTION	SPECIFICATION
		C417	0CH1821K516	O	CAPACITOR,CHIP[CERAMIC M/L HD	CONDENSER
		C417	0CHZS-0002B	O	CAPACITOR,CHIP	GRM40Y5V104Z50C550 PT10 MURATA
		C418	0CH1332K566	O	CAPACITOR,CHIP[CERAMIC M/L HD	3300PF 50V K X7R(X) 2012 R/TP
		C418	0CHZS-0002B	O	CAPACITOR,CHIP	GRM40Y5V104Z50C550 PT10 MURATA
		C419	0CH1683H566	O	CAPA,CHIP CERAMIC M/L H.D F/S	0.0680UF 25V K X7R(X) 2012 R/T
		C419	0CH1821K516	O	CAPACITOR,CHIP[CERAMIC M/L HD	CONDENSER
		C419	0CHZS-0002B	O	CAPACITOR,CHIP	GRM40Y5V104Z50C550 PT10 MURATA
		C420	0CH1104K942	O	CAPACITOR,CHIP[CERAMIC M/L HD	0.1UF 50V Z Y5V(F) 1508 R/TP
		C421	0CH1104K942	O	CAPACITOR,CHIP[CERAMIC M/L HD	0.1UF 50V Z Y5V(F) 1508 R/TP
		C421	0CHZS-0002B	O	CAPACITOR,CHIP	GRM40Y5V104Z50C550 PT10 MURATA
		C422	0CH1104K942	O	CAPACITOR,CHIP[CERAMIC M/L HD	0.1UF 50V Z Y5V(F) 1508 R/TP
		C423	0CH1104K942	O	CAPACITOR,CHIP[CERAMIC M/L HD	0.1UF 50V Z Y5V(F) 1508 R/TP
		C423	0CH8106F611	O	CAPACITOR,CHIP[AL. ELECTROLYTI	10UF 16V M 85STD(CYL) R/TP
		C424	0CH1104K942	O	CAPACITOR,CHIP[CERAMIC M/L HD	0.1UF 50V Z Y5V(F) 1508 R/TP
		C424	0CH1334H946	O	CAPACITOR,CHIP[CERAMIC M/L HD	0.3300UF 25V Z Y5V(F) 2012 R/T
		C424	0CH1821K516	O	CAPACITOR,CHIP[CERAMIC M/L HD	CONDENSER
		C425	0CE2266K618	O	CAPACITOR,ELECTROLYTIC	22M SMS 50V M FM5 TP(5)
		C425	0CH1334H946	O	CAPACITOR,CHIP[CERAMIC M/L HD	0.3300UF 25V Z Y5V(F) 2012 R/T
		C426	0CE2266K618	O	CAPACITOR,ELECTROLYTIC	22M SMS 50V M FM5 TP(5)
		C426	0CH1334H946	O	CAPACITOR,CHIP[CERAMIC M/L HD	0.3300UF 25V Z Y5V(F) 2012 R/T
		C427	0CH1153K562	O	CAPACITOR,CHIP[CERAMIC M/L HD	0.015U 50V K X7R 1.6X0.8 R/TP
		C427	0CQ3921N409	O	CAPACITOR POLYESTER(MYLAR)	0.0039U 100V J POLY TP
		C428	0CH1104K942	O	CAPACITOR,CHIP[CERAMIC M/L HD	0.1UF 50V Z Y5V(F) 1508 R/TP
		C428	0CQ3921N409	O	CAPACITOR POLYESTER(MYLAR)	0.0039U 100V J POLY TP
		C429	0CH1474H946	O	CAPA,CHIP CERAMIC M/L H.D F/S	0.4700UF 25V Z Y5V(F) 2012 R/T
		C429	0CH4221K416	O	CAPA,CHIP CERAMIC M/L T.C F/S	220P 50V J 2.0X1.25 R/TP
		C430	0CH4221K416	O	CAPA,CHIP CERAMIC M/L T.C F/S	220P 50V J 2.0X1.25 R/TP
		C430	0CHZS-0001B	O	CAPACITOR,CHIP	GRM39X7R103K50C500 PT266 MURAT
		C431	0CH1104K942	O	CAPACITOR,CHIP[CERAMIC M/L HD	0.1UF 50V Z Y5V(F) 1508 R/TP
		C432	0CH1104K942	O	CAPACITOR,CHIP[CERAMIC M/L HD	0.1UF 50V Z Y5V(F) 1508 R/TP
		C433	0CH1104K942	O	CAPACITOR,CHIP[CERAMIC M/L HD	0.1UF 50V Z Y5V(F) 1508 R/TP
		C434	0CH4151K412	O	CAPA,CHIP CERAMIC M/L T.C F/S	150P 50V J COG 1.6X0.8 R/TP
		C435	0CH1104K942	O	CAPACITOR,CHIP[CERAMIC M/L HD	0.1UF 50V Z Y5V(F) 1508 R/TP
		C437	0CH1104K942	O	CAPACITOR,CHIP[CERAMIC M/L HD	0.1UF 50V Z Y5V(F) 1508 R/TP
		C438	0CH4270K412	O	CAPACITOR,CHIP[CERAMIC M/L TC	27PF 50V J NP0 1608 R/TP
		C439	0CH4331K412	O	CAPACITOR,CHIP[CERAMIC M/L TC	330P 50V J COG 1.6X0.8 R/TP
		C440	0CH1104K942	O	CAPACITOR,CHIP[CERAMIC M/L HD	0.1UF 50V Z Y5V(F) 1508 R/TP
		C441	0CH4270K412	O	CAPACITOR,CHIP[CERAMIC M/L TC	27PF 50V J NP0 1608 R/TP
		C442	0CH4470K442	O	CAPA,CHIP CERAMIC M/L T.C F/S	47PF 50V J N220 1508 R/TP
		C443	0CH1154F516	O	CAPACITOR,CHIP[CERAMIC M/L HD	0.1500UF 16V K B 2012 R/TP
		C445	0CH1332K562	O	CAPACITOR,CHIP[CERAMIC M/L HD	3300P 50V K X7R 1.6X0.8 R/TP
		C446	0CH1104K942	O	CAPACITOR,CHIP[CERAMIC M/L HD	0.1UF 50V Z Y5V(F) 1508 R/TP
		C447	0CH1104K942	O	CAPACITOR,CHIP[CERAMIC M/L HD	0.1UF 50V Z Y5V(F) 1508 R/TP
		C449	0CH1104K942	O	CAPACITOR,CHIP[CERAMIC M/L HD	0.1UF 50V Z Y5V(F) 1508 R/TP
		C451	0CH1104K942	O	CAPACITOR,CHIP[CERAMIC M/L HD	0.1UF 50V Z Y5V(F) 1508 R/TP
		C453	0CH1104K942	O	CAPACITOR,CHIP[CERAMIC M/L HD	0.1UF 50V Z Y5V(F) 1508 R/TP
		C454	0CH7106C611	O	CAPA,CHIP TANRALUM	10UF 6.3V M 3216 TP(-)
		C455	0CH7106C611	O	CAPA,CHIP TANRALUM	10UF 6.3V M 3216 TP(-)
		C456	0CH4151K412	O	CAPA,CHIP CERAMIC M/L T.C F/S	150P 50V J COG 1.6X0.8 R/TP
		C458	0CH4151K412	O	CAPA,CHIP CERAMIC M/L T.C F/S	150P 50V J COG 1.6X0.8 R/TP
		C459	0CH4151K412	O	CAPA,CHIP CERAMIC M/L T.C F/S	150P 50V J COG 1.6X0.8 R/TP
		C460	0CH7106F621	O	CAPACITOR,CHIP[TANTALUM]	10UF 16V M 3528MM TP(-)
		C461	0CH1104K942	O	CAPACITOR,CHIP[CERAMIC M/L HD	0.1UF 50V Z Y5V(F) 1508 R/TP
		C462	0CH1104K942	O	CAPACITOR,CHIP[CERAMIC M/L HD	0.1UF 50V Z Y5V(F) 1508 R/TP
		C463	0CH7106F621	O	CAPACITOR,CHIP[TANTALUM]	10UF 16V M 3528MM TP(-)
		C464	0CH1104K942	O	CAPACITOR,CHIP[CERAMIC M/L HD	0.1UF 50V Z Y5V(F) 1508 R/TP
		C466	0CH1104K942	O	CAPACITOR,CHIP[CERAMIC M/L HD	0.1UF 50V Z Y5V(F) 1508 R/TP
		C467	0CH7106C611	O	CAPA,CHIP TANRALUM	10UF 6.3V M 3216 TP(-)
		C468	0CHZS-0002C	O	CAPACITOR,CHIP	GRM40Y5V105Z16D530 PT85 MURATA
		C469	0CH1102K562	O	CAPACITOR,CHIP[CERAMIC M/L HD	4.6566128752458E-007F 50V K X7
		C470	0CH7106C611	O	CAPA,CHIP TANRALUM	10UF 6.3V M 3216 TP(-)
		C471	0CE1076F618	O	CAPACITOR,ELECTROLYTIC	100M SMS 16V M FM5 TP(5)
		C471	0CH7106C611	O	CAPA,CHIP TANRALUM	10UF 6.3V M 3216 TP(-)
		C472	0CE1076F618	O	CAPACITOR,ELECTROLYTIC	100M SMS 16V M FM5 TP(5)
		C473	0CH1104K946	O	CAPA,CHIP CERAMIC M/L H.D F/S	0.1UF 50V Z Y5V(F) 2012 R/TP

RUN : 2000.10.28

S	AL	LOCA. NO.	PART NO.(LG)	A	DESCRIPTION	SPECIFICATION
		C473	0CH8107F621	O	CAPA,CHIP AL.ELECTROLYTIC	100UF 16V M 6666 R/TP
		C474	0CH1104K946	O	CAPA,CHIP CERAMIC M/L H.D F/S	0.1UF 50V Z Y5V(F) 2012 R/TP
		C474	0CH4221K412	O	CAPACITOR,CHIP[CERAMIC M/L TC	220P 50V J COG 1.6X0.8 R/TP
		C475	0CH4070K112	O	CAPACITOR,CHIP[CERAMIC M/L TC	7P 50V D COG 1.6X0.8 R/TP
		C476	0CH1104K942	O	CAPACITOR,CHIP[CERAMIC M/L HD	0.1UF 50V Z Y5V(F) 1508 R/TP
		C477	0CH1104K942	O	CAPACITOR,CHIP[CERAMIC M/L HD	0.1UF 50V Z Y5V(F) 1508 R/TP
		C478	0CH4030K042	O	CAPA,CHIP CERAMIC M/L T.C F/S	3P 50V C N220 1.6X0.8 R/TP
		C479	0CH4030K042	O	CAPA,CHIP CERAMIC M/L T.C F/S	3P 50V C N220 1.6X0.8 R/TP
		C480	0CH1104K942	O	CAPACITOR,CHIP[CERAMIC M/L HD	0.1UF 50V Z Y5V(F) 1508 R/TP
		C481	0CH1104K942	O	CAPACITOR,CHIP[CERAMIC M/L HD	0.1UF 50V Z Y5V(F) 1508 R/TP
		C482	0CHZS-0001B	O	CAPACITOR,CHIP	GRM39X7R103K50C500 PT266 MURAT
		C501	0CH1104K942	O	CAPACITOR,CHIP[CERAMIC M/L HD	0.1UF 50V Z Y5V(F) 1508 R/TP
		C501	0CH4150K472	O	CAPA,CHIP CERAMIC M/L T.C F/S	15PF 50V J N750 1508 R/TP
		C502	0CH4150K472	O	CAPA,CHIP CERAMIC M/L T.C F/S	15PF 50V J N750 1508 R/TP
		C503	0CH1104K942	O	CAPACITOR,CHIP[CERAMIC M/L HD	0.1UF 50V Z Y5V(F) 1508 R/TP
		C504	0CH8107C621	O	CAPACITOR,CHIP[AL. ELECTROLYTI	100UF 6.3V M 85STD(CYL) R/TP
		C504	0CH8107F621	O	CAPA,CHIP AL.ELECTROLYTIC	100UF 16V M 6666 R/TP
		C505	0CH1104K942	O	CAPACITOR,CHIP[CERAMIC M/L HD	0.1UF 50V Z Y5V(F) 1508 R/TP
		C505	0CHZS-0002B	O	CAPACITOR,CHIP	GRM40Y5V104Z50C550 PT10 MURATA
		C506	0CHZS-0001B	O	CAPACITOR,CHIP	GRM39X7R103K50C500 PT266 MURAT
		C506	0CHZS-0002B	O	CAPACITOR,CHIP	GRM40Y5V104Z50C550 PT10 MURATA
		C507	0CH1562K516	O	CHIP CAPA CERAMIC M/L H.D F/S	5600P 50V K B 2.0X1.2 R/TP
		C507	0CH8107C621	O	CAPACITOR,CHIP[AL. ELECTROLYTI	100UF 6.3V M 85STD(CYL) R/TP
		C508	0CHZS-0001B	O	CAPACITOR,CHIP	GRM39X7R103K50C500 PT266 MURAT
		C508	0CHZS-0002B	O	CAPACITOR,CHIP	GRM40Y5V104Z50C550 PT10 MURATA
		C509	0CH1104K942	O	CAPACITOR,CHIP[CERAMIC M/L HD	0.1UF 50V Z Y5V(F) 1508 R/TP
		C509	0CHZS-0001B	O	CAPACITOR,CHIP	GRM39X7R103K50C500 PT266 MURAT
		C510	0CH1562K516	O	CHIP CAPA CERAMIC M/L H.D F/S	5600P 50V K B 2.0X1.2 R/TP
		C510	0CHZS-0002C	O	CAPACITOR,CHIP	GRM40Y5V105Z16D530 PT85 MURATA
		C511	0CH1104K942	O	CAPACITOR,CHIP[CERAMIC M/L HD	0.1UF 50V Z Y5V(F) 1508 R/TP
		C511	0CHZS-0002B	O	CAPACITOR,CHIP	GRM40Y5V104Z50C550 PT10 MURATA
		C512	0CH1104K942	O	CAPACITOR,CHIP[CERAMIC M/L HD	0.1UF 50V Z Y5V(F) 1508 R/TP
		C512	0CHZS-0002B	O	CAPACITOR,CHIP	GRM40Y5V104Z50C550 PT10 MURATA
		C513	0CH1104K942	O	CAPACITOR,CHIP[CERAMIC M/L HD	0.1UF 50V Z Y5V(F) 1508 R/TP
		C513	0CHZS-0002B	O	CAPACITOR,CHIP	GRM40Y5V104Z50C550 PT10 MURATA
		C514	0CH1682K562	O	CAPACITOR,CHIP[CERAMIC M/L HD	6800P 50V K X7R 1.6X0.8 R/TP
		C514	0CHZS-0001B	O	CAPACITOR,CHIP	GRM39X7R103K50C500 PT266 MURAT
		C515	0CH1682K562	O	CAPACITOR,CHIP[CERAMIC M/L HD	6800P 50V K X7R 1.6X0.8 R/TP
		C520	0CH1474H946	O	CAPA,CHIP CERAMIC M/L H.D F/S	0.4700UF 25V Z Y5V(F) 2012 R/T
		C521	0CH1474H946	O	CAPA,CHIP CERAMIC M/L H.D F/S	0.4700UF 25V Z Y5V(F) 2012 R/T
		C522	0CH1222K562	O	CAPACITOR,CHIP[CERAMIC M/L HD	2200PF 50V K X7R(X) 1608 R/TP
		C523	0CH1104K942	O	CAPACITOR,CHIP[CERAMIC M/L HD	0.1UF 50V Z Y5V(F) 1508 R/TP
		C524	0CH1104K942	O	CAPACITOR,CHIP[CERAMIC M/L HD	0.1UF 50V Z Y5V(F) 1508 R/TP
		C525	0CH1104K942	O	CAPACITOR,CHIP[CERAMIC M/L HD	0.1UF 50V Z Y5V(F) 1508 R/TP
		C528	0CH1104K942	O	CAPACITOR,CHIP[CERAMIC M/L HD	0.1UF 50V Z Y5V(F) 1508 R/TP
		C529	0CH7106F621	O	CAPACITOR,CHIP[TANTALUM]	10UF 16V M 3528MM TP(-)
		C530	0CH1104K942	O	CAPACITOR,CHIP[CERAMIC M/L HD	0.1UF 50V Z Y5V(F) 1508 R/TP
		C531	0CHZS-0002C	O	CAPACITOR,CHIP	GRM40Y5V105Z16D530 PT85 MURATA
		C533	0CH8107F621	O	CAPA,CHIP AL.ELECTROLYTIC	100UF 16V M 6666 R/TP
		C534	0CH1104K942	O	CAPACITOR,CHIP[CERAMIC M/L HD	0.1UF 50V Z Y5V(F) 1508 R/TP
		C535	0CHZS-0002C	O	CAPACITOR,CHIP	GRM40Y5V105Z16D530 PT85 MURATA
		C536	0CHZS-0002C	O	CAPACITOR,CHIP	GRM40Y5V105Z16D530 PT85 MURATA
		C537	0CH1104K942	O	CAPACITOR,CHIP[CERAMIC M/L HD	0.1UF 50V Z Y5V(F) 1508 R/TP
		C538	0CH8107F621	O	CAPA,CHIP AL.ELECTROLYTIC	100UF 16V M 6666 R/TP
		C540	0CH1104K942	O	CAPACITOR,CHIP[CERAMIC M/L HD	0.1UF 50V Z Y5V(F) 1508 R/TP
		C541	0CH1104K942	O	CAPACITOR,CHIP[CERAMIC M/L HD	0.1UF 50V Z Y5V(F) 1508 R/TP
		C543	0CH1104K942	O	CAPACITOR,CHIP[CERAMIC M/L HD	0.1UF 50V Z Y5V(F) 1508 R/TP
		C544	0CH1104K942	O	CAPACITOR,CHIP[CERAMIC M/L HD	0.1UF 50V Z Y5V(F) 1508 R/TP
		C546	0CH1104K942	O	CAPACITOR,CHIP[CERAMIC M/L HD	0.1UF 50V Z Y5V(F) 1508 R/TP
		C548	0CH1104K942	O	CAPACITOR,CHIP[CERAMIC M/L HD	0.1UF 50V Z Y5V(F) 1508 R/TP
		C549	0CH1104K942	O	CAPACITOR,CHIP[CERAMIC M/L HD	0.1UF 50V Z Y5V(F) 1508 R/TP
		C550	0CH1473H942	O	CAPA,CHIP CERAMIC M/L H.D F/S	0.0470UF 25V Z Y5V(F) 1608 R/T
		C551	0CH1473H942	O	CAPA,CHIP CERAMIC M/L H.D F/S	0.0470UF 25V Z Y5V(F) 1608 R/T
		C552	0CH1473H942	O	CAPA,CHIP CERAMIC M/L H.D F/S	0.0470UF 25V Z Y5V(F) 1608 R/T
		C553	0CH1104K942	O	CAPACITOR,CHIP[CERAMIC M/L HD	0.1UF 50V Z Y5V(F) 1508 R/TP
		C555	0CHZS-0001B	O	CAPACITOR,CHIP	GRM39X7R103K50C500 PT266 MURAT

RUN : 2000.10.28

S	AL	LOCA. NO.	PART NO.(LG)	A	DESCRIPTION	SPECIFICATION
		C557	0CH1104K942	O	CAPACITOR,CHIP[CERAMIC M/L HD	0.1UF 50V Z Y5V(F) 1508 R/TP
		C558	0CH1104K942	O	CAPACITOR,CHIP[CERAMIC M/L HD	0.1UF 50V Z Y5V(F) 1508 R/TP
		C601	0CH1104K942	O	CAPACITOR,CHIP[CERAMIC M/L HD	0.1UF 50V Z Y5V(F) 1508 R/TP
		C602	0CH1104K942	O	CAPACITOR,CHIP[CERAMIC M/L HD	0.1UF 50V Z Y5V(F) 1508 R/TP
		C602	0CHZS-0002B	O	CAPACITOR,CHIP	GRM40Y5V104Z50C550 PT10 MURATA
		C603	0CH7106C611	O	CAPA,CHIP TANRALUM	10UF 6.3V M 3216 TP(-)
		C604	0CH7106C611	O	CAPA,CHIP TANRALUM	10UF 6.3V M 3216 TP(-)
		C604	0CHZS-0002B	O	CAPACITOR,CHIP	GRM40Y5V104Z50C550 PT10 MURATA
		C605	0CH4101K412	O	CHIP CAPA CERAMIC M/L T.C F/S	100P 50V J COG 1.6X0.8 R/TP
		C605	0CH8107C621	O	CAPACITOR,CHIP[AL. ELECTROLYTI	100UF 6.3V M 85STD(CYL) R/TP
		C606	0CH4080K112	O	CHIP CAPA CERAMIC M/L T.C F/S	8P 50V D COG 1.6X0.8 R/TP
		C607	0CHZS-0001B	O	CAPACITOR,CHIP	GRM39X7R103K50C500 PT266 MURAT
		C608	0CHZS-0001B	O	CAPACITOR,CHIP	GRM39X7R103K50C500 PT266 MURAT
		C609	0CH7106C611	O	CAPA,CHIP TANRALUM	10UF 6.3V M 3216 TP(-)
		C701	0CH1104K942	O	CAPACITOR,CHIP[CERAMIC M/L HD	0.1UF 50V Z Y5V(F) 1508 R/TP
		C702	0CH1104K942	O	CAPACITOR,CHIP[CERAMIC M/L HD	0.1UF 50V Z Y5V(F) 1508 R/TP
		C702	0CH4101K412	O	CHIP CAPA CERAMIC M/L T.C F/S	100P 50V J COG 1.6X0.8 R/TP
		C703	0CH1104K942	O	CAPACITOR,CHIP[CERAMIC M/L HD	0.1UF 50V Z Y5V(F) 1508 R/TP
		C704	0CH1104K942	O	CAPACITOR,CHIP[CERAMIC M/L HD	0.1UF 50V Z Y5V(F) 1508 R/TP
		C704	0CHZS-0001B	O	CAPACITOR,CHIP	GRM39X7R103K50C500 PT266 MURAT
		C705	0CH4150K412	O	CAPA,CHIP CERAMIC M/L T.C F/S	15P 50V J COG 1.6X0.8 R/TP
		C705	0CHZS-0001B	O	CAPACITOR,CHIP	GRM39X7R103K50C500 PT266 MURAT
		C706	0CH4150K412	O	CAPA,CHIP CERAMIC M/L T.C F/S	15P 50V J COG 1.6X0.8 R/TP
		C706	0CHZS-0001B	O	CAPACITOR,CHIP	GRM39X7R103K50C500 PT266 MURAT
		C707	0CH1104K942	O	CAPACITOR,CHIP[CERAMIC M/L HD	0.1UF 50V Z Y5V(F) 1508 R/TP
		C707	0CHZS-0001B	O	CAPACITOR,CHIP	GRM39X7R103K50C500 PT266 MURAT
		C708	0CH1104K942	O	CAPACITOR,CHIP[CERAMIC M/L HD	0.1UF 50V Z Y5V(F) 1508 R/TP
		C708	0CHZS-0001B	O	CAPACITOR,CHIP	GRM39X7R103K50C500 PT266 MURAT
		C709	0CHZS-0001B	O	CAPACITOR,CHIP	GRM39X7R103K50C500 PT266 MURAT
		C710	0CHZS-0001B	O	CAPACITOR,CHIP	GRM39X7R103K50C500 PT266 MURAT
		C711	0CHZS-0001B	O	CAPACITOR,CHIP	GRM39X7R103K50C500 PT266 MURAT
		C712	0CH1473H942	O	CAPA,CHIP CERAMIC M/L H.D F/S	0.0470UF 25V Z Y5V(F) 1608 R/T
		C712	0CH4101K412	O	CHIP CAPA CERAMIC M/L T.C F/S	100P 50V J COG 1.6X0.8 R/TP
		C713	0CH1473H942	O	CAPA,CHIP CERAMIC M/L H.D F/S	0.0470UF 25V Z Y5V(F) 1608 R/T
		C713	0CH4101K412	O	CHIP CAPA CERAMIC M/L T.C F/S	100P 50V J COG 1.6X0.8 R/TP
		C714	0CH1104K942	O	CAPACITOR,CHIP[CERAMIC M/L HD	0.1UF 50V Z Y5V(F) 1508 R/TP
		C714	0CH4101K412	O	CHIP CAPA CERAMIC M/L T.C F/S	100P 50V J COG 1.6X0.8 R/TP
		C715	0CH1104K942	O	CAPACITOR,CHIP[CERAMIC M/L HD	0.1UF 50V Z Y5V(F) 1508 R/TP
		C715	0CH4101K412	O	CHIP CAPA CERAMIC M/L T.C F/S	100P 50V J COG 1.6X0.8 R/TP
		C716	0CH1104K942	O	CAPACITOR,CHIP[CERAMIC M/L HD	0.1UF 50V Z Y5V(F) 1508 R/TP
		C719	0CHZS-0001B	O	CAPACITOR,CHIP	GRM39X7R103K50C500 PT266 MURAT
		C720	0CHZS-0001B	O	CAPACITOR,CHIP	GRM39X7R103K50C500 PT266 MURAT
		C721	0CH7106C611	O	CAPA,CHIP TANRALUM	10UF 6.3V M 3216 TP(-)
		C721	0CHZS-0001B	O	CAPACITOR,CHIP	GRM39X7R103K50C500 PT266 MURAT
		C722	0CH7106C611	O	CAPA,CHIP TANRALUM	10UF 6.3V M 3216 TP(-)
		C722	0CHZS-0001B	O	CAPACITOR,CHIP	GRM39X7R103K50C500 PT266 MURAT
		C723	0CHZS-0001B	O	CAPACITOR,CHIP	GRM39X7R103K50C500 PT266 MURAT
		C724	0CH4101K412	O	CHIP CAPA CERAMIC M/L T.C F/S	100P 50V J COG 1.6X0.8 R/TP
		C725	0CH4101K412	O	CHIP CAPA CERAMIC M/L T.C F/S	100P 50V J COG 1.6X0.8 R/TP
		C726	0CH4101K412	O	CHIP CAPA CERAMIC M/L T.C F/S	100P 50V J COG 1.6X0.8 R/TP
		C727	0CH4101K412	O	CHIP CAPA CERAMIC M/L T.C F/S	100P 50V J COG 1.6X0.8 R/TP
		C728	0CH4101K412	O	CHIP CAPA CERAMIC M/L T.C F/S	100P 50V J COG 1.6X0.8 R/TP
		C729	0CH4101K412	O	CHIP CAPA CERAMIC M/L T.C F/S	100P 50V J COG 1.6X0.8 R/TP
		C730	0CH1104K942	O	CAPACITOR,CHIP[CERAMIC M/L HD	0.1UF 50V Z Y5V(F) 1508 R/TP
		C740	0CHZS-0001B	O	CAPACITOR,CHIP	GRM39X7R103K50C500 PT266 MURAT
		C741	0CHZS-0001B	O	CAPACITOR,CHIP	GRM39X7R103K50C500 PT266 MURAT
		C743	0CH1104K942	O	CAPACITOR,CHIP[CERAMIC M/L HD	0.1UF 50V Z Y5V(F) 1508 R/TP
		C750	0CH7106C611	O	CAPA,CHIP TANRALUM	10UF 6.3V M 3216 TP(-)
		C751	0CH7106C611	O	CAPA,CHIP TANRALUM	10UF 6.3V M 3216 TP(-)
		C801	0CN1040K948	O	CAPACITOR,TUBULAR(HIGH DIELEC)	0.1UF 50V Z F TA26 D
		C802	0CN1040K948	O	CAPACITOR,TUBULAR(HIGH DIELEC)	0.1UF 50V Z F TA26 D
		C804	0CE1073F638	O	CAPACITOR,ELECTROLYTIC	100M SRE 16V M FM5 TP(5)
		C805	0CN2230H948	O	CAPACITOR TUBULA(HIGH DIELE)	0.022M 25V Z F TA26
		C806	0CN2230H948	O	CAPACITOR TUBULA(HIGH DIELE)	0.022M 25V Z F TA26
		C807	0CN2230H948	O	CAPACITOR TUBULA(HIGH DIELE)	0.022M 25V Z F TA26
		C808	0CN1040K948	O	CAPACITOR,TUBULAR(HIGH DIELEC)	0.1UF 50V Z F TA26 D

RUN : 2000.10.28

S	AL	LOCA. NO.	PART NO.(LG)	A	DESCRIPTION	SPECIFICATION
		C809	0CN1040K948	O	CAPACITOR,TUBULAR(HIGH DIELEC)	0.1UF 50V Z F TA26 D
		C810	0CN1040K948	O	CAPACITOR,TUBULAR(HIGH DIELEC)	0.1UF 50V Z F TA26 D
		C811	0CN1010K418	O	CAPACITOR,TUBULAR(HIGH DIELEC)	100PF 50V J B TA26
		C812	0CN1010K418	O	CAPACITOR,TUBULAR(HIGH DIELEC)	100PF 50V J B TA26
		C813	0CN1010K418	O	CAPACITOR,TUBULAR(HIGH DIELEC)	100PF 50V J B TA26
		C814	0CN1010K418	O	CAPACITOR,TUBULAR(HIGH DIELEC)	100PF 50V J B TA26
		C815	0CN1040K948	O	CAPACITOR,TUBULAR(HIGH DIELEC)	0.1UF 50V Z F TA26 D
		C816	0CN1040K948	O	CAPACITOR,TUBULAR(HIGH DIELEC)	0.1UF 50V Z F TA26 D
		C890	0CN1040K948	O	CAPACITOR,TUBULAR(HIGH DIELEC)	0.1UF 50V Z F TA26 D
		C900	624-085D	O	CAPACITOR	CE 47UF/50V KME (SMPS)
		C901	624-088F	O	CAPACITOR	PCX2 275V 0.1UF,M (PILKO)
		C902	624-088F	O	CAPACITOR	PCX2 275V 0.1UF,M (PILKO)
		C903	624-082C	O	CAPACITOR,AL.ELECTROLYTIC	100MF/400V SHL SMPS S/Y
		C904	0CN223AK948	O	CAPACITOR,TUBULAR(HIGH DIELEC)	0.022UF 50V Z F TA26 S
		C905	0CQ1031Y519	O	CAPACITOR,POLYESTER	0.01UF D 630V K PE NI TP
		C906	624-087B	O	CAPACITOR	HIGH-VOL 100P/1KV SMPS SAMHWA
		C909	0CQ4732K409	O	CAPACITOR,POLYESTER(MYLAR)	0.047UF S 50V J PE TP
		C913	624-086E	O	CAPACITOR	AC-CON 472/400V(SC)
		C914	624-086E	O	CAPACITOR	AC-CON 472/400V(SC)
		C915	0CE2276D618	O	CAPACITOR,ELECTROLYTIC	220UF SMS 10V M FL TP5
		C916	0CE108BF638	O	CAPACITOR,AL.ELECTROLYTIC	1000UF KME TYPE 16V M FM5 TP 5
		C917	0CE4764K638	O	CAPACITOR,AL.ELECTROLYTIC	47M SRA 50V M FM5 TP(5)
		C918	0CE1076F638	O	CAPACITOR,AL.ELECTROLYTIC	100M SMS 16V M FM5 TP(5)
		C919	624-085D	O	CAPACITOR	CE 47UF/50V KME (SMPS)
		C921	624-085D	O	CAPACITOR	CE 47UF/50V KME (SMPS)
		C923	0CE108BF638	O	CAPACITOR,AL.ELECTROLYTIC	1000UF KME TYPE 16V M FM5 TP 5
		C924	0CE108BF638	O	CAPACITOR,AL.ELECTROLYTIC	1000UF KME TYPE 16V M FM5 TP 5
		C925	0CE3376D638	O	CAPACITOR,ELECTROLYTIC	330UF SMS 10V M FM5 TP5
		C926	624-085D	O	CAPACITOR	CE 47UF/50V KME (SMPS)
		C927	0CE4764K638	O	CAPACITOR,AL.ELECTROLYTIC	47M SRA 50V M FM5 TP(5)
		C928	0CQ4732K409	O	CAPACITOR,POLYESTER(MYLAR)	0.047UF S 50V J PE TP
		C929	0CE1076F638	O	CAPACITOR,AL.ELECTROLYTIC	100M SMS 16V M FM5 TP(5)
		C930	0CE4764K638	O	CAPACITOR,AL.ELECTROLYTIC	47M SRA 50V M FM5 TP(5)
		C931	0CE4764K638	O	CAPACITOR,AL.ELECTROLYTIC	47M SRA 50V M FM5 TP(5)
		C932	0CE1076F638	O	CAPACITOR,AL.ELECTROLYTIC	100M SMS 16V M FM5 TP(5)
		C933	0CE3376D638	O	CAPACITOR,ELECTROLYTIC	330UF SMS 10V M FM5 TP5
		C934	0CE1076F638	O	CAPACITOR,AL.ELECTROLYTIC	100M SMS 16V M FM5 TP(5)
		C935	0CE1064H638	O	CAPACITOR,ELECTROLYTIC	10M SRA 25V M FM5 TP(5)
		C936	0CE1076F638	O	CAPACITOR,AL.ELECTROLYTIC	100M SMS 16V M FM5 TP(5)
		C937	0CE228CF630	O	CAPACITOR,ELECTROLYTIC	2200U SHL 16V M FM5
		C938	0CE1064H638	O	CAPACITOR,ELECTROLYTIC	10M SRA 25V M FM5 TP(5)
		C999	0CH1105F946	O	CAPACITOR,CHIP[CERAMIC M/L HD	1UF 16V Z Y5V(F) 2012 R/TP
<b>DIODE</b>						
		BD901	0DD160000DA	O	DIODE	S1WBA60(1A 600V) SHIDENKEN
		D101	0DD187009AC	O	DIODE	KDS187 CHIP KEC TP KEC
		D201	0DS121009AA	O	DIODE,SWITCHING	KDS121 TP KEC UMT 85V 300MA 2A
		D401	0DS121009AA	O	DIODE,SWITCHING	KDS121 TP KEC UMT 85V 300MA 2A
		D502	0DD187009AC	O	DIODE	KDS187 CHIP KEC TP KEC
		D701	0DS121009AA	O	DIODE,SWITCHING	KDS121 TP KEC UMT 85V 300MA 2A
		D901	0DD221009AA	O	DIODE	ERA22-10 KFLB,TP ,R T/P,FUJI
		D902	0DD010009AC	O	DIODE	EU01W(R-FORM) TP SANKEN
		D906	0DR310000AA	O	DIODE,RECTIFIER	RU3YXLF-C1 BK SANKEN D4 100V 2
		D907	0DD010009AC	O	DIODE	EU01W(R-FORM) TP SANKEN
		D908	0DD010009AC	O	DIODE	EU01W(R-FORM) TP SANKEN
		D909	0DRSA00020A	O	DIODE,RECTIFIERS	FMB-G24H LF651 SANKEN BK NON
		D910	0DD010009AC	O	DIODE	EU01W(R-FORM) TP SANKEN
		D911	0DR104009AB	O	DIODE,RECTIFIER	RL104 R. TP GULF SEMICONDUCTOR
		D920	0DD010009AC	O	DIODE	EU01W(R-FORM) TP SANKEN
<b>FUSE,HOLDER,DIGITRON</b>						
		F901	585-027B	O	FUSE,SLOW BLOW	1600MA 250 V 5.2X20 CY/GL KS /
		FH01	586-008B	O	HOLDER	FUSE CLIP TP SINSUNG
		FH02	586-008B	O	HOLDER	FUSE CLIP TP SINSUNG
		FLD801	6302S-V007A	O	DIGITRON	16BT-72GNK FUTABA CDR-600

RUN : 2000.10.28

S	AL	LOCA. NO.	PART NO.(LG)	A	DESCRIPTION	SPECIFICATION
<b>IC,SENSOR</b>						
		IC101	0ISO258100A	O	IC,SONY	CXA2581N 30PIN TP RFIC
		IC101	0ITR613002E	O	IC,TOREX SEMICONDUCTOR	XC61CN3002PR 3P SOT-89 TP VOL
		IC101	657-063A	O	SENSOR	LTV-817B,PHOTO COUPLER(LITEON)
		IC102	0IJR456500A	O	IC, JRC(JAPAN RADIO CORP.)	NJM4565M-A,OP-AMP,JRC
		IC102	0IRH033000A	O	IC,ROHM	BA033SFP P/MOLD-5 TP REGULATOR
		IC103	0IJR456500A	O	IC, JRC(JAPAN RADIO CORP.)	NJM4565M-A,OP-AMP,JRC
		IC103	0IRH393900A	O	IC,ROHM	BA3939FP-E2
		IC104	0IJR553200A	O	IC,JRC(JAPAN RADIO CORP.)	NJM5532 OP AMP JRC
		IC105	0IAK439320A	O	IC,AKM	AK4393VF-E2 28SOP TP DAC 1K RE
		IC106	0IPH740400F	O	IC,PHILIPS	74HCU04D SOT108-1 TP INVERTER
		IC107	0IPH740400F	O	IC,PHILIPS	74HCU04D SOT108-1 TP INVERTER
		IC108	0IRH405300A	O	IC,ROHM	BU4053BCFV 16P,SSOP TP TRIPLE
		IC109	0IRH405300A	O	IC,ROHM	BU4053BCFV 16P,SSOP TP TRIPLE
		IC110	0IRH405300A	O	IC,ROHM	BU4053BCFV 16P,SSOP TP TRIPLE
		IC112	0IAK535120A	O	IC,AKM	AK5351VF-E2 24SOP TP ADC 1K RE
		IC201	0IOA979000A	O	IC,OAK TECHNOLOGY	OTI-9790 CD-R/RW CONTROLLER TP
		IC201	GISO301110A	O	IC,SONY	CXD3011R-1 144,LQFP BK DSP
		IC203	0IGS711816J	O	IC,LG SEMICONDUCTOR	GM71V18163CT-6 44TSOP BK 16MDR
		IC301	0IMI567880A	O	IC,MITSUBISHI	M56788FP 42 SSOP TP DRIVE
		IC301	0IVC000100A	O	IC,VERSACHIPS	VC00S01 80 QFP BK FPGA ASIC AC
		IC302	0IW1242573A	O	IC,WINBOND	W24257AS-35 (TAPE&REEL) 1K/TP
		IC302	DITO453000C	O	IC,TOSHIBA	TC4W53FU SSOP 8PIN
		IC303	0ITO704000A	O	IC,TOSHIBA	TC7S04F INVERTER(GE85L)
		IC304	0IFA405300A	O	IC,FAIRCHILD	CD4053BCMX 16PIN,SOP TP MULTIP
		IC306	0ICB842000B	O	IC,CRYSTAL SEMICONDUCTOR	CS8420-CS(REV D) 28L SOIC TP D
		IC307	0IFA405300A	O	IC,FAIRCHILD	CD4053BCMX 16PIN,SOP TP MULTIP
		IC310	0ITO704000A	O	IC,TOSHIBA	TC7S04F INVERTER(GE85L)
		IC401	0IAK439320A	O	IC,AKM	AK4393VF-E2 28SOP TP DAC 1K RE
		IC401	0ISA119950A	O	IC,SANYO	LB11995H-TLM 28P HSOP TP MOTOR
		IC401	GISO255100A	O	IC,SONY	CXA2551R 100PIN LQFP TP RF AMP
		IC402	0IJR210000A	O	IC,JRC	NJM2100M-TE1-DMP,OP AMP,JRC
		IC403	0IJR210000A	O	IC,JRC	NJM2100M-TE1-DMP,OP AMP,JRC
		IC403	0IJR340300A	O	IC,JRC	NJM3403AV-TE1 OP AMP
		IC404	0IJR290300D	O	IC,JRC	NJM2903V-TE1 8P SSOP TP COMPAR
		IC404	0IJR553200A	O	IC, JRC(JAPAN RADIO CORP.)	NJM5532 OP AMP JRC
		IC405	0IRH405200C	O	IC,ROHM	BU4052BCFV SSOP-B16 TP DUAL 4C
		IC406	0IJR341400C	O	IC,JRC	NJM3414AM-TE1,3K/REEL. JRC
		IC406	0IJR456000B	O	IC,JRC	NJM4560M-TE1-DMP,OP AMP,JRC
		IC407	0INS766500A	O	IC,NATIONAL SEMICONDUCTOR	NC7SZ66M5X SOT23 TP SINGLE BIL
		IC409	0IMI623520A	O	IC,MITSUBISHI	M62352GP 20P SSOP TP 12CH D/A
		IC411	0IJR340400B	O	IC,JRC	NJM3404AV SIP-8 TP SINGLE-SUPP
		IC412	0ITO708000D	O	IC,TOSHIBA	TC7W08FUDUAL 2 INPUT AND GATE
		IC413	0IET224500A	O	IC,ELANTEC	EL2245CS S08 TP ALPC 2CH OP AM
		IC414	0INS766500A	O	IC,NATIONAL SEMICONDUCTOR	NC7SZ66M5X SOT23 TP SINGLE BIL
		IC501	6957R-0112B	O	IC,HITACHI	HD64F3062AFBL FP-100B TP MICOM
		IC502	0IRH592500A	O	IC,ROHM	BA5925FV SSOP-B28 TP SLED
		IC502	0ITR613002E	O	IC,TOREX SEMICONDUCTOR	XC61CN3002PR 3P SOT-89 TP VOL
		IC508	0IRH405300A	O	IC,ROHM	BU4053BCFV 16P,SSOP TP TRIPLE
		IC509	0IJR340400B	O	IC,JRC	NJM3404AV SIP-8 TP SINGLE-SUPP
		IC510	0IRH666400A	O	IC,ROHM	BA6664FM HSOP28 TP NOTOR DRIVE
		IC511	0IJR780800C	O	IC,JRC	NJM7808DLA 3 TP REGULATOR
		IC512	0IJR780800C	O	IC,JRC	NJM7808DLA 3 TP REGULATOR
		IC514	0IJR341400C	O	IC,JRC	NJM3414AM-TE1,3K/REEL. JRC
		IC601	0ICP010000A	O	IC,CROSS SNT	CST0100C 44QFP BK ASIC
		IC601	0IRH393900A	O	IC,ROHM	BA3939FP-E2
		IC602	0IFA405300A	O	IC,FAIRCHILD	CD4053BCMX 16PIN,SOP TP MULTIP
		IC701	0IHI643062B	O	IC,HITACHI	HD64F3062AFBL FP-100B TP MICOM
		IC702	0IFA938680A	O	IC,FAIRCHILD	FM93C86AM8X 8P SOP TP EEPROM 1
		IC801	0IMA125110A	O	IC,MATSUSHITA	MN12511 SOP024 TP FLD DRIVE
		IC802	0IMA125110A	O	IC,MATSUSHITA	MN12511 SOP024 TP FLD DRIVE
		IC901	0ISK615300A	O	IC,SANKEN	STR-G6153T 5PIN FM CUT BK PWM
		IC902	657-063A	O	SENSOR	LTV-817B,PHOTO COUPLER(LITEON)
		IC904	0ISS431000A	O	IC,SAMSUNG ELECTRONICS	KA431AZ (LM431AZ)



RUN : 2000.10.28

S	AL	LOCA. NO.	PART NO.(LG)	A	DESCRIPTION	SPECIFICATION
		IC905	0ISS781200E	O	IC,SAMSUNG SEMICONDUCTOR	KA78R12 TO-220 LD 1A REGL
		IC906	0ISS791200A	O	IC,SAMSUNG SEMICONDUCTOR	KA7912 ST REGULATOR IC
		IC907	0IKE781200B	O	IC,KEC	KIA7812PI 12V 1A,KEC
		RMC801	0IRH693840A	O	IC,ROHM	RPM6938-V4 3P BK REMOCON MODUL
<b>JACK,COIL,FILTER</b>						
		JACK	353-046K	O	SCREW	SPECIAL (3X10 B.K)
		JK101	6612S-C008A	O	JACK,RCA	PJ6031 PARK ELEC 12YEON ACDR
		JK102	6612S-A005A	O	JACK,HEADPHONE	LGA6502-0150 SMK 2YEON .
		JK103	6620S-L001A	O	SOCKET (CIRC),FIBER OPTIC	GP1F32T SHARP OPTICAL "H"
		JK105	6612R-L002A	O	JACK,FIBER OPTIC	TORX178 TOSHIBA . .
		JK801	6612S-C004A	O	JACK,RCA	WA6013-35-40 PARK ELEC ORANGE
		JK802	572-359J	O	JACK 6.4	SOQ4694-01-4101 K-HOSIDEN H=6.
		L103	6140H-A001A	O	FILTER(CIRC),EMI	BEAD C,HH-1H4532-121JT.CERATEH
		L103	6200S-JC01A	O	FILTER(CIRC),EMI	HB-1M2012-121JT CERATECH SMD T
		L104	6200S-JC01A	O	FILTER(CIRC),EMI	HB-1M2012-121JT CERATECH SMD T
		L202	6140H-B003G	O	COIL	NLC322522T-100K 10MH TDK
		L203	6140H-A001A	O	FILTER(CIRC),EMI	BEAD C,HH-1H4532-121JT.CERATEH
		L301	6140H-A001A	O	FILTER(CIRC),EMI	BEAD C,HH-1H4532-121JT.CERATEH
		BC901	636-004C	O	COIL	BEAD CORE BFS3550R2FD8,R T/P
		L302	6140H-B003G	O	COIL	NLC322522T-100K 10MH TDK
		L306	6140H-B003G	O	COIL	NLC322522T-100K 10MH TDK
		L308	6140H-B003G	O	COIL	NLC322522T-100K 10MH TDK
		L401	6140H-B003G	O	COIL	NLC322522T-100K 10MH TDK
		L402	6140H-B003G	O	COIL	NLC322522T-100K 10MH TDK
		L403	6140H-B003G	O	COIL	NLC322522T-100K 10MH TDK
		L501	6140H-B003G	O	COIL	NLC322522T-100K 10MH TDK
		L701	6140H-B003G	O	COIL	NLC322522T-100K 10MH TDK
		L901	616-145M	O	FILTER(CIRC)	V-04350 LS FUTAI BULK =616-145
		L903	633-088D	O	COIL,CHOKE	CHOCK ,20UH,LEAD CUT
		L904	633-088D	O	COIL,CHOKE	CHOCK ,20UH,LEAD CUT
		L905	633-088G	O	COIL,CHOKE	CHOCK(22MH) TP 5MM
		L908	633-088G	O	COIL,CHOKE	CHOCK(22MH) TP 5MM
		L909	633-088G	O	COIL,CHOKE	CHOCK(22MH) TP 5MM
		L910	633-088G	O	COIL,CHOKE	CHOCK(22MH) TP 5MM
		L911	633-088G	O	COIL,CHOKE	CHOCK(22MH) TP 5MM
<b>LED,RELAY</b>						
		LD801	0DL341829AA	O	LED	SM3418F2T TP AUK GREEN .
		LD802	0DL341829AA	O	LED	SM3418F2T TP AUK GREEN .
		LD803	0DL341829AA	O	LED	SM3418F2T TP AUK GREEN .
		LD804	0DL341829AA	O	LED	SM3418F2T TP AUK GREEN .
		LD805	0DL341829AA	O	LED	SM3418F2T TP AUK GREEN .
		LD806	0DL341829AA	O	LED	SM3418F2T TP AUK GREEN .
		LD807	0DL341829AA	O	LED	SM3418F2T TP AUK GREEN .
		LD808	0DL341829AA	O	LED	SM3418F2T TP AUK GREEN .
		LD809	0DL341829AA	O	LED	SM3418F2T TP AUK GREEN .
		LD810	0DL341829AA	O	LED	SM3418F2T TP AUK GREEN .
		LD811	0DL341829AA	O	LED	SM3418F2T TP AUK GREEN .
		LD812	0DL341829AA	O	LED	SM3418F2T TP AUK GREEN .
		LD813	0DL341829AA	O	LED	SM3418F2T TP AUK GREEN .
		LD814	0DL341829AA	O	LED	SM3418F2T TP AUK GREEN .
		LD815	0DL341829AA	O	LED	SM3418F2T TP AUK GREEN .
		LED801	0DL325319AA	O	LED	SPR325MVWT31 TP ROHM GREEN/RED
		LY402	6920S-0001A	O	RELAY	UD2H-1U-5VDC YUYU 5V 40MA 5V 4
<b>CONNECTOR</b>						
		PN105	6630R3S006A	O	CONNECTOR (CIRC)	GT200 LG CABLE 6PIN 2.0MM STRA
		PN105	6630S-FB07P	O	CONNECTOR (CIRC),FFC/FPC	00-6232-016-008-800 ELCO KOREA
		PN201	561-644J	O	CONNECTOR	52147-1010 K-MOLEX 10PIN 2.0MM
		PN201	6630R-FB02Q	O	CONNECTOR (CIRC),FFC/FPC	04-6232-117-008-800 ELCO 17PIN
		PN201	6630R3S006A	O	CONNECTOR (CIRC)	GT200 LG CABLE 6PIN 2.0MM STRA
		PN301	6630R-FB02D	O	CONNECTOR (CIRC),FFC/FPC	04-6232-104-008-800 ELCO 4PIN
		PN302	6630R-FB06F	O	CONNECTOR (CIRC),FFC/FPC	04-6232-106-102-800 ELCO 6PIN
		PN401	561-711F	O	CONNECTOR	*WAFER,G/S GIL-S-06P-S2T-EF
		PN401	6630R-FB02M	O	CONNECTOR (CIRC),FFC/FPC	04-6232-113-008-800 ELCO 13PIN
		PN501	561-715F	O	CONNECTOR	GIL-G-06P-S3T2-E LG CABLE 6PIN
		PN601	6630R3S006E	O	CONNECTOR (CIRC)	GT200 LG CABLE 9PIN 2MM STRAIG

RUN : 2000.10.28

S	AL	LOCA. NO.	PART NO.(LG)	A	DESCRIPTION	SPECIFICATION
		PN602	6630R3S006D	O	CONNECTOR (CIRC)	GT200 LG CABLE 8PIN 2.0MM STRA
		PN603	6630R3S006C	O	CONNECTOR (CIRC)	GT200 LG CABLE 10PIN 2.0MM STR
		PN604	6630R3S006A	O	CONNECTOR (CIRC)	GT200 LG CABLE 6PIN 2.0MM STRA
		PN605	6630HXC126A	O	CONNECTOR (CIRC),FFC/FPC	04-6232-126-008-800 ELCO 26PIN
		PN606	6630R3S006C	O	CONNECTOR (CIRC)	GT200 LG CABLE 10PIN 2.0MM STR
		PN609	6630R-FB02F	O	CONNECTOR (CIRC),FFC/FPC	04-6232-106-008-800 ELCO 6PIN
		PN801	6630S-BC01H	O	CONNECTOR (CIRC)	B TO B P=1.25 8 PIN, 52061-081
		PN802	561-643C	O	CONNECTOR	52151-0310 K-MOLEX 3PIN 2.0MM
		PN8802	6630R-BF03E	O	CONNECTOR (CIRC),BOARD TO BOAR	JE121-05 JAE EUN 5PIN 2.54MM B
		PN904	561-711HAAA	O	CONNECTOR	*WAFER,G/S GIL-S-08P-S2T2-EF
		PW901	561-292B	O	CONNECTOR	GP390 LGC 3P 3.96 STRAIGHT SN

**TRANSISTOR**

		Q101	0TR103709BB	O	TRANSISTOR	2SA1037K-Q CHIP ROHM-J
		Q102	0TR144009AH	O	TRANSISTOR	DTC144EK CHIP ROHM-J
		Q104	0TR144009AI	O	TRANSISTOR	DTA144EK CHIP ROHM-J
		Q105	0TR144009AH	O	TRANSISTOR	DTC144EK CHIP ROHM-J
		Q201	0TR103009AF	O	TRANSISTOR	KRA103M-TP (KRA2203) KEC
		Q202	0TR319809AC	O	TRANSISTOR	KTC3198-TP-BL (KTC1815)KEC
		Q203	0TR319809AC	O	TRANSISTOR	KTC3198-TP-BL (KTC1815)KEC
		Q204	0TR130209AA	O	TRANSISTOR	KTD1302 MUTING TP KEC TO92
		Q205	0TR103009AF	O	TRANSISTOR	KRA103M-TP (KRA2203) KEC
		Q206	0TR319809AC	O	TRANSISTOR	KTC3198-TP-BL (KTC1815)KEC
		Q207	0TR130209AA	O	TRANSISTOR	KTD1302 MUTING TP KEC TO92
		Q208	0TR130209AA	O	TRANSISTOR	KTD1302 MUTING TP KEC TO92
		Q401	0TR130409BA	O	TRANSISTOR	KTD1304S TP KEC SOT-23 MUTING
		Q401	0TR144009AH	O	TRANSISTOR	DTC144EK CHIP ROHM-J
		Q401	0TR319809AC	O	TRANSISTOR	KTC3198-TP-BL (KTC1815)KEC
		Q402	0TR144009AH	O	TRANSISTOR	DTC144EK CHIP ROHM-J
		Q402	0TR319809AC	O	TRANSISTOR	KTC3198-TP-BL (KTC1815)KEC
		Q403	0TR130209AA	O	TRANSISTOR	KTD1302 MUTING TP KEC TO92
		Q403	0TR130409BA	O	TRANSISTOR	KTD1304S TP KEC SOT-23 MUTING
		Q403	0TR144009AH	O	TRANSISTOR	DTC144EK CHIP ROHM-J
		Q404	0TR130209AA	O	TRANSISTOR	KTD1302 MUTING TP KEC TO92
		Q404	0TR144009AH	O	TRANSISTOR	DTC144EK CHIP ROHM-J
		Q405	0TR103009AF	O	TRANSISTOR	KRA103M-TP (KRA2203) KEC
		Q405	0TR144009AH	O	TRANSISTOR	DTC144EK CHIP ROHM-J
		Q410	0TR319809AC	O	TRANSISTOR	KTC3198-TP-BL (KTC1815)KEC
		Q411	0TR319809AC	O	TRANSISTOR	KTC3198-TP-BL (KTC1815)KEC
		Q801	0TR102009AE	O	TRANSISTOR	KRA102M (KRA2202) TP KEC TO
		Q901	0TR319809AC	O	TRANSISTOR	KTC3198-TP-BL (KTC1815)KEC
		Q902	0TR115100AA	O	TRANSISTOR	KSB1151-Y BK SAMSUNG TO-126
		Q904	0TR103009AF	O	TRANSISTOR	KRA103M-TP (KRA2203) KEC
		Q907	0TR115100AA	O	TRANSISTOR	KSB1151-Y BK SAMSUNG TO-126
		Q908	0TR319809AC	O	TRANSISTOR	KTC3198-TP-BL (KTC1815)KEC
		Q910	0TR130209AA	O	TRANSISTOR	KTD1302 MUTING TP KEC TO92
		Q911	0TR130209AA	O	TRANSISTOR	KTD1302 MUTING TP KEC TO92

**RESISTER**

		C325	0RH8200C622	O	RESISTOR,CHIP	820 1/16W 5 D.R/TP
		R101	0RH0152C622	O	RESISTOR,CHIP	15 1/16W 5 D.R/TP
		R101	0RH0472D622	O	RESISTOR,CHIP	47 1/10W 5 D.R/TP
		R101	0RH2702C622	O	RESISTOR,CHIP	27K 1/16W 5 D.R/TP
		R102	0RH0152C622	O	RESISTOR,CHIP	15 1/16W 5 D.R/TP
		R102	0RH0472D622	O	RESISTOR,CHIP	47 1/10W 5 D.R/TP
		R102	0RH8202C622	O	RESISTOR,CHIP	82K 1/16W 5 D.R/TP
		R103	0RH0222C622	O	RESISTOR,CHIP	22 1/16W 5 D.R/TP
		R103	0RH0472D622	O	RESISTOR,CHIP	47 1/10W 5 D.R/TP
		R103	0RH1002C622	O	RESISTOR,CHIP	10K 1/16W 5 D.R/TP
		R104	0RH0000C622	O	RESISTOR,CHIP	0 1/16W 5 D.R/TP
		R104	0RH1502C622	O	RESISTOR,CHIP	15K 1/16W 5 D.R/TP
		R104	0RH4700D622	O	RESISTOR,CHIP	470 1/10W 5 D.R/TP
		R105	0RH1502C622	O	RESISTOR,CHIP	15K 1/16W 5 D.R/TP
		R105	0RH3300D622	O	RESISTOR,CHIP	330 1/10W 5 D.R/TP
		R106	0RH0000C622	O	RESISTOR,CHIP	0 1/16W 5 D.R/TP
		R106	0RH3300D622	O	RESISTOR,CHIP	330 1/10W 5 D.R/TP
		R107	0RH1203C622	O	RESISTOR,CHIP	120K 1/16W 5 D.R/TP

RUN : 2000.10.28

S	AL	LOCA. NO.	PART NO.(LG)	A	DESCRIPTION	SPECIFICATION
		R107	0RH3300D622	O	RESISTOR,CHIP	330 1/10W 5 D.R/TP
		R108	0RH1803C622	O	RESISTOR,CHIP	180K 1/16W 5 D.R/TP
		R108	0RH3300D622	O	RESISTOR,CHIP	330 1/10W 5 D.R/TP
		R109	0RH0472D622	O	RESISTOR,CHIP	47 1/10W 5 D.R/TP
		R110	0RH4702D622	O	RESISTOR,CHIP	47K 1/10W 5 D.R/TP
		R111	0RH3300D622	O	RESISTOR,CHIP	330 1/10W 5 D.R/TP
		R112	0RH4702D622	O	RESISTOR,CHIP	47K 1/10W 5 D.R/TP
		R113	0RH1001C622	O	RESISTOR,METAL GLAZED(CHIP)	1KOHM 1 / 16 W 1608 5.00% D
		R113	0RH4702D622	O	RESISTOR,CHIP	47K 1/10W 5 D.R/TP
		R114	0RH4702D622	O	RESISTOR,CHIP	47K 1/10W 5 D.R/TP
		R115	0RH4702D622	O	RESISTOR,CHIP	47K 1/10W 5 D.R/TP
		R116	0RH1002D622	O	RESISTOR,CHIP	10K 1/10W 5 D.R/TP
		R117	0RH0000D622	O	RESISTOR,CHIP	0 1/10W 5 D.R/TP
		R118	0RH1002D622	O	RESISTOR,CHIP	10K 1/10W 5 D.R/TP
		R119	0RH1002D622	O	RESISTOR,CHIP	10K 1/10W 5 D.R/TP
		R120	0RH4701D622	O	RESISTOR,CHIP	4.7K 1/10W 5 D.R/TP
		R121	0RH4701D622	O	RESISTOR,CHIP	4.7K 1/10W 5 D.R/TP
		R122	0RH3302C622	O	RESISTOR,CHIP	33K 1/16W 5 D.R/TP
		R124	0RH1002C622	O	RESISTOR,CHIP	10K 1/16W 5 D.R/TP
		R124	0RH1002D622	O	RESISTOR,CHIP	10K 1/10W 5 D.R/TP
		R125	0RH1002C622	O	RESISTOR,CHIP	10K 1/16W 5 D.R/TP
		R125	0RH1002D622	O	RESISTOR,CHIP	10K 1/10W 5 D.R/TP
		R126	0RH1002C622	O	RESISTOR,CHIP	10K 1/16W 5 D.R/TP
		R126	0RH3301D622	O	RESISTOR,CHIP	3.3K 1/10W 5 D.R/TP
		R127	0RH1003C622	O	RESISTOR,CHIP	100K 1/16W 5 D.R/TP
		R127	0RH3301D622	O	RESISTOR,CHIP	3.3K 1/10W 5 D.R/TP
		R128	0RH2701D622	O	RESISTOR,CHIP	2.7K 1/10W 5 D.R/TP
		R128	0RH6802C622	O	RESISTOR,CHIP	68K 1/16W 5 D.R/TP
		R129	0RH2701D622	O	RESISTOR,CHIP	2.7K 1/10W 5 D.R/TP
		R130	0RH3901D622	O	RESISTOR,CHIP	3.9K 1/10W 5 D.R/TP
		R131	0RH1002C622	O	RESISTOR,CHIP	10K 1/16W 5 D.R/TP
		R131	0RH3301D622	O	RESISTOR,CHIP	3.3K 1/10W 5 D.R/TP
		R132	0RH2202D622	O	RESISTOR,CHIP	22K 1/10W 5 D.R/TP
		R132	0RH6801C622	O	RESISTOR,CHIP	6.8K 1/16W 5 D.R/TP
		R133	0RH1002C622	O	RESISTOR,CHIP	10K 1/16W 5 D.R/TP
		R133	0RH4701D622	O	RESISTOR,CHIP	4.7K 1/10W 5 D.R/TP
		R134	0RH2202D622	O	RESISTOR,CHIP	22K 1/10W 5 D.R/TP
		R135	0RH0222D622	O	RESISTOR,CHIP	22 1/10W 5 D.R/TP
		R136	0RH0222D622	O	RESISTOR,CHIP	22 1/10W 5 D.R/TP
		R138	0RH3301D622	O	RESISTOR,CHIP	3.3K 1/10W 5 D.R/TP
		R139	0RH2201C622	O	RESISTOR,CHIP	2.2K 1/16W 5 D.R/TP
		R140	0RH1001D622	O	RESISTOR,CHIP	1.0K 1/10W 5 D.R/TP
		R140	0RH2201C622	O	RESISTOR,CHIP	2.2K 1/16W 5 D.R/TP
		R141	0RH3301D622	O	RESISTOR,CHIP	3.3K 1/10W 5 D.R/TP
		R142	0RH1000D622	O	RESISTOR,CHIP	100 1/10W 5 D.R/TP
		R145	0RH3301D622	O	RESISTOR,CHIP	3.3K 1/10W 5 D.R/TP
		R146	0RH3301D622	O	RESISTOR,CHIP	3.3K 1/10W 5 D.R/TP
		R146	0RH3901C622	O	RESISTOR,CHIP	3.9K 1/16W 5 D.R/TP
		R147	0RH0000C622	O	RESISTOR,CHIP	0 1/16W 5 D.R/TP
		R147	0RH3301D622	O	RESISTOR,CHIP	3.3K 1/10W 5 D.R/TP
		R148	0RH0000C622	O	RESISTOR,CHIP	0 1/16W 5 D.R/TP
		R201	0RH1002D622	O	RESISTOR,CHIP	10K 1/10W 5 D.R/TP
		R201	0RH2202C622	O	RESISTOR,CHIP	22K 1/16W 5 D.R/TP
		R202	0RH1001D622	O	RESISTOR,CHIP	1.0K 1/10W 5 D.R/TP
		R202	0RH3302C622	O	RESISTOR,CHIP	33K 1/16W 5 D.R/TP
		R203	0RH1002C622	O	RESISTOR,CHIP	10K 1/16W 5 D.R/TP
		R203	0RH4701D622	O	RESISTOR,CHIP	4.7K 1/10W 5 D.R/TP
		R204	0RH1001D622	O	RESISTOR,CHIP	1.0K 1/10W 5 D.R/TP
		R205	0RH3901D622	O	RESISTOR,CHIP	3.9K 1/10W 5 D.R/TP
		R206	0RH1002D622	O	RESISTOR,CHIP	10K 1/10W 5 D.R/TP
		R208	0RH1201D622	O	RESISTOR,CHIP	1.2K 1/10W 5 D.R/TP
		R208	0RH3302C622	O	RESISTOR,CHIP	33K 1/16W 5 D.R/TP
		R209	0RH1201D622	O	RESISTOR,CHIP	1.2K 1/10W 5 D.R/TP
		R210	0RH1501D622	O	RESISTOR,CHIP	1.5K 1/10W 5 D.R/TP
		R211	0RH1001D622	O	RESISTOR,CHIP	1.0K 1/10W 5 D.R/TP
		R212	0RH1001D622	O	RESISTOR,CHIP	1.0K 1/10W 5 D.R/TP

RUN : 2000.10.28

S	AL	LOCA. NO.	PART NO.(LG)	A	DESCRIPTION	SPECIFICATION
		R213	0RH1501D622	O	RESISTOR CHIP	1.5K 1/10W 5 D.R/TP
		R213	0RH2202C622	O	RESISTOR,CHIP	22K 1/16W 5 D.R/TP
		R214	0RH1001D622	O	RESISTOR,CHIP	1.0K 1/10W 5 D.R/TP
		R214	0RH1002C622	O	RESISTOR,CHIP	10K 1/16W 5 D.R/TP
		R215	0RH1201D622	O	RESISTOR,CHIP	1.2K 1/10W 5 D.R/TP
		R216	0RH1201D622	O	RESISTOR,CHIP	1.2K 1/10W 5 D.R/TP
		R216	0RH3302C622	O	RESISTOR,CHIP	33K 1/16W 5 D.R/TP
		R217	0RH1501D622	O	RESISTOR CHIP	1.5K 1/10W 5 D.R/TP
		R217	0RH6802C622	O	RESISTOR,CHIP	68K 1/16W 5 D.R/TP
		R218	0RH1502D622	O	RESISTOR,CHIP	15K 1/10W 5 D.R/TP
		R218	0RH1503C622	O	RESISTOR,CHIP	150K 1/16W 5 D.R/TP
		R219	0RH1002C622	O	RESISTOR,CHIP	10K 1/16W 5 D.R/TP
		R219	0RH1501D622	O	RESISTOR CHIP	1.5K 1/10W 5 D.R/TP
		R220	0RH1002C622	O	RESISTOR,CHIP	10K 1/16W 5 D.R/TP
		R221	0RH1002C622	O	RESISTOR,CHIP	10K 1/16W 5 D.R/TP
		R222	0RH1001D622	O	RESISTOR,CHIP	1.0K 1/10W 5 D.R/TP
		R222	0RH3301C622	O	RESISTOR,CHIP	3.3K 1/16W 5 D.R/TP
		R223	0RH1001D622	O	RESISTOR,CHIP	1.0K 1/10W 5 D.R/TP
		R223	0RH3301C622	O	RESISTOR,CHIP	3.3K 1/16W 5 D.R/TP
		R224	0RH1001D622	O	RESISTOR,CHIP	1.0K 1/10W 5 D.R/TP
		R224	0RH1002C622	O	RESISTOR,CHIP	10K 1/16W 5 D.R/TP
		R225	0RH1502D622	O	RESISTOR,CHIP	15K 1/10W 5 D.R/TP
		R226	0RH2701D622	O	RESISTOR,CHIP	2.7K 1/10W 5 D.R/TP
		R227	0RH0000C622	O	RESISTOR,CHIP	0 1/16W 5 D.R/TP
		R227	0RH3302C622	O	RESISTOR,CHIP	33K 1/16W 5 D.R/TP
		R228	0RH1001D622	O	RESISTOR,CHIP	1.0K 1/10W 5 D.R/TP
		R228	0RH1002C622	O	RESISTOR,CHIP	10K 1/16W 5 D.R/TP
		R228	0RH1800C622	O	RESISTOR,CHIP	180 1/16W 5 D.R/TP
		R229	0RH1000C622	O	RESISTOR,CHIP	100 1/16W 5 D.R/TP
		R229	0RH1003C622	O	RESISTOR,CHIP	100K 1/16W 5 D.R/TP
		R229	0RH4701D622	O	RESISTOR,CHIP	4.7K 1/10W 5 D.R/TP
		R230	0RH1000C622	O	RESISTOR,CHIP	100 1/16W 5 D.R/TP
		R230	0RH2201D622	O	RESISTOR,CHIP	2.2K 1/10W 5 D.R/TP
		R231	0RH1000C622	O	RESISTOR,CHIP	100 1/16W 5 D.R/TP
		R231	0RH2201D622	O	RESISTOR,CHIP	2.2K 1/10W 5 D.R/TP
		R232	0RH0562C622	O	RESISTOR,CHIP	56 1/16W 5 D.R/TP
		R233	0RH0562C622	O	RESISTOR,CHIP	56 1/16W 5 D.R/TP
		R234	0RH1502C622	O	RESISTOR,CHIP	15K 1/16W 5 D.R/TP
		R234	0RH4700C622	O	RESISTOR,CHIP	470 1/16W 5 D.R/TP
		R235	0RH1000C622	O	RESISTOR,CHIP	100 1/16W 5 D.R/TP
		R235	0RH5601C622	O	RESISTOR,CHIP	5.6K 1/16W 5 D.R/TP
		R236	0RH1000C622	O	RESISTOR,CHIP	100 1/16W 5 D.R/TP
		R236	0RH1001C622	O	RESISTOR,METAL GLAZED(CHIP)	1KOHM 1 / 16 W 1608 5.00% D
		R236	0RH4700D622	O	RESISTOR CHIP	470 1/10W 5 D.R/TP
		R237	0RH2200C622	O	RESISTOR,CHIP	220 1/16W 5 D.R/TP
		R237	0RH4700D622	O	RESISTOR CHIP	470 1/10W 5 D.R/TP
		R237	0RH4701C622	O	RESISTOR,CHIP	4.7K 1/16W 5 D.R/TP
		R238	0RH1001D622	O	RESISTOR,CHIP	1.0K 1/10W 5 D.R/TP
		R238	0RH1002C622	O	RESISTOR,CHIP	10K 1/16W 5 D.R/TP
		R239	0RH1000C622	O	RESISTOR,CHIP	100 1/16W 5 D.R/TP
		R239	0RH1001D622	O	RESISTOR,CHIP	1.0K 1/10W 5 D.R/TP
		R239	0RH2200C622	O	RESISTOR,CHIP	220 1/16W 5 D.R/TP
		R240	0RH3302C622	O	RESISTOR,CHIP	33K 1/16W 5 D.R/TP
		R241	0RH1000C622	O	RESISTOR,CHIP	100 1/16W 5 D.R/TP
		R241	0RH2200C622	O	RESISTOR,CHIP	220 1/16W 5 D.R/TP
		R242	0RH1000C622	O	RESISTOR,CHIP	100 1/16W 5 D.R/TP
		R245	0RH2200C622	O	RESISTOR,CHIP	220 1/16W 5 D.R/TP
		R249	0RH4701D622	O	RESISTOR,CHIP	4.7K 1/10W 5 D.R/TP
		R250	0RH2200C622	O	RESISTOR,CHIP	220 1/16W 5 D.R/TP
		R251	0RH0000D622	O	RESISTOR,CHIP	0 1/10W 5 D.R/TP
		R251	0RH2200C622	O	RESISTOR,CHIP	220 1/16W 5 D.R/TP
		R252	0RH0682D622	O	RESISTOR CHIP	68 1/10W 5 D.R/TP
		R252	0RH2200C622	O	RESISTOR,CHIP	220 1/16W 5 D.R/TP
		R253	0RH2200C622	O	RESISTOR,CHIP	220 1/16W 5 D.R/TP
		R254	0RH2200C622	O	RESISTOR,CHIP	220 1/16W 5 D.R/TP

RUN : 2000.10.28

S	AL	LOCA. NO.	PART NO.(LG)	A	DESCRIPTION	SPECIFICATION
		R254	0RH2200D622	O	RESISTOR,CHIP	220 1/10W 5 D.R/TP
		R255	0RH2200C622	O	RESISTOR,CHIP	220 1/16W 5 D.R/TP
		R255	0RH3301D622	O	RESISTOR,CHIP	3.3K 1/10W 5 D.R/TP
		R256	0RH2200C622	O	RESISTOR,CHIP	220 1/16W 5 D.R/TP
		R256	0RH3301D622	O	RESISTOR,CHIP	3.3K 1/10W 5 D.R/TP
		R257	0RH1000D622	O	RESISTOR,CHIP	100 1/10W 5 D.R/TP
		R257	0RH2200C622	O	RESISTOR,CHIP	220 1/16W 5 D.R/TP
		R258	0RH3301D622	O	RESISTOR,CHIP	3.3K 1/10W 5 D.R/TP
		R259	0RH2200D622	O	RESISTOR,CHIP	220 1/10W 5 D.R/TP
		R259	0RH4702C622	O	RESISTOR,CHIP	47K 1/16W 5 D.R/TP
		R260	0RH1502C622	O	RESISTOR,CHIP	15K 1/16W 5 D.R/TP
		R260	0RH3301D622	O	RESISTOR,CHIP	3.3K 1/10W 5 D.R/TP
		R261	0RH3301D622	O	RESISTOR,CHIP	3.3K 1/10W 5 D.R/TP
		R262	0RH1000D622	O	RESISTOR,CHIP	100 1/10W 5 D.R/TP
		R263	0RH1000D622	O	RESISTOR,CHIP	100 1/10W 5 D.R/TP
		R264	0RH0222D622	O	RESISTOR,CHIP	22 1/10W 5 D.R/TP
		R266	0RH0682D622	O	RESISTOR,CHIP	68 1/10W 5 D.R/TP
		R267	0RH0000D622	O	RESISTOR,CHIP	0 1/10W 5 D.R/TP
		R268	0RH3901D622	O	RESISTOR,CHIP	3.9K 1/10W 5 D.R/TP
		R301	0RH5602C622	O	RESISTOR,CHIP	56K 1/16W 5 D.R/TP
		R302	0RH1503C622	O	RESISTOR,CHIP	150K 1/16W 5 D.R/TP
		R303	0RH1001C622	O	RESISTOR,METAL GLAZED(CHIP)	1KOHM 1 / 16 W 1608 5.00% D
		R304	0RH2701C622	O	RESISTOR,CHIP	2.7K 1/16W 5 D.R/TP
		R305	0CH4101K412	O	CHIP CAPA CERAMIC M/L T.C F/S	100P 50V J COG 1.6X0.8 R/TP
		R305	0RH1003C622	O	RESISTOR,CHIP	100K 1/16W 5 D.R/TP
		R306	0RH1003C622	O	RESISTOR,CHIP	100K 1/16W 5 D.R/TP
		R306	0RH2200C622	O	RESISTOR,CHIP	220 1/16W 5 D.R/TP
		R307	0RH2200C622	O	RESISTOR,CHIP	220 1/16W 5 D.R/TP
		R307	0RH5602C622	O	RESISTOR,CHIP	56K 1/16W 5 D.R/TP
		R308	0RH1503C622	O	RESISTOR,CHIP	150K 1/16W 5 D.R/TP
		R308	0RH2200C622	O	RESISTOR,CHIP	220 1/16W 5 D.R/TP
		R310	0RH2202C622	O	RESISTOR,CHIP	22K 1/16W 5 D.R/TP
		R310	0RH3300C622	O	RESISTOR,CHIP	330 1/16W 5 D.R/TP
		R311	0RH1000C622	O	RESISTOR,CHIP	100 1/16W 5 D.R/TP
		R312	0RH2202C622	O	RESISTOR,CHIP	22K 1/16W 5 D.R/TP
		R313	0RH2202C622	O	RESISTOR,CHIP	22K 1/16W 5 D.R/TP
		R314	0RH1000C622	O	RESISTOR,CHIP	100 1/16W 5 D.R/TP
		R315	0RH2702C622	O	RESISTOR,CHIP	27K 1/16W 5 D.R/TP
		R316	0RH2202C622	O	RESISTOR,CHIP	22K 1/16W 5 D.R/TP
		R317	0RH2202C622	O	RESISTOR,CHIP	22K 1/16W 5 D.R/TP
		R318	0RH2201C622	O	RESISTOR,CHIP	2.2K 1/16W 5 D.R/TP
		R319	0RH2201C622	O	RESISTOR,CHIP	2.2K 1/16W 5 D.R/TP
		R320	0RH1002C622	O	RESISTOR,CHIP	10K 1/16W 5 D.R/TP
		R322	0RH2200C622	O	RESISTOR,CHIP	220 1/16W 5 D.R/TP
		R323	0RH6800C622	O	RESISTOR,CHIP	680 1/16W 5 D.R/TP
		R327	0RH1002C622	O	RESISTOR,CHIP	10K 1/16W 5 D.R/TP
		R335	0RH3300C622	O	RESISTOR,CHIP	330 1/16W 5 D.R/TP
		R336	0RH1000C622	O	RESISTOR,CHIP	100 1/16W 5 D.R/TP
		R337	0RH1002C622	O	RESISTOR,CHIP	10K 1/16W 5 D.R/TP
		R355	0RH4702C622	O	RESISTOR,CHIP	47K 1/16W 5 D.R/TP
		R364	0RH2200C622	O	RESISTOR,CHIP	220 1/16W 5 D.R/TP
		R365	0RH2200C622	O	RESISTOR,CHIP	220 1/16W 5 D.R/TP
		R366	0RH3300C622	O	RESISTOR,CHIP	330 1/16W 5 D.R/TP
		R367	0RH1001C622	O	RESISTOR,METAL GLAZED(CHIP)	1KOHM 1 / 16 W 1608 5.00% D
		R368	0RH1000C622	O	RESISTOR,CHIP	100 1/16W 5 D.R/TP
		R369	0RH1000C622	O	RESISTOR,CHIP	100 1/16W 5 D.R/TP
		R370	0RH1000C622	O	RESISTOR,CHIP	100 1/16W 5 D.R/TP
		R371	0RH4701C622	O	RESISTOR,CHIP	4.7K 1/16W 5 D.R/TP
		R373	0RH2200C622	O	RESISTOR,CHIP	220 1/16W 5 D.R/TP
		R374	0RH2200C622	O	RESISTOR,CHIP	220 1/16W 5 D.R/TP
		R375	0RH3300C622	O	RESISTOR,CHIP	330 1/16W 5 D.R/TP
		R376	0RH2200C622	O	RESISTOR,CHIP	220 1/16W 5 D.R/TP
		R377	0RH2200C622	O	RESISTOR,CHIP	220 1/16W 5 D.R/TP
		R378	0RH2200C622	O	RESISTOR,CHIP	220 1/16W 5 D.R/TP
		R380	0RH2200C622	O	RESISTOR,CHIP	220 1/16W 5 D.R/TP
		R382	0RH6800C622	O	RESISTOR,CHIP	680 1/16W 5 D.R/TP

RUN : 2000.10.28

S	AL	LOCA. NO.	PART NO.(LG)	A	DESCRIPTION	SPECIFICATION
		R385	0RH0000C622	O	RESISTOR,CHIP	0 1/16W 5 D.R/TP
		R386	0RH1004C622	O	RESISTOR,CHIP	1M 1/16W 5 D.R/TP
		R387	0RH2200D622	O	RESISTOR,CHIP	220 1/10W 5 D.R/TP
		R388	0LCZB00005A	O	INDUCTOR	HB-1M1608-601JT CERATECH 600 O
		R401	0RH0000C622	O	RESISTOR,CHIP	0 1/16W 5 D.R/TP
		R401	0RH1001D622	O	RESISTOR,CHIP	1.0K 1/10W 5 D.R/TP
		R402	0RH1002D622	O	RESISTOR,CHIP	10K 1/10W 5 D.R/TP
		R402	0RH4702C622	O	RESISTOR,CHIP	47K 1/16W 5 D.R/TP
		R403	0RH0000C622	O	RESISTOR,CHIP	0 1/16W 5 D.R/TP
		R403	0RH1000C622	O	RESISTOR,CHIP	100 1/16W 5 D.R/TP
		R403	0RH1002D622	O	RESISTOR,CHIP	10K 1/10W 5 D.R/TP
		R404	0RH1001C622	O	RESISTOR,METAL GLAZED(CHIP)	1KOHM 1 / 16 W 1608 5.00% D
		R404	0RH1002D622	O	RESISTOR,CHIP	10K 1/10W 5 D.R/TP
		R405	0RH1000C622	O	RESISTOR,CHIP	100 1/16W 5 D.R/TP
		R405	0RH1001C622	O	RESISTOR,METAL GLAZED(CHIP)	1KOHM 1 / 16 W 1608 5.00% D
		R405	0RH1201D622	O	RESISTOR,CHIP	1.2K 1/10W 5 D.R/TP
		R406	0RH1201D622	O	RESISTOR,CHIP	1.2K 1/10W 5 D.R/TP
		R406	0RH1500C622	O	RESISTOR,CHIP	150 1/16W 5 D.R/TP
		R406	0RH2702C622	O	RESISTOR,CHIP	27K 1/16W 5 D.R/TP
		R407	0RH1500C622	O	RESISTOR,CHIP	150 1/16W 5 D.R/TP
		R407	0RH1501D622	O	RESISTOR CHIP	1.5K 1/10W 5 D.R/TP
		R407	0RH2702C622	O	RESISTOR,CHIP	27K 1/16W 5 D.R/TP
		R408	0RH0101G622	O	RESISTOR,CHIP	1 OHM 1 / 4 W 3216 5% D R/TP
		R408	0RH1001D622	O	RESISTOR,CHIP	1.0K 1/10W 5 D.R/TP
		R409	0RH0101G622	O	RESISTOR,CHIP	1 OHM 1 / 4 W 3216 5% D R/TP
		R409	0RH1000C622	O	RESISTOR,CHIP	100 1/16W 5 D.R/TP
		R410	0RH0101G622	O	RESISTOR,CHIP	1 OHM 1 / 4 W 3216 5% D R/TP
		R410	0RH6802C622	O	RESISTOR,CHIP	68K 1/16W 5 D.R/TP
		R411	0RH3301C622	O	RESISTOR,CHIP	3.3K 1/16W 5 D.R/TP
		R411	0RH6802C622	O	RESISTOR,CHIP	68K 1/16W 5 D.R/TP
		R412	0RH3301C622	O	RESISTOR,CHIP	3.3K 1/16W 5 D.R/TP
		R413	0RH1001D622	O	RESISTOR,CHIP	1.0K 1/10W 5 D.R/TP
		R413	0RH1004C622	O	RESISTOR,CHIP	1M 1/16W 5 D.R/TP
		R413	0RH3301C622	O	RESISTOR,CHIP	3.3K 1/16W 5 D.R/TP
		R414	0RH1002C622	O	RESISTOR,CHIP	10K 1/16W 5 D.R/TP
		R414	0RH1501D622	O	RESISTOR CHIP	1.5K 1/10W 5 D.R/TP
		R414	0RH3301C622	O	RESISTOR,CHIP	3.3K 1/16W 5 D.R/TP
		R415	0RH1002C622	O	RESISTOR,CHIP	10K 1/16W 5 D.R/TP
		R415	0RH1201D622	O	RESISTOR,CHIP	1.2K 1/10W 5 D.R/TP
		R415	0RH4702C622	O	RESISTOR,CHIP	47K 1/16W 5 D.R/TP
		R416	0RH1002C622	O	RESISTOR,CHIP	10K 1/16W 5 D.R/TP
		R416	0RH1201D622	O	RESISTOR,CHIP	1.2K 1/10W 5 D.R/TP
		R416	0RH4702C622	O	RESISTOR,CHIP	47K 1/16W 5 D.R/TP
		R417	0RH1001D622	O	RESISTOR,CHIP	1.0K 1/10W 5 D.R/TP
		R417	0RH1002C622	O	RESISTOR,CHIP	10K 1/16W 5 D.R/TP
		R417	0RH4700C622	O	RESISTOR,CHIP	470 1/16W 5 D.R/TP
		R418	0RH1502C622	O	RESISTOR,CHIP	15K 1/16W 5 D.R/TP
		R418	0RH2202C622	O	RESISTOR,CHIP	22K 1/16W 5 D.R/TP
		R419	0RH1501D622	O	RESISTOR CHIP	1.5K 1/10W 5 D.R/TP
		R419	0RH3902C622	O	RESISTOR,CHIP	39K 1/16W J D.R/TP
		R419	0RH5601C622	O	RESISTOR,CHIP	5.6K 1/16W 5 D.R/TP
		R420	0RH1001C622	O	RESISTOR,METAL GLAZED(CHIP)	1KOHM 1 / 16 W 1608 5.00% D
		R420	0RH1501D622	O	RESISTOR CHIP	1.5K 1/10W 5 D.R/TP
		R421	0RH1001D622	O	RESISTOR,CHIP	1.0K 1/10W 5 D.R/TP
		R421	0RH1002C622	O	RESISTOR,CHIP	10K 1/16W 5 D.R/TP
		R422	0RH1001D622	O	RESISTOR,CHIP	1.0K 1/10W 5 D.R/TP
		R422	0RH2702C622	O	RESISTOR,CHIP	27K 1/16W 5 D.R/TP
		R422	0RH3301C622	O	RESISTOR,CHIP	3.3K 1/16W 5 D.R/TP
		R423	0RH1002C622	O	RESISTOR,CHIP	10K 1/16W 5 D.R/TP
		R423	0RH3302C622	O	RESISTOR,CHIP	33K 1/16W 5 D.R/TP
		R423	0RH4700D622	O	RESISTOR CHIP	470 1/10W 5 D.R/TP
		R424	0RH1001D622	O	RESISTOR,CHIP	1.0K 1/10W 5 D.R/TP
		R424	0RH1502C622	O	RESISTOR,CHIP	15K 1/16W 5 D.R/TP
		R425	0RH1001D622	O	RESISTOR,CHIP	1.0K 1/10W 5 D.R/TP
		R425	0RH1002C622	O	RESISTOR,CHIP	10K 1/16W 5 D.R/TP
		R425	0RH3301C622	O	RESISTOR,CHIP	3.3K 1/16W 5 D.R/TP

RUN : 2000.10.28

S	AL	LOCA. NO.	PART NO.(LG)	A	DESCRIPTION	SPECIFICATION
		R426	0RH1002C622	O	RESISTOR,CHIP	10K 1/16W 5 D.R/TP
		R426	0RH3302C622	O	RESISTOR,CHIP	33K 1/16W 5 D.R/TP
		R427	0RH2201C622	O	RESISTOR,CHIP	2.2K 1/16W 5 D.R/TP
		R427	0RH2202D622	O	RESISTOR,CHIP	22K 1/10W 5 D.R/TP
		R427	0RH4702C622	O	RESISTOR,CHIP	47K 1/16W 5 D.R/TP
		R428	0RH0000C622	O	RESISTOR,CHIP	0 1/16W 5 D.R/TP
		R428	0RH1001C622	O	RESISTOR,METAL GLAZED(CHIP)	1KOHM 1 / 16 W 1608 5.00% D
		R428	0RH2202D622	O	RESISTOR,CHIP	22K 1/10W 5 D.R/TP
		R429	0RH1002C622	O	RESISTOR,CHIP	10K 1/16W 5 D.R/TP
		R429	0RH2201C622	O	RESISTOR,CHIP	2.2K 1/16W 5 D.R/TP
		R429	0RH4700D622	O	RESISTOR CHIP	470 1/10W 5 D.R/TP
		R430	0RH0000C622	O	RESISTOR,CHIP	0 1/16W 5 D.R/TP
		R430	0RH1002C622	O	RESISTOR,CHIP	10K 1/16W 5 D.R/TP
		R430	0RH4700D622	O	RESISTOR CHIP	470 1/10W 5 D.R/TP
		R431	0RH1002C622	O	RESISTOR,CHIP	10K 1/16W 5 D.R/TP
		R431	0RH1802D622	O	RESISTOR CHIP	18K 1/10W 5 D.R/TP
		R431	0RH4702C622	O	RESISTOR,CHIP	47K 1/16W 5 D.R/TP
		R432	0RH3301D622	O	RESISTOR,CHIP	3.3K 1/10W 5 D.R/TP
		R432	0RH4702C622	O	RESISTOR,CHIP	47K 1/16W 5 D.R/TP
		R433	0RH1802D622	O	RESISTOR CHIP	18K 1/10W 5 D.R/TP
		R433	0RH2201C622	O	RESISTOR,CHIP	2.2K 1/16W 5 D.R/TP
		R433	0RH4702C622	O	RESISTOR,CHIP	47K 1/16W 5 D.R/TP
		R434	0RH0000C622	O	RESISTOR,CHIP	0 1/16W 5 D.R/TP
		R434	0RH1003C622	O	RESISTOR,CHIP	100K 1/16W 5 D.R/TP
		R434	0RH3301D622	O	RESISTOR,CHIP	3.3K 1/10W 5 D.R/TP
		R435	0RH1001C622	O	RESISTOR,METAL GLAZED(CHIP)	1KOHM 1 / 16 W 1608 5.00% D
		R435	0RH6802C622	O	RESISTOR,CHIP	68K 1/16W 5 D.R/TP
		R436	0RH1001C622	O	RESISTOR,METAL GLAZED(CHIP)	1KOHM 1 / 16 W 1608 5.00% D
		R436	0RH2201C622	O	RESISTOR,CHIP	2.2K 1/16W 5 D.R/TP
		R437	0RH3301C622	O	RESISTOR,CHIP	3.3K 1/16W 5 D.R/TP
		R437	0RH3302C622	O	RESISTOR,CHIP	33K 1/16W 5 D.R/TP
		R438	0RH2202C622	O	RESISTOR,CHIP	22K 1/16W 5 D.R/TP
		R441	0RH3303C622	O	RESISTOR,CHIP	330K 1/16W 5 D.R/TP
		R442	0RH4700C622	O	RESISTOR,CHIP	470 1/16W 5 D.R/TP
		R445	0RH3301C622	O	RESISTOR,CHIP	3.3K 1/16W 5 D.R/TP
		R446	0RH0000C622	O	RESISTOR,CHIP	0 1/16W 5 D.R/TP
		R448	0RH1001C622	O	RESISTOR,METAL GLAZED(CHIP)	1KOHM 1 / 16 W 1608 5.00% D
		R449	0RH0000C622	O	RESISTOR,CHIP	0 1/16W 5 D.R/TP
		R451	0RH1002D622	O	RESISTOR,CHIP	10K 1/10W 5 D.R/TP
		R451	0RH3300C622	O	RESISTOR,CHIP	330 1/16W 5 D.R/TP
		R452	0RH1201C622	O	RESISTOR,CHIP	1.2K 1/16W 5 D.R/TP
		R453	0RH3301C622	O	RESISTOR,CHIP	3.3K 1/16W 5 D.R/TP
		R454	0RH1002C622	O	RESISTOR,CHIP	10K 1/16W 5 D.R/TP
		R455	0RH4700C622	O	RESISTOR,CHIP	470 1/16W 5 D.R/TP
		R456	0RH2201C622	O	RESISTOR,CHIP	2.2K 1/16W 5 D.R/TP
		R457	0RH6800C622	O	RESISTOR,CHIP	680 1/16W 5 D.R/TP
		R458	0RH1002C622	O	RESISTOR,CHIP	10K 1/16W 5 D.R/TP
		R460	0RH4702C622	O	RESISTOR,CHIP	47K 1/16W 5 D.R/TP
		R465	0RH6800C622	O	RESISTOR,CHIP	680 1/16W 5 D.R/TP
		R466	0RH1801C622	O	RESISTOR,CHIP	1.8K 1/16W 5 D.R/TP
		R467	0RH1001C622	O	RESISTOR,METAL GLAZED(CHIP)	1KOHM 1 / 16 W 1608 5.00% D
		R469	0RH1801C622	O	RESISTOR,CHIP	1.8K 1/16W 5 D.R/TP
		R471	0RH1002C622	O	RESISTOR,CHIP	10K 1/16W 5 D.R/TP
		R472	0RH2202C622	O	RESISTOR,CHIP	22K 1/16W 5 D.R/TP
		R473	0RH1001C622	O	RESISTOR,METAL GLAZED(CHIP)	1KOHM 1 / 16 W 1608 5.00% D
		R474	0RH1002C622	O	RESISTOR,CHIP	10K 1/16W 5 D.R/TP
		R475	0RH5600D622	O	RESISTOR,CHIP	560 1/10W 5 D.R/TP
		R475	0RH8202C622	O	RESISTOR,CHIP	82K 1/16W 5 D.R/TP
		R476	0RH0332D622	O	RESISTOR,CHIP	33 1/10W 5 D.R/TP
		R476	0RH4701C622	O	RESISTOR,CHIP	4.7K 1/16W 5 D.R/TP
		R477	0RH0000C622	O	RESISTOR,CHIP	0 1/16W 5 D.R/TP
		R477	0RH0332D622	O	RESISTOR,CHIP	33 1/10W 5 D.R/TP
		R478	0RH5600D622	O	RESISTOR,CHIP	560 1/10W 5 D.R/TP
		R481	0RH6800C622	O	RESISTOR,CHIP	680 1/16W 5 D.R/TP
		R483	0RH1001C622	O	RESISTOR,METAL GLAZED(CHIP)	1KOHM 1 / 16 W 1608 5.00% D
		R487	0RH2202C622	O	RESISTOR,CHIP	22K 1/16W 5 D.R/TP

RUN : 2000.10.28

S	AL	LOCA. NO.	PART NO.(LG)	A	DESCRIPTION	SPECIFICATION
		R488	0RH1002C622	O	RESISTOR,CHIP	10K 1/16W 5 D.R/TP
		R489	0RH1004C622	O	RESISTOR,CHIP	1M 1/16W 5 D.R/TP
		R490	0RH4701C622	O	RESISTOR,CHIP	4.7K 1/16W 5 D.R/TP
		R492	0RH0000C622	O	RESISTOR,CHIP	0 1/16W 5 D.R/TP
		R493	0RH6800C622	O	RESISTOR,CHIP	680 1/16W 5 D.R/TP
		R494	0RH6800C622	O	RESISTOR,CHIP	680 1/16W 5 D.R/TP
		R495	0RH1001C622	O	RESISTOR,METAL GLAZED(CHIP)	1KOHM 1 / 16 W 1608 5.00% D
		R496	0RH6800C622	O	RESISTOR,CHIP	680 1/16W 5 D.R/TP
		R497	0RH6800C622	O	RESISTOR,CHIP	680 1/16W 5 D.R/TP
		R501	0RH3300C622	O	RESISTOR,CHIP	330 1/16W 5 D.R/TP
		R502	0RH1000C622	O	RESISTOR,CHIP	100 1/16W 5 D.R/TP
		R503	0RH0000C622	O	RESISTOR,CHIP	0 1/16W 5 D.R/TP
		R503	0RH1000C622	O	RESISTOR,CHIP	100 1/16W 5 D.R/TP
		R504	0RH3300C622	O	RESISTOR,CHIP	330 1/16W 5 D.R/TP
		R505	0RH3300C622	O	RESISTOR,CHIP	330 1/16W 5 D.R/TP
		R506	0RH3300C622	O	RESISTOR,CHIP	330 1/16W 5 D.R/TP
		R507	0RH1000C622	O	RESISTOR,CHIP	100 1/16W 5 D.R/TP
		R508	0RH1000C622	O	RESISTOR,CHIP	100 1/16W 5 D.R/TP
		R508	0RH1002C622	O	RESISTOR,CHIP	10K 1/16W 5 D.R/TP
		R509	0RH1000C622	O	RESISTOR,CHIP	100 1/16W 5 D.R/TP
		R510	0RH1000C622	O	RESISTOR,CHIP	100 1/16W 5 D.R/TP
		R512	0RH3300C622	O	RESISTOR,CHIP	330 1/16W 5 D.R/TP
		R513	0RH3300C622	O	RESISTOR,CHIP	330 1/16W 5 D.R/TP
		R514	0RH1001C622	O	RESISTOR,METAL GLAZED(CHIP)	1KOHM 1 / 16 W 1608 5.00% D
		R515	0RH1001C622	O	RESISTOR,METAL GLAZED(CHIP)	1KOHM 1 / 16 W 1608 5.00% D
		R516	0RH1001C622	O	RESISTOR,METAL GLAZED(CHIP)	1KOHM 1 / 16 W 1608 5.00% D
		R516	0RH1002C622	O	RESISTOR,CHIP	10K 1/16W 5 D.R/TP
		R517	0RH1001C622	O	RESISTOR,METAL GLAZED(CHIP)	1KOHM 1 / 16 W 1608 5.00% D
		R517	0RH2201C622	O	RESISTOR,CHIP	2.2K 1/16W 5 D.R/TP
		R518	0RH3300C622	O	RESISTOR,CHIP	330 1/16W 5 D.R/TP
		R518	0RH8202C622	O	RESISTOR,CHIP	82K 1/16W 5 D.R/TP
		R519	0RH3300C622	O	RESISTOR,CHIP	330 1/16W 5 D.R/TP
		R519	0RH6801C622	O	RESISTOR,CHIP	6.8K 1/16W 5 D.R/TP
		R520	0RH1001C622	O	RESISTOR,METAL GLAZED(CHIP)	1KOHM 1 / 16 W 1608 5.00% D
		R520	0RH1003C622	O	RESISTOR,CHIP	100K 1/16W 5 D.R/TP
		R521	0RH1001C622	O	RESISTOR,METAL GLAZED(CHIP)	1KOHM 1 / 16 W 1608 5.00% D
		R521	0RH3902C622	O	RESISTOR,CHIP	39K 1/16W J D.R/TP
		R522	0RH3301C622	O	RESISTOR,CHIP	3.3K 1/16W 5 D.R/TP
		R522	0RH3303C622	O	RESISTOR,CHIP	330K 1/16W 5 D.R/TP
		R523	0RH1002C622	O	RESISTOR,CHIP	10K 1/16W 5 D.R/TP
		R523	0RH1003C622	O	RESISTOR,CHIP	100K 1/16W 5 D.R/TP
		R524	0RH3902C622	O	RESISTOR,CHIP	39K 1/16W J D.R/TP
		R524	0RH4700C622	O	RESISTOR,CHIP	470 1/16W 5 D.R/TP
		R525	0RH2702C622	O	RESISTOR,CHIP	27K 1/16W 5 D.R/TP
		R525	0RH4703C622	O	RESISTOR,CHIP	470K 1/16W 5 D.R/TP
		R526	0RH8202C622	O	RESISTOR,CHIP	82K 1/16W 5 D.R/TP
		R527	0RH1002C622	O	RESISTOR,CHIP	10K 1/16W 5 D.R/TP
		R528	0RH1002C622	O	RESISTOR,CHIP	10K 1/16W 5 D.R/TP
		R531	0RH0000C622	O	RESISTOR,CHIP	0 1/16W 5 D.R/TP
		R533	0RH3301C622	O	RESISTOR,CHIP	3.3K 1/16W 5 D.R/TP
		R534	0RH1002C622	O	RESISTOR,CHIP	10K 1/16W 5 D.R/TP
		R535	0RH3300C622	O	RESISTOR,CHIP	330 1/16W 5 D.R/TP
		R536	0RH1000C622	O	RESISTOR,CHIP	100 1/16W 5 D.R/TP
		R537	0RH1000C622	O	RESISTOR,CHIP	100 1/16W 5 D.R/TP
		R538	0RH2202C622	O	RESISTOR,CHIP	22K 1/16W 5 D.R/TP
		R539	0RH1002C622	O	RESISTOR,CHIP	10K 1/16W 5 D.R/TP
		R540	0RH1002C622	O	RESISTOR,CHIP	10K 1/16W 5 D.R/TP
		R541	0RH4700C622	O	RESISTOR,CHIP	470 1/16W 5 D.R/TP
		R542	0RH4700C622	O	RESISTOR,CHIP	470 1/16W 5 D.R/TP
		R543	0RH3300C622	O	RESISTOR,CHIP	330 1/16W 5 D.R/TP
		R544	0RH1000C622	O	RESISTOR,CHIP	100 1/16W 5 D.R/TP
		R545	0RH3300C622	O	RESISTOR,CHIP	330 1/16W 5 D.R/TP
		R546	0RH3300C622	O	RESISTOR,CHIP	330 1/16W 5 D.R/TP
		R547	0RH1000C622	O	RESISTOR,CHIP	100 1/16W 5 D.R/TP
		R548	0RH3300C622	O	RESISTOR,CHIP	330 1/16W 5 D.R/TP
		R549	0RH3300C622	O	RESISTOR,CHIP	330 1/16W 5 D.R/TP



RUN : 2000.10.28

S	AL	LOCA. NO.	PART NO.(LG)	A	DESCRIPTION	SPECIFICATION
		R550	0RH3300C622	O	RESISTOR,CHIP	330 1/16W 5 D.R/TP
		R552	0RH3300C622	O	RESISTOR,CHIP	330 1/16W 5 D.R/TP
		R553	0RH1000C622	O	RESISTOR,CHIP	100 1/16W 5 D.R/TP
		R554	0RH0000C622	O	RESISTOR,CHIP	0 1/16W 5 D.R/TP
		R554	0RH1000C622	O	RESISTOR,CHIP	100 1/16W 5 D.R/TP
		R555	0RH0000C622	O	RESISTOR,CHIP	0 1/16W 5 D.R/TP
		R556	0RH4701C622	O	RESISTOR,CHIP	4.7K 1/16W 5 D.R/TP
		R556	0RH6802C622	O	RESISTOR,CHIP	68K 1/16W 5 D.R/TP
		R557	0RH1000C622	O	RESISTOR,CHIP	100 1/16W 5 D.R/TP
		R557	0RH2703C622	O	RESISTOR,CHIP	270K 1/16W 5 D.R/TP
		R558	0RH1000C622	O	RESISTOR,CHIP	100 1/16W 5 D.R/TP
		R558	0RH1003C622	O	RESISTOR,CHIP	100K 1/16W 5 D.R/TP
		R560	0RH0000C622	O	RESISTOR,CHIP	0 1/16W 5 D.R/TP
		R561	0RH3300C622	O	RESISTOR,CHIP	330 1/16W 5 D.R/TP
		R563	0RH0181D622	O	RESISTOR,CHIP	1.8 1/10W 5 TA
		R563	0RH1003C622	O	RESISTOR,CHIP	100K 1/16W 5 D.R/TP
		R564	0RH0181D622	O	RESISTOR,CHIP	1.8 1/10W 5 TA
		R564	0RH1003C622	O	RESISTOR,CHIP	100K 1/16W 5 D.R/TP
		R565	0RH0181D622	O	RESISTOR,CHIP	1.8 1/10W 5 TA
		R565	0RH1500C622	O	RESISTOR,CHIP	150 1/16W 5 D.R/TP
		R566	0RH4703C622	O	RESISTOR,CHIP	470K 1/16W 5 D.R/TP
		R567	0RH1000C622	O	RESISTOR,CHIP	100 1/16W 5 D.R/TP
		R567	0RH1803C622	O	RESISTOR,CHIP	180K 1/16W 5 D.R/TP
		R568	0RH1000C622	O	RESISTOR,CHIP	100 1/16W 5 D.R/TP
		R568	0RH1003C622	O	RESISTOR,CHIP	100K 1/16W 5 D.R/TP
		R569	0RH4702C622	O	RESISTOR,CHIP	47K 1/16W 5 D.R/TP
		R570	0RH0000C622	O	RESISTOR,CHIP	0 1/16W 5 D.R/TP
		R572	0RH2202C622	O	RESISTOR,CHIP	22K 1/16W 5 D.R/TP
		R573	0RH2702C622	O	RESISTOR,CHIP	27K 1/16W 5 D.R/TP
		R574	0RH0102C622	O	RESISTOR,CHIP	10 1/16W 5 D.R/TP
		R575	0RH2202C622	O	RESISTOR,CHIP	22K 1/16W 5 D.R/TP
		R576	0RH0102C622	O	RESISTOR,CHIP	10 1/16W 5 D.R/TP
		R577	0RH2202C622	O	RESISTOR,CHIP	22K 1/16W 5 D.R/TP
		R578	0RH2702C622	O	RESISTOR,CHIP	27K 1/16W 5 D.R/TP
		R579	0RH2202C622	O	RESISTOR,CHIP	22K 1/16W 5 D.R/TP
		R580	0RH0102C622	O	RESISTOR,CHIP	10 1/16W 5 D.R/TP
		R581	0RH0102C622	O	RESISTOR,CHIP	10 1/16W 5 D.R/TP
		R582	0RH1002C622	O	RESISTOR,CHIP	10K 1/16W 5 D.R/TP
		R583	0RH1002C622	O	RESISTOR,CHIP	10K 1/16W 5 D.R/TP
		R584	0RH6801C622	O	RESISTOR,CHIP	6.8K 1/16W 5 D.R/TP
		R585	0RH1002C622	O	RESISTOR,CHIP	10K 1/16W 5 D.R/TP
		R586	0RH4701C622	O	RESISTOR,CHIP	4.7K 1/16W 5 D.R/TP
		R587	0RH1002C622	O	RESISTOR,CHIP	10K 1/16W 5 D.R/TP
		R590	0RH1002C622	O	RESISTOR,CHIP	10K 1/16W 5 D.R/TP
		R592	0RH4703C622	O	RESISTOR,CHIP	470K 1/16W 5 D.R/TP
		R601	0RH2200C622	O	RESISTOR,CHIP	220 1/16W 5 D.R/TP
		R601	0RH4701C622	O	RESISTOR,CHIP	4.7K 1/16W 5 D.R/TP
		R602	0RH1000C622	O	RESISTOR,CHIP	100 1/16W 5 D.R/TP
		R602	0RH2200C622	O	RESISTOR,CHIP	220 1/16W 5 D.R/TP
		R603	0RH1000C622	O	RESISTOR,CHIP	100 1/16W 5 D.R/TP
		R603	0RH2200C622	O	RESISTOR,CHIP	220 1/16W 5 D.R/TP
		R604	0RH1000C622	O	RESISTOR,CHIP	100 1/16W 5 D.R/TP
		R604	0RH2200C622	O	RESISTOR,CHIP	220 1/16W 5 D.R/TP
		R605	0RH1000C622	O	RESISTOR,CHIP	100 1/16W 5 D.R/TP
		R605	0RH2200C622	O	RESISTOR,CHIP	220 1/16W 5 D.R/TP
		R606	0RH1000C622	O	RESISTOR,CHIP	100 1/16W 5 D.R/TP
		R606	0RH3300C622	O	RESISTOR,CHIP	330 1/16W 5 D.R/TP
		R607	0RH1000C622	O	RESISTOR,CHIP	100 1/16W 5 D.R/TP
		R607	0RH3300C622	O	RESISTOR,CHIP	330 1/16W 5 D.R/TP
		R608	0RH1002C622	O	RESISTOR,CHIP	10K 1/16W 5 D.R/TP
		R608	0RH2200C622	O	RESISTOR,CHIP	220 1/16W 5 D.R/TP
		R609	0RH1800C622	O	RESISTOR,CHIP	180 1/16W 5 D.R/TP
		R610	0RH3300C622	O	RESISTOR,CHIP	330 1/16W 5 D.R/TP
		R611	0RH0000C622	O	RESISTOR,CHIP	0 1/16W 5 D.R/TP
		R612	0RH2200C622	O	RESISTOR,CHIP	220 1/16W 5 D.R/TP
		R613	0RH2200C622	O	RESISTOR,CHIP	220 1/16W 5 D.R/TP

RUN : 2000.10.28

S	AL	LOCA. NO.	PART NO.(LG)	A	DESCRIPTION	SPECIFICATION
		R619	0RH2200C622	O	RESISTOR,CHIP	220 1/16W 5 D.R/TP
		R620	0RH2200C622	O	RESISTOR,CHIP	220 1/16W 5 D.R/TP
		R627	0RH0000C622	O	RESISTOR,CHIP	0 1/16W 5 D.R/TP
		R701	0RH1500C622	O	RESISTOR,CHIP	150 1/16W 5 D.R/TP
		R702	0RH4703C622	O	RESISTOR,CHIP	470K 1/16W 5 D.R/TP
		R703	0RH0472C622	O	RESISTOR,CHIP	47 1/16W 5 D.R/TP
		R704	0RH0472C622	O	RESISTOR,CHIP	47 1/16W 5 D.R/TP
		R705	0RH0472C622	O	RESISTOR,CHIP	47 1/16W 5 D.R/TP
		R706	0RH0472C622	O	RESISTOR,CHIP	47 1/16W 5 D.R/TP
		R707	0RH0472C622	O	RESISTOR,CHIP	47 1/16W 5 D.R/TP
		R708	0RH0472C622	O	RESISTOR,CHIP	47 1/16W 5 D.R/TP
		R709	0RH0472C622	O	RESISTOR,CHIP	47 1/16W 5 D.R/TP
		R710	0RH0472C622	O	RESISTOR,CHIP	47 1/16W 5 D.R/TP
		R711	0RH0472C622	O	RESISTOR,CHIP	47 1/16W 5 D.R/TP
		R712	0RH1002C622	O	RESISTOR,CHIP	10K 1/16W 5 D.R/TP
		R713	0RH1000C622	O	RESISTOR,CHIP	100 1/16W 5 D.R/TP
		R714	0RH1000C622	O	RESISTOR,CHIP	100 1/16W 5 D.R/TP
		R715	0RH1002C622	O	RESISTOR,CHIP	10K 1/16W 5 D.R/TP
		R716	0RH1001C622	O	RESISTOR,METAL GLAZED(CHIP)	1KOHM 1 / 16 W 1608 5.00% D
		R717	0RH1001C622	O	RESISTOR,METAL GLAZED(CHIP)	1KOHM 1 / 16 W 1608 5.00% D
		R718	0RH4701C622	O	RESISTOR,CHIP	4.7K 1/16W 5 D.R/TP
		R719	0RH1000C622	O	RESISTOR,CHIP	100 1/16W 5 D.R/TP
		R720	0RH1000C622	O	RESISTOR,CHIP	100 1/16W 5 D.R/TP
		R721	0RH0472C622	O	RESISTOR,CHIP	47 1/16W 5 D.R/TP
		R726	0RH2201C622	O	RESISTOR,CHIP	2.2K 1/16W 5 D.R/TP
		R727	0RH2201C622	O	RESISTOR,CHIP	2.2K 1/16W 5 D.R/TP
		R728	0RH1002C622	O	RESISTOR,CHIP	10K 1/16W 5 D.R/TP
		R729	0RH1002C622	O	RESISTOR,CHIP	10K 1/16W 5 D.R/TP
		R738	0RH1000C622	O	RESISTOR,CHIP	100 1/16W 5 D.R/TP
		R740	0RH4700C622	O	RESISTOR,CHIP	470 1/16W 5 D.R/TP
		R741	0RH1002C622	O	RESISTOR,CHIP	10K 1/16W 5 D.R/TP
		R742	0RH4700C622	O	RESISTOR,CHIP	470 1/16W 5 D.R/TP
		R743	0RH1002C622	O	RESISTOR,CHIP	10K 1/16W 5 D.R/TP
		R744	0RH1000C622	O	RESISTOR,CHIP	100 1/16W 5 D.R/TP
		R745	0RH1000C622	O	RESISTOR,CHIP	100 1/16W 5 D.R/TP
		R746	0RH1000C622	O	RESISTOR,CHIP	100 1/16W 5 D.R/TP
		R747	0RH1000C622	O	RESISTOR,CHIP	100 1/16W 5 D.R/TP
		R748	0RH1000C622	O	RESISTOR,CHIP	100 1/16W 5 D.R/TP
		R801	ORD2201F608	O	RESISTOR,FIXED CARBON FILM	2.2K 1/6W 5 TA26
		R802	ORD2201F608	O	RESISTOR,FIXED CARBON FILM	2.2K 1/6W 5 TA26
		R803	ORD3301F608	O	RESISTOR,FIXED CARBON FILM	3.3K 1/6W 5 TA26
		R804	ORD4701F608	O	RESISTOR,FIXED CARBON FILM	4.7K 1/6W 5 TA26
		R805	ORD5601F608	O	RESISTOR,FIXED CARBON FILM	5.6K 1/6W 5 TA26
		R806	ORD8201F608	O	RESISTOR,FIXED CARBON FILM	8.2K 1/6W 5 TA26
		R807	ORD1502F608	O	RESISTOR,FIXED CARBON FILM	15K 1/6W 5 TA26
		R808	ORD2201F608	O	RESISTOR,FIXED CARBON FILM	2.2K 1/6W 5 TA26
		R809	ORD2201F608	O	RESISTOR,FIXED CARBON FILM	2.2K 1/6W 5 TA26
		R810	ORD3301F608	O	RESISTOR,FIXED CARBON FILM	3.3K 1/6W 5 TA26
		R811	ORD4701F608	O	RESISTOR,FIXED CARBON FILM	4.7K 1/6W 5 TA26
		R812	ORD5601F608	O	RESISTOR,FIXED CARBON FILM	5.6K 1/6W 5 TA26
		R813	ORD2201F608	O	RESISTOR,FIXED CARBON FILM	2.2K 1/6W 5 TA26
		R814	ORD2201F608	O	RESISTOR,FIXED CARBON FILM	2.2K 1/6W 5 TA26
		R815	ORD3301F608	O	RESISTOR,FIXED CARBON FILM	3.3K 1/6W 5 TA26
		R816	ORD4701F608	O	RESISTOR,FIXED CARBON FILM	4.7K 1/6W 5 TA26
		R817	ORD5601F608	O	RESISTOR,FIXED CARBON FILM	5.6K 1/6W 5 TA26
		R818	ORD8201F608	O	RESISTOR,FIXED CARBON FILM	8.2K 1/6W 5 TA26
		R819	ORD1502F608	O	RESISTOR,FIXED CARBON FILM	15K 1/6W 5 TA26
		R820	ORD1802F608	O	RESISTOR,FIXED CARBON FILM	18K 1/6W 5 TA26
		R821	ORD1802F608	O	RESISTOR,FIXED CARBON FILM	18K 1/6W 5 TA26
		R822	ORD1802F608	O	RESISTOR,FIXED CARBON FILM	18K 1/6W 5 TA26
		R823	ORD1500F608	O	RESISTOR,FIXED CARBON FILM	150 1/6W 5 TA26
		R824	ORD1500F608	O	RESISTOR,FIXED CARBON FILM	150 1/6W 5 TA26
		R825	ORD0182F608	O	RESISTOR,FIXED CARBON FILM	18 1/6W 5 TA26
		R826	ORD0182F608	O	RESISTOR,FIXED CARBON FILM	18 1/6W 5 TA26
		R827	ORD0182F608	O	RESISTOR,FIXED CARBON FILM	18 1/6W 5 TA26
		R828	ORD0182F608	O	RESISTOR,FIXED CARBON FILM	18 1/6W 5 TA26

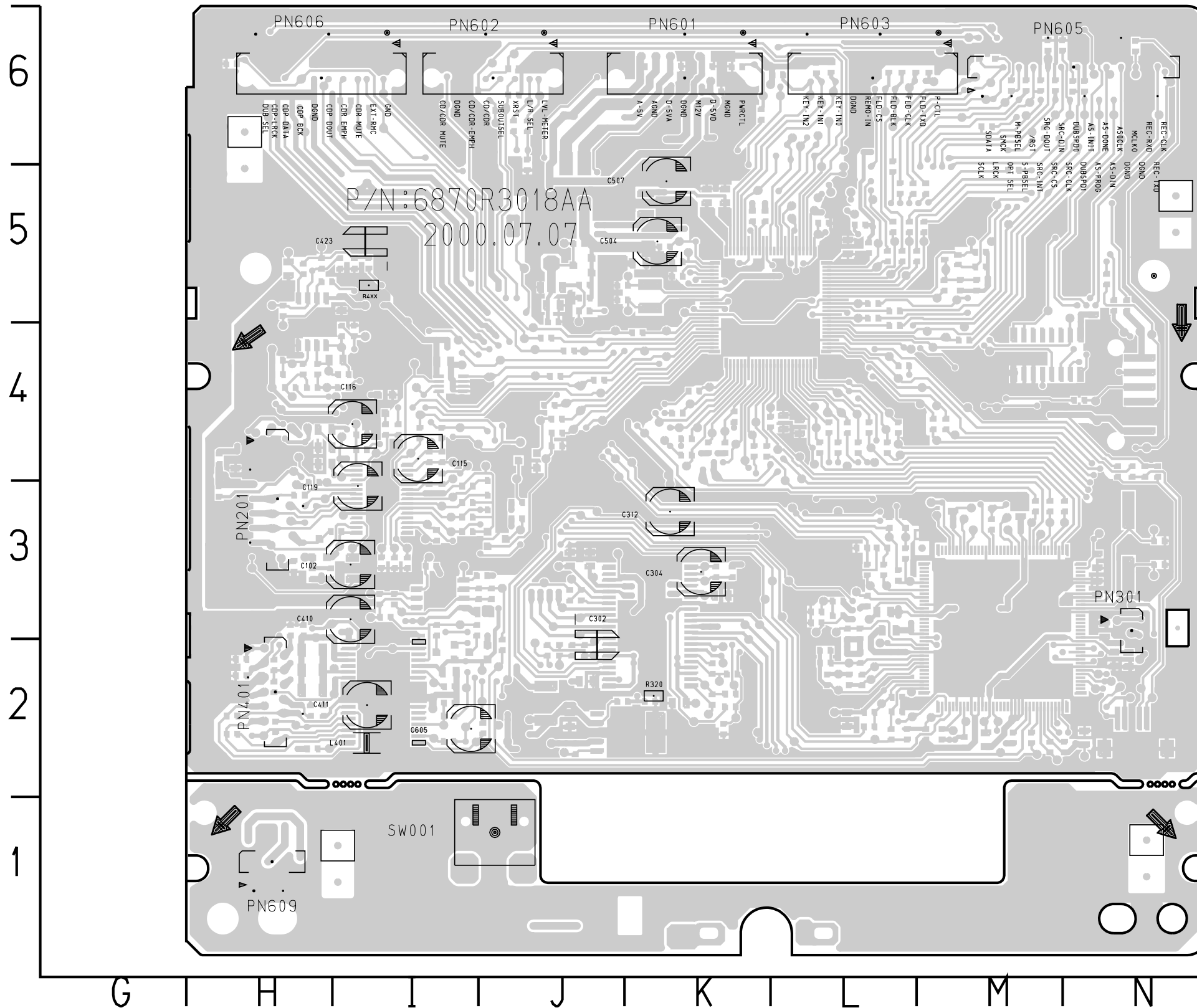
RUN : 2000.10.28

S	AL	LOCA. NO.	PART NO.(LG)	A	DESCRIPTION	SPECIFICATION
		R829	ORD0182F608	O	RESISTOR,FIXED CARBON FILM	18 1/6W 5 TA26
		R830	ORD0182F608	O	RESISTOR,FIXED CARBON FILM	18 1/6W 5 TA26
		R831	ORD0332F608	O	RESISTOR,FIXED CARBON FILM	33 1/6W 5 TA26
		R832	ORD0822F608	O	RESISTOR,FIXED CARBON FILM	82 1/6W 5 TA26
		R833	ORD1000F608	O	RESISTOR,FIXED CARBON FILM	100 1/6W 5 TA26
		R900	ORD1504H632	O	RESISTOR,FIXED CARBON FILM	1.5M OHM 1/2 W 5% MF10
		R901	614-007A	O	RESISTOR	2.7/2W CEMENT SMPS V
		R902	ORS1003K619	O	RESISTOR,FIX METAL FILM OXIDE	100K OHM 2 W 5% TR
		R903	ORD0271F608	O	RESISTOR,FIXED CARBON FILM	2.7 1/6W 5 TA26
		R904	ORS5602K619	O	RESISTOR,FIX METAL FILM OXIDE	56KOHM 2 W 5% TR
		R905	ORD8202F608	O	RESISTOR,FIXED CARBON FILM	82K 1/6W 5 TA26
		R911	ORS0350K619	O	RESISTOR,FIX METAL FILM OXIDE	0.35 OHM 2 W 5% TR
		R912	ORD0391F608	O	RESISTOR,FIXED CARBON FILM	3.9 1/6W 5 TA26
		R919	ORD4701F608	O	RESISTOR,FIXED CARBON FILM	4.7K 1/6W 5 TA26
		R920	ORD4702F608	O	RESISTOR,FIXED CARBON FILM	47K 1/6W 5 TA26
		R921	ORD1201F608	O	RESISTOR,FIXED CARBON FILM	1.2K 1/6W 5 TA26
		R922	ORS1200J619	O	RESISTOR,FIX METAL FILM OXIDE	120 1W 5% TR
		R923	ORD4701F608	O	RESISTOR,FIXED CARBON FILM	4.7K 1/6W 5 TA26
		R924	ORD3300F608	O	RESISTOR,FIXED CARBON FILM	330 1/6W 5 TA26
		R925	ORD2201F608	O	RESISTOR,FIXED CARBON FILM	2.2K 1/6W 5 TA26
		R926	ORD1001F608	O	RESISTOR,FIXED CARBON FILM	1.0K 1/6W 5 TA26
		R927	ORN3601E408	O	RESISTOR,FIXED METAL FILM	3.6K OHM 1/8 W 1% TA26
		R928	ORN3301F408	O	RESISTOR,FIX METAL FILM	3.3K 1/6W 1 TA26
		R929	ORD4702F608	O	RESISTOR,FIXED CARBON FILM	47K 1/6W 5 TA26
		R930	ORD4701F608	O	RESISTOR,FIXED CARBON FILM	4.7K 1/6W 5 TA26
		R931	ORS1200J619	O	RESISTOR,FIX METAL FILM OXIDE	120 1W 5% TR
		R933	ORD1201F608	O	RESISTOR,FIXED CARBON FILM	1.2K 1/6W 5 TA26
		R941	ORD1002F608	O	RESISTOR,FIXED CARBON FILM	10K 1/6W 5 TA26
		R942	ORD1002F608	O	RESISTOR,FIXED CARBON FILM	10K 1/6W 5 TA26
		R943	ORD3301F608	O	RESISTOR,FIXED CARBON FILM	3.3K 1/6W 5 TA26
		RA301	ORR2200Q62A	O	RESISTOR,ARRAY	220 OHM 1/16 W 3216 5% R/TP 8T
		RA302	ORR2200Q62A	O	RESISTOR,ARRAY	220 OHM 1/16 W 3216 5% R/TP 8T
		RA303	ORR2200Q62A	O	RESISTOR,ARRAY	220 OHM 1/16 W 3216 5% R/TP 8T
		RA304	ORR2200Q62A	O	RESISTOR,ARRAY	220 OHM 1/16 W 3216 5% R/TP 8T
		RA305	ORR2200Q62A	O	RESISTOR,ARRAY	220 OHM 1/16 W 3216 5% R/TP 8T
		RA306	ORR2200Q62A	O	RESISTOR,ARRAY	220 OHM 1/16 W 3216 5% R/TP 8T
		RA701	ORR2200Q62A	O	RESISTOR,ARRAY	220 OHM 1/16 W 3216 5% R/TP 8T
		RA702	ORR2200Q62A	O	RESISTOR,ARRAY	220 OHM 1/16 W 3216 5% R/TP 8T
<b>SWITCH</b>						
		SW001	6600HXF102A	O	SWITCH,DETECTOR	MPU20160MLB0 MIC NON DC5V 0.7M
		SW303	6600HXF101A	O	SWITCH,DETECTOR	SPVF21001A ALPS . 5V 1MAV 4.65
		SW801	558T026A	O	SWITCH SPECIAL	EVQ-214 04M MATSUSHITA NON 0V
		SW802	558T026A	O	SWITCH SPECIAL	EVQ-214 04M MATSUSHITA NON 0V
		SW803	558T026A	O	SWITCH SPECIAL	EVQ-214 04M MATSUSHITA NON 0V
		SW804	558T026A	O	SWITCH SPECIAL	EVQ-214 04M MATSUSHITA NON 0V
		SW805	558T026A	O	SWITCH SPECIAL	EVQ-214 04M MATSUSHITA NON 0V
		SW806	558T026A	O	SWITCH SPECIAL	EVQ-214 04M MATSUSHITA NON 0V
		SW807	558T026A	O	SWITCH SPECIAL	EVQ-214 04M MATSUSHITA NON 0V
		SW808	558T026A	O	SWITCH SPECIAL	EVQ-214 04M MATSUSHITA NON 0V
		SW809	558T026A	O	SWITCH SPECIAL	EVQ-214 04M MATSUSHITA NON 0V
		SW810	558T026A	O	SWITCH SPECIAL	EVQ-214 04M MATSUSHITA NON 0V
		SW811	558T026A	O	SWITCH SPECIAL	EVQ-214 04M MATSUSHITA NON 0V
		SW812	558T026A	O	SWITCH SPECIAL	EVQ-214 04M MATSUSHITA NON 0V
		SW813	558T026A	O	SWITCH SPECIAL	EVQ-214 04M MATSUSHITA NON 0V
		SW814	558T026A	O	SWITCH SPECIAL	EVQ-214 04M MATSUSHITA NON 0V
		SW815	558T026A	O	SWITCH SPECIAL	EVQ-214 04M MATSUSHITA NON 0V
		SW816	558T026A	O	SWITCH SPECIAL	EVQ-214 04M MATSUSHITA NON 0V
		SW817	558T026A	O	SWITCH SPECIAL	EVQ-214 04M MATSUSHITA NON 0V
		SW818	558T026A	O	SWITCH SPECIAL	EVQ-214 04M MATSUSHITA NON 0V
		SW819	558T026A	O	SWITCH SPECIAL	EVQ-214 04M MATSUSHITA NON 0V
		SW820	558T026A	O	SWITCH SPECIAL	EVQ-214 04M MATSUSHITA NON 0V
		SW821	558T026A	O	SWITCH SPECIAL	EVQ-214 04M MATSUSHITA NON 0V
		SW822	558T026A	O	SWITCH SPECIAL	EVQ-214 04M MATSUSHITA NON 0V
		SW901	6600R-PV01A	O	SWITCH,PUSH	SDDL1PASL021 POSTEC UL/CSA 250

RUN : 2000.10.28

S	AL	LOCA. NO.	PART NO.(LG)	A	DESCRIPTION	SPECIFICATION
<b>TRANSISTOR,COIL,RESONATOR,CRYSTAL,INDUCTOR</b>						
		T101	6140R-C001C	O	COIL,CHOKE	75D-413 KWANGSUNG 100UH BULK
		T102	6140R-C001C	O	COIL,CHOKE	75D-413 KWANGSUNG 100UH BULK
		T901	642-023Z	O	TRANSFORMER,SMPS	CSE-023Z SUJEONG WIDE EER-2828
		VR801	6110R-RK01A	O	VOLUME,ROTARY	RK09L12B0-500BX2 J-ALPS D=9 H
		VR802	6110R-RK01B	O	VOLUME,ROTARY	RK09L12B0-20KBX2 J-ALPS D=9 H
		W917	0LR0102K035	O	INDUCTOR RADIAL LEAD	10M K 6X6 L5 TP
		X201	6202R-BM01A	O	CRYSTAL,SMD	HC-49/SM5H KONY CHIP 33.8688MH
		X301	6202R-BM01A	O	CRYSTAL,SMD	HC-49/SM5H KONY CHIP 33.8688MH
		X501	6212HA0202A	O	RESONATOR	CSACV20.00MXJ040-TC20 MURATA 2
		X701	6212HA0202A	O	RESONATOR	CSACV20.00MXJ040-TC20 MURATA 2
<b>ZENER DIODE</b>						
		ZD801	0DZ510009EB	O	DIODE,ZENER	MTZ5.1B 0.5W TP ROHM-K
		ZD802	0DZ510009EB	O	DIODE,ZENER	MTZ5.1B 0.5W TP ROHM-K
		ZD901	0DZ510009EC	O	DIODE,ZENER	MTZJ5.1B,0.5W,TP TP ROHM

• CD-PLAY TOP SECTION



LOCATION GUIDE

C102	I3
C115	I4
C116	I4
C119	I3
C302	J2
C304	K3
C312	K3
C410	I3
C411	I2
C423	I5
C504	K5
C507	K5
C605	I2
L401	I2
PN201	H3
PN301	N3
PN401	H2
PN601	K6
PN602	J6
PN603	L6
PN605	N6
PN606	H6
PN609	H1
R320	K2
R4XX	I5
SW001	J1
TP54	N6

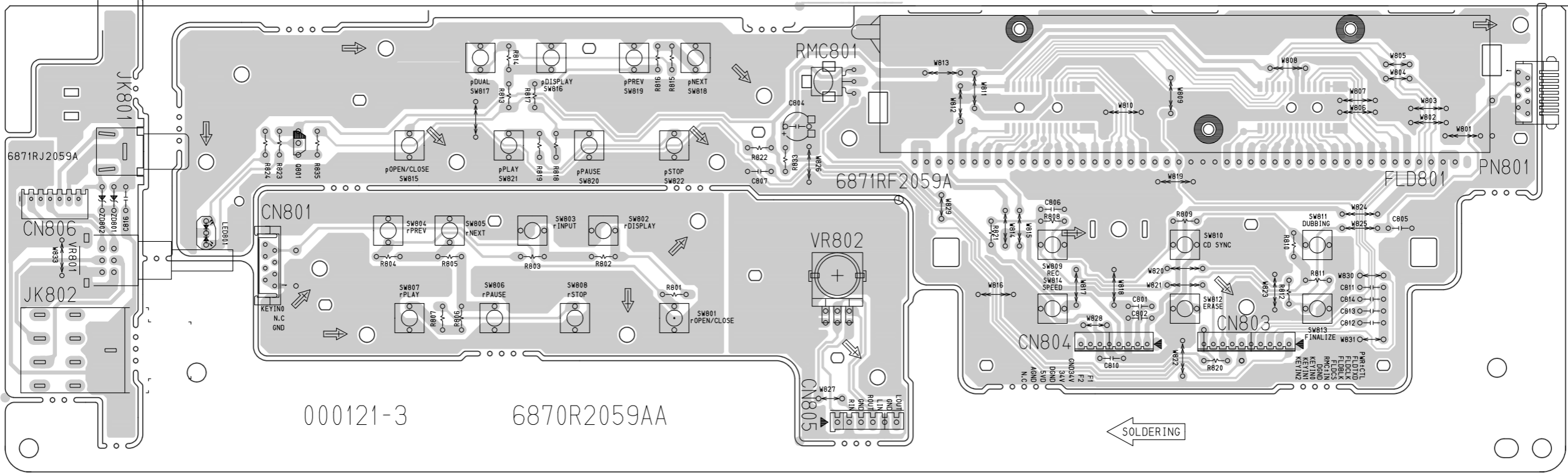




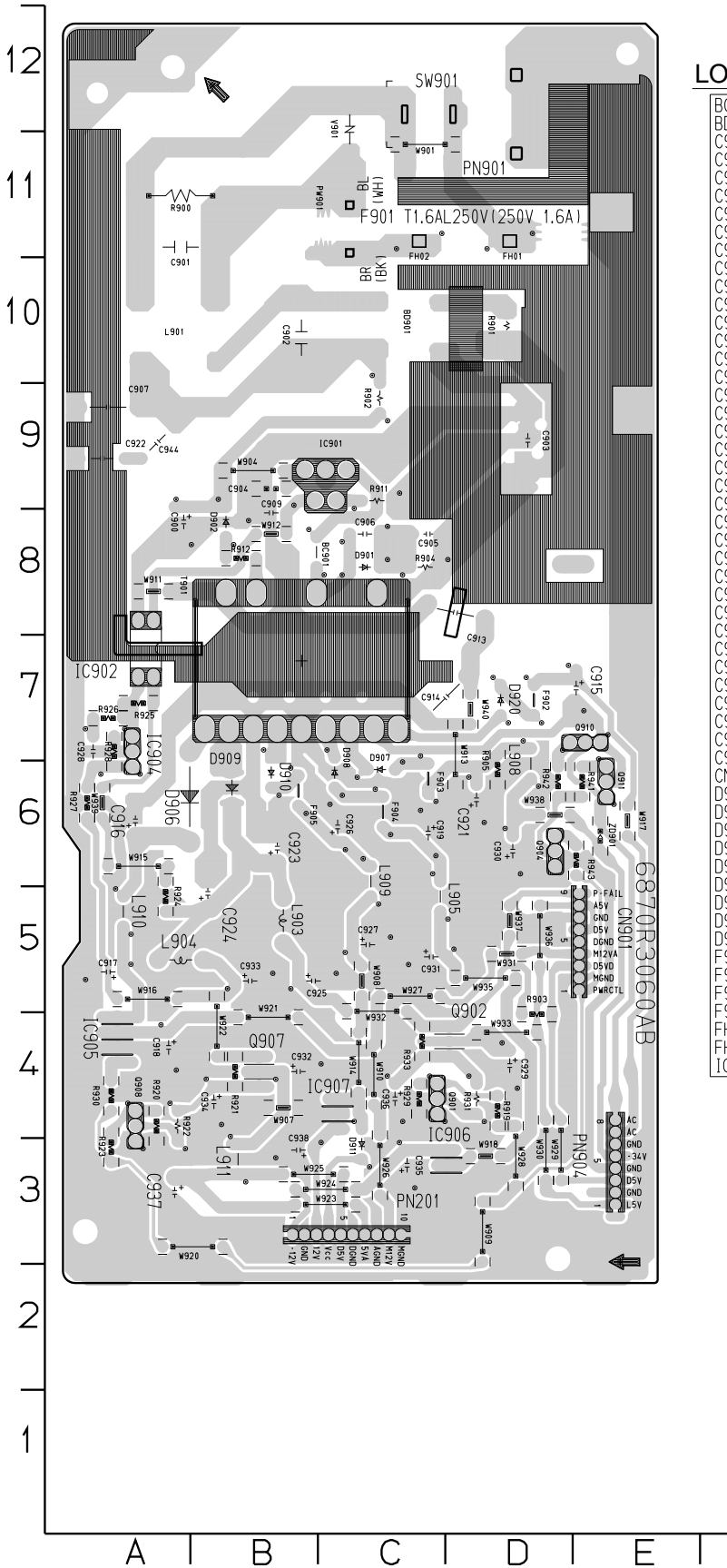








• POWER SECTION



LOCATION GUIDE

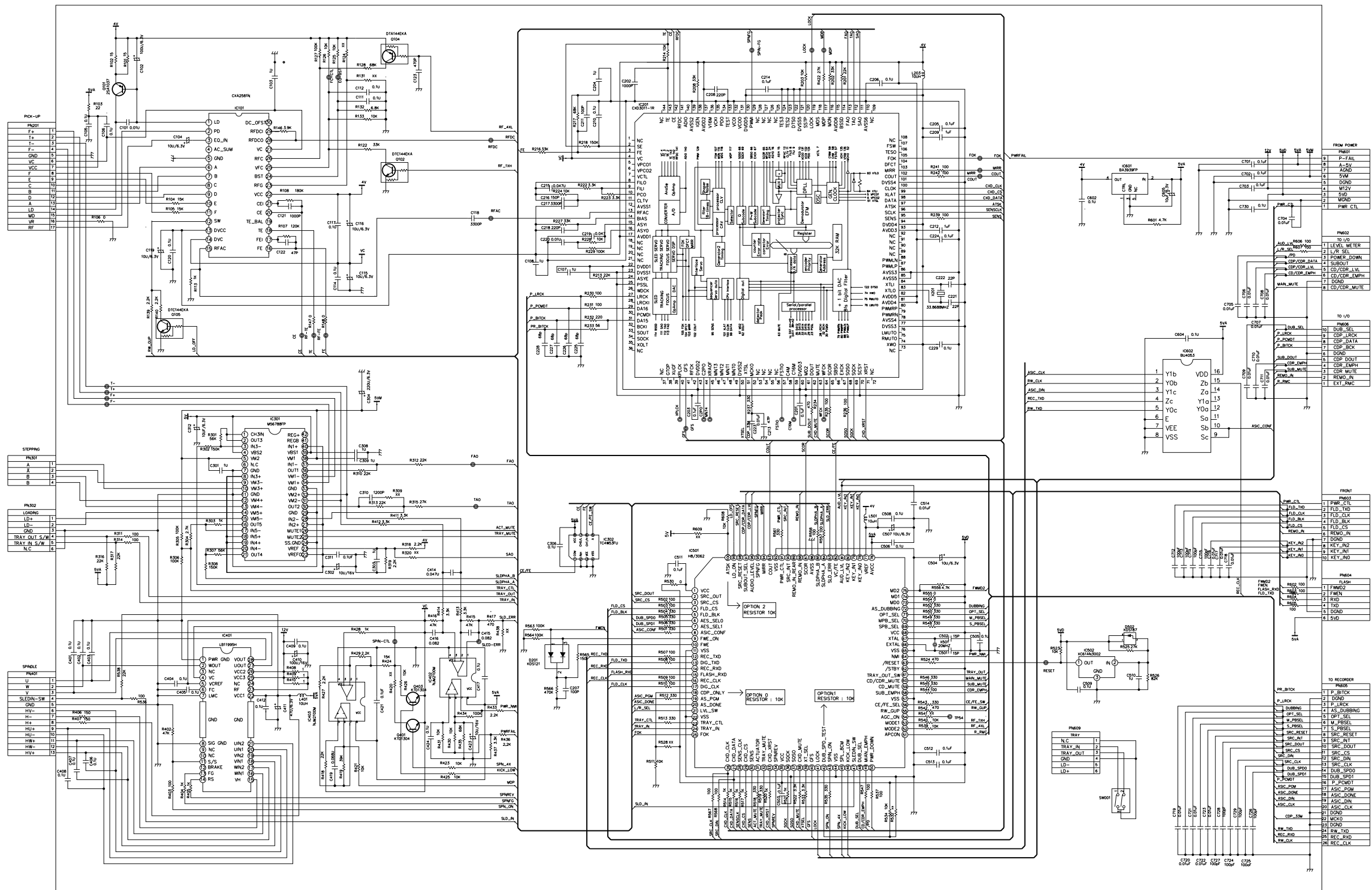
BC901	B8	IC902	A7
BD901	C10	IC904	A7
C900	A8	IC905	A4
C901	A11	IC906	D3
C902	B10	IC907	C4
C903	D9	L901	A10
C904	B9	L903	B5
C905	C8	L904	A5
C906	C8	L905	C5
C907	A9	L908	D6
C909	B8	L909	C6
C913	D8	L910	A5
C914	D7	L911	B3
C915	E7	PN201	C3
C916	A6	PN901	C11
C917	A5	PN904	E4
C918	A4	PW901	C11
C919	C6	Q901	C4
C921	D6	Q902	D4
C922	A9	Q904	D6
C923	B6	Q907	B4
C924	B5	Q908	A4
C925	B5	Q910	E7
C926	C6	Q911	E6
C927	C5	R900	A11
C928	A7	R901	D10
C929	D4	R902	C9
C930	D6	R903	D4
C931	C5	R904	C8
C932	B4	R905	D6
C933	B5	R911	C9
C934	B4	R912	B8
C935	C3	R919	D4
C936	C4	R920	A4
C937	A3	R921	B4
C938	B3	R922	A4
C944	A9	R923	A3
CN901	E5	R924	A5
D901	C8	R925	A7
D902	B8	R926	A7
D906	A6	R927	A6
D907	C6	R928	A7
D908	C6	R929	C4
D909	B6	R930	A4
D910	B6	R931	D4
D911	C3	R933	C4
D920	D7	R941	E6
F902	D7	R942	D6
F903	C6	R943	E6
F904	C6	SW901	D12
F905	B6	T901	B7
FH01	D11	V901	C12
FH02	C11	ZD901	E6
IC901	C9		

# SCHEMATIC DIAGRAMS

CDR20

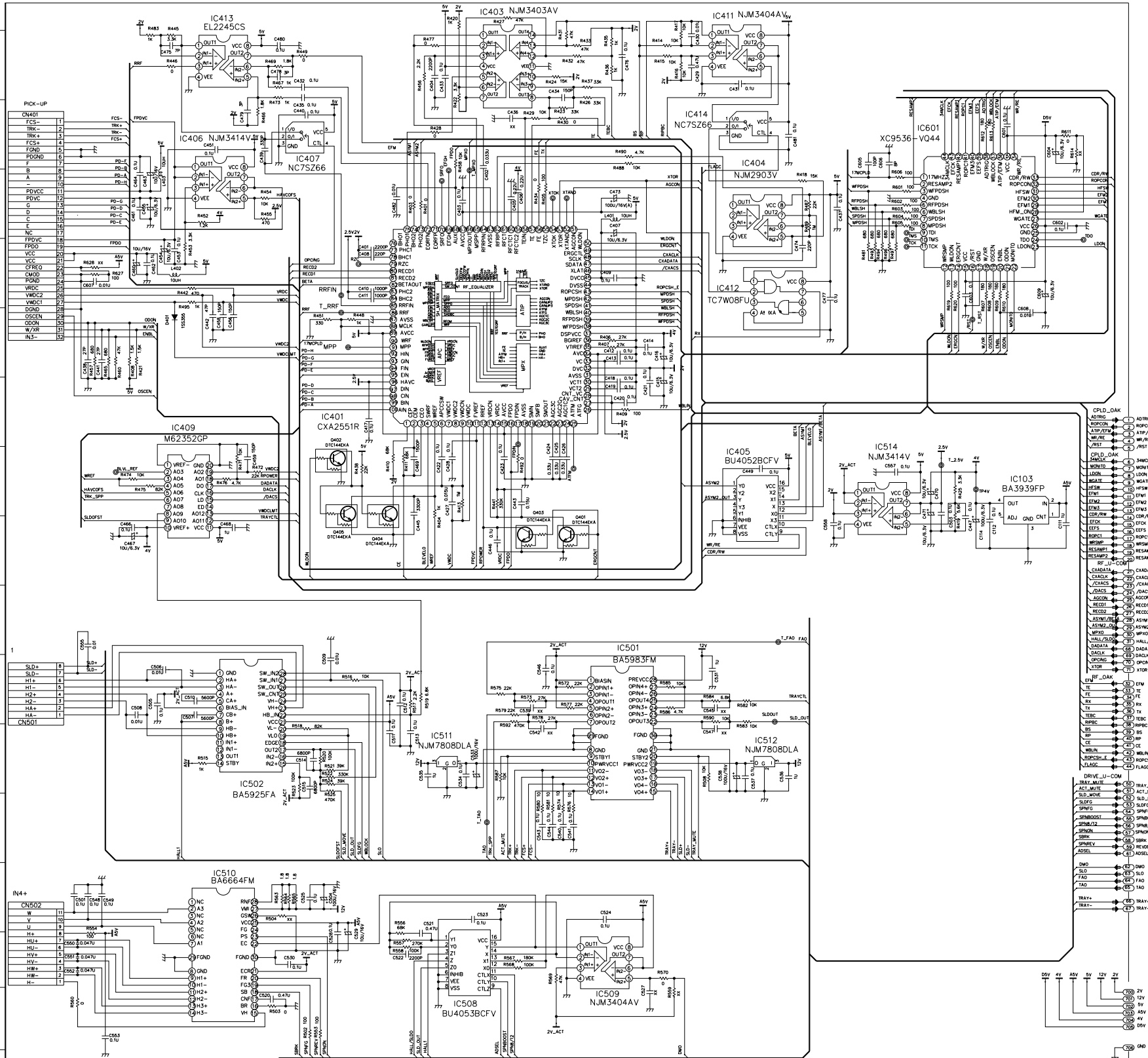
harman/kardon

## • CD-PLAY SECTION







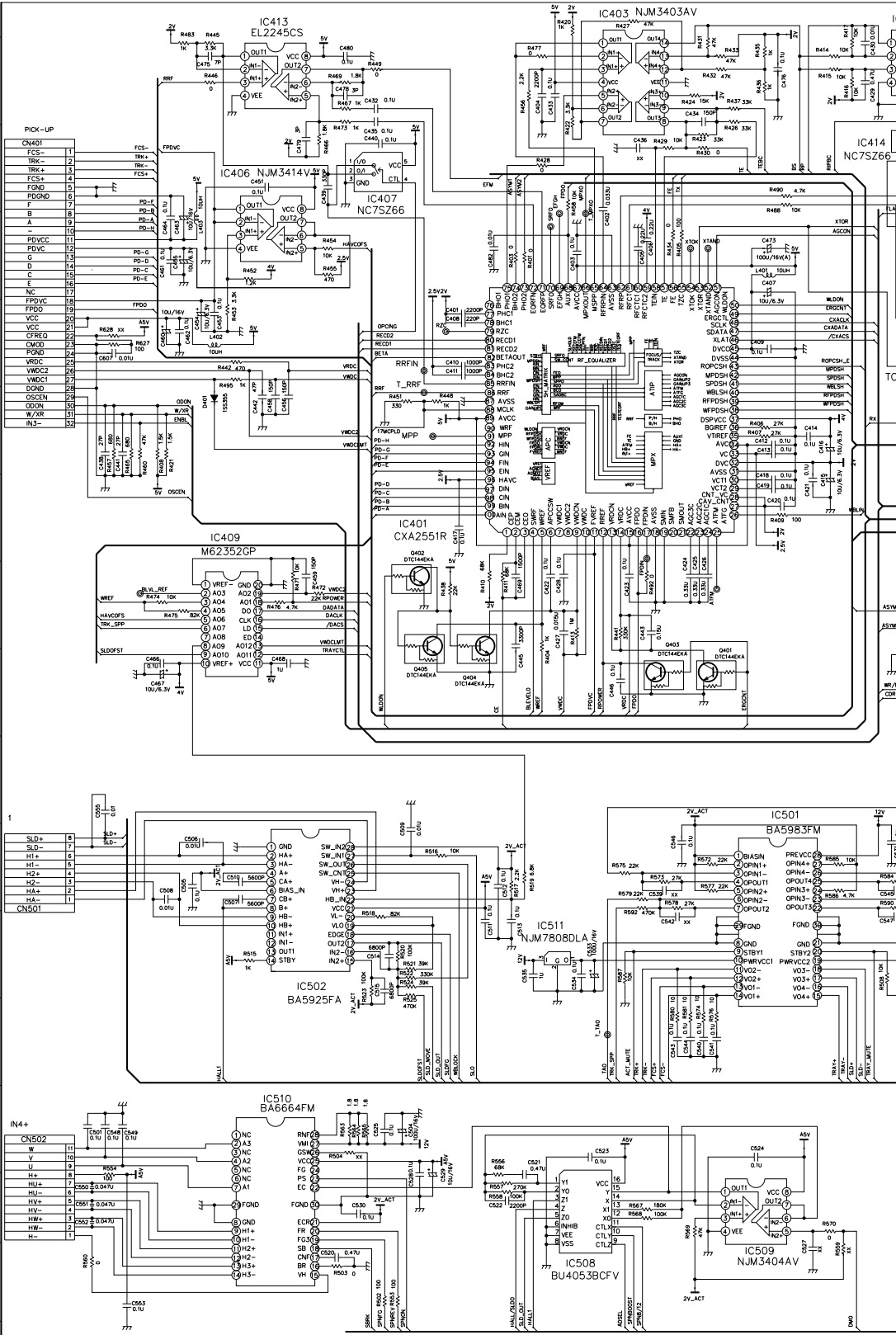


DIMENSIONAL TOLERANCE	
UNLESS OTHERWISE SPECIFIED	0.25 ± 0.10
ANGULAR	0
UNLESS OTHERWISE SPECIFIED	

# CD-RECORD SECTION-1

## CDR20

harman/kardon



PICK-UP

CM401	FCS-	1
	TRK-	2
	TRK+	3
	FCS+	4
	FGND	5
	PDND	6
	B	7
	A	8
	PSL-	9
	PSL+	10
	PDVCC	11
	PDVC	12
	PD-	13
	D	14
	PD-	15
	E	16
	PD-	17
	NC	18
	FFDVC	19
	FFD0	20
	VCC	21
	VCC	22
	CFREQ	23
	CMOD	24
	PDND	25
	VRC	26
	VMC2	27
	VMC1	28
	DDND	29
	OSDEN	30
	ODND	31
	IN3-	32

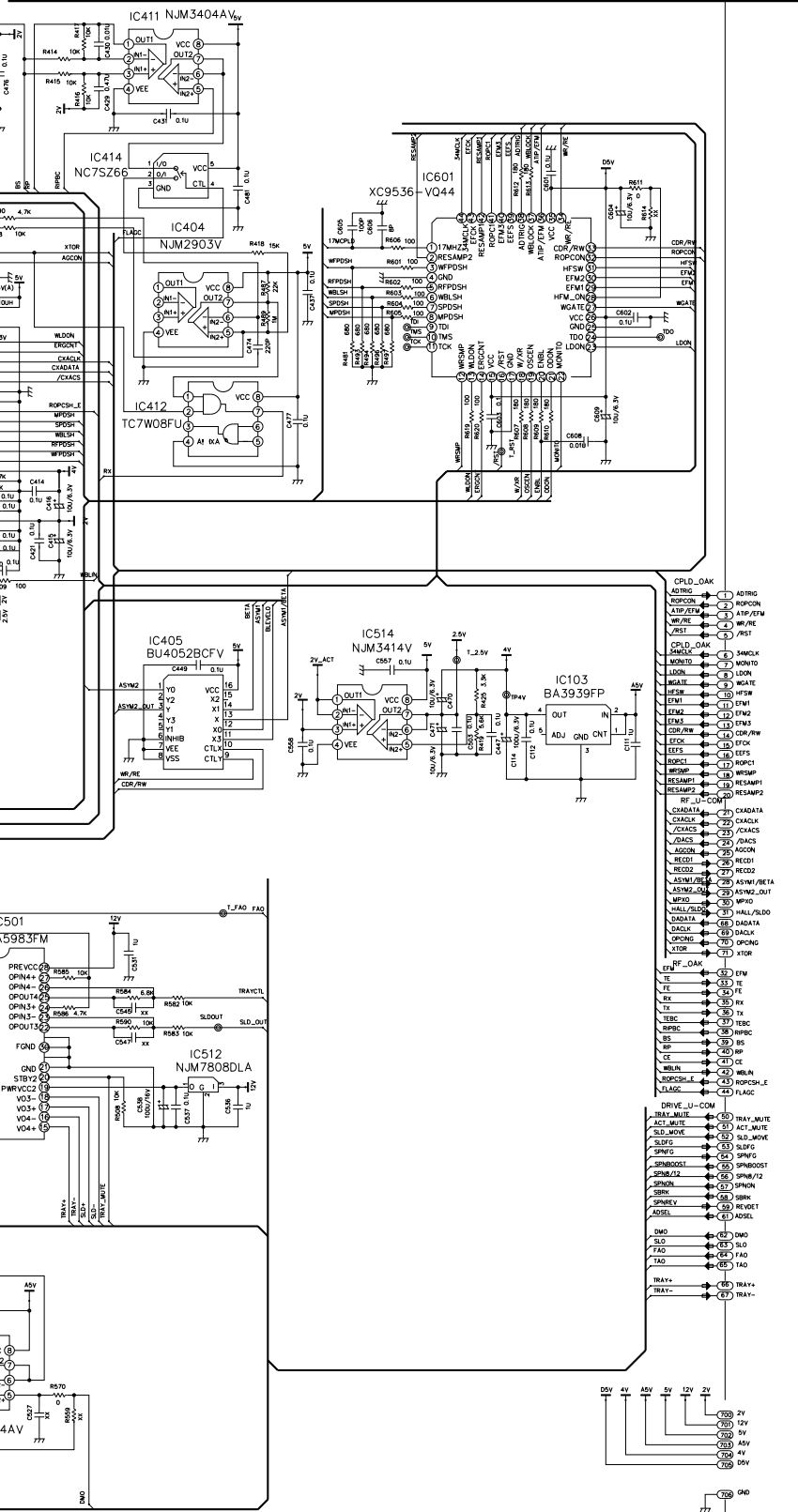
SLD+	8
SLD-	7
HI+	6
HI-	5
H2+	4
H2-	3
HA+	2
HA-	1
CS501	

IN4+

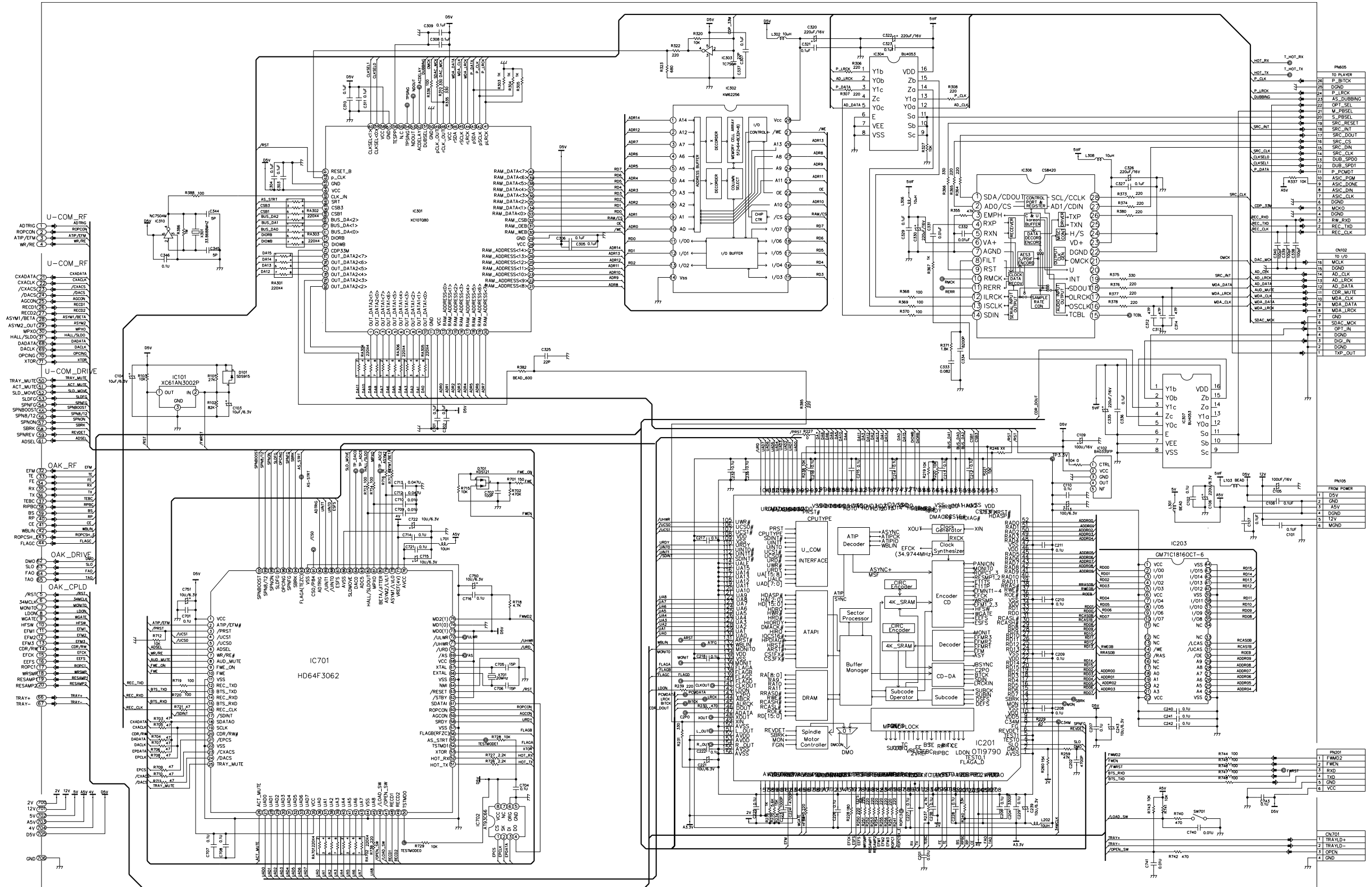
CM502	11
W	10
V	9
HA	8
U	7
HU	6
HV-	5
HV+	4
HW+	3
HW-	2
H-	1

DIMENSIONAL TOLERANCE

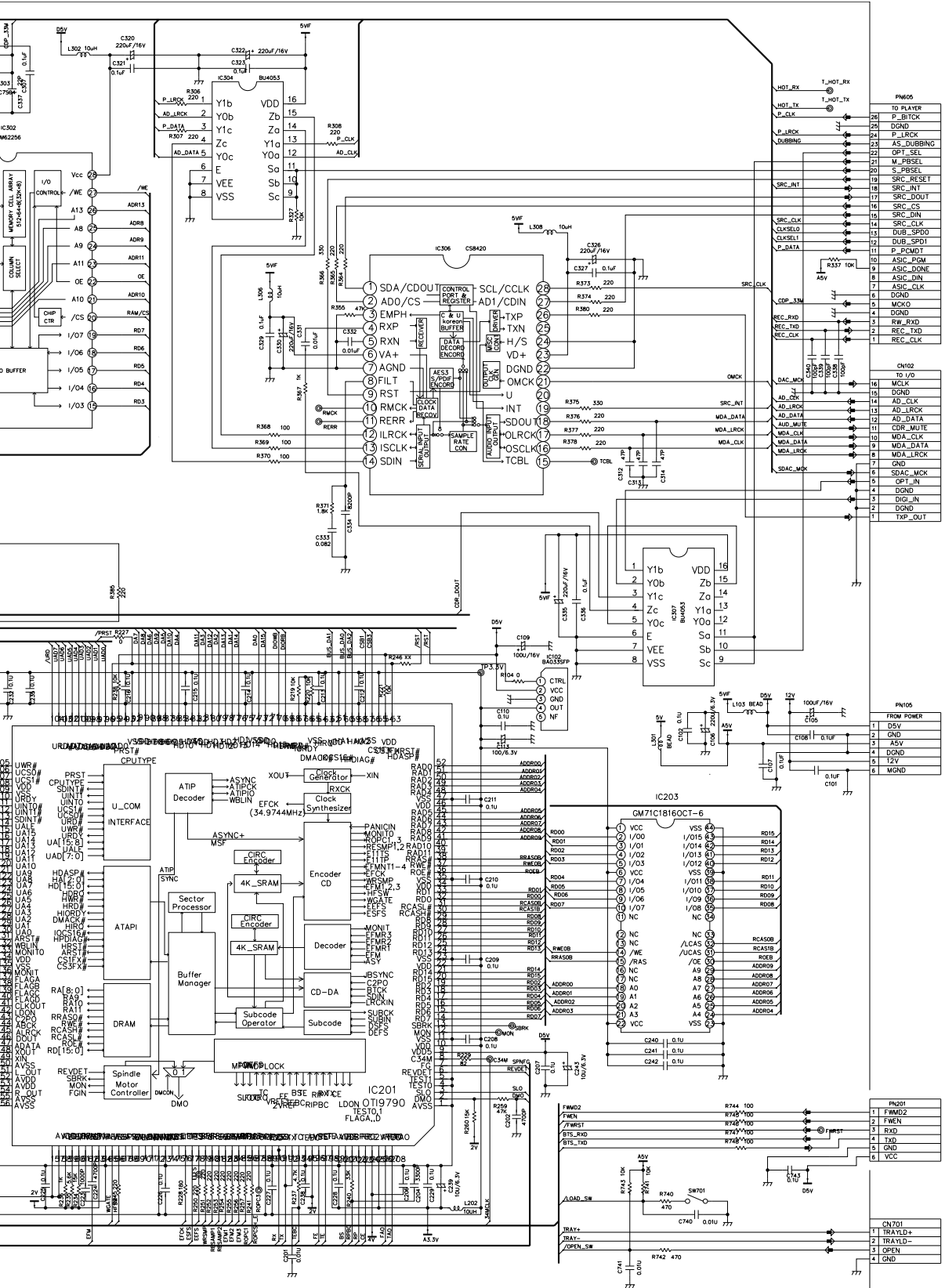
UNLESS OTHERWISE SPECIFIED	
----------------------------	--

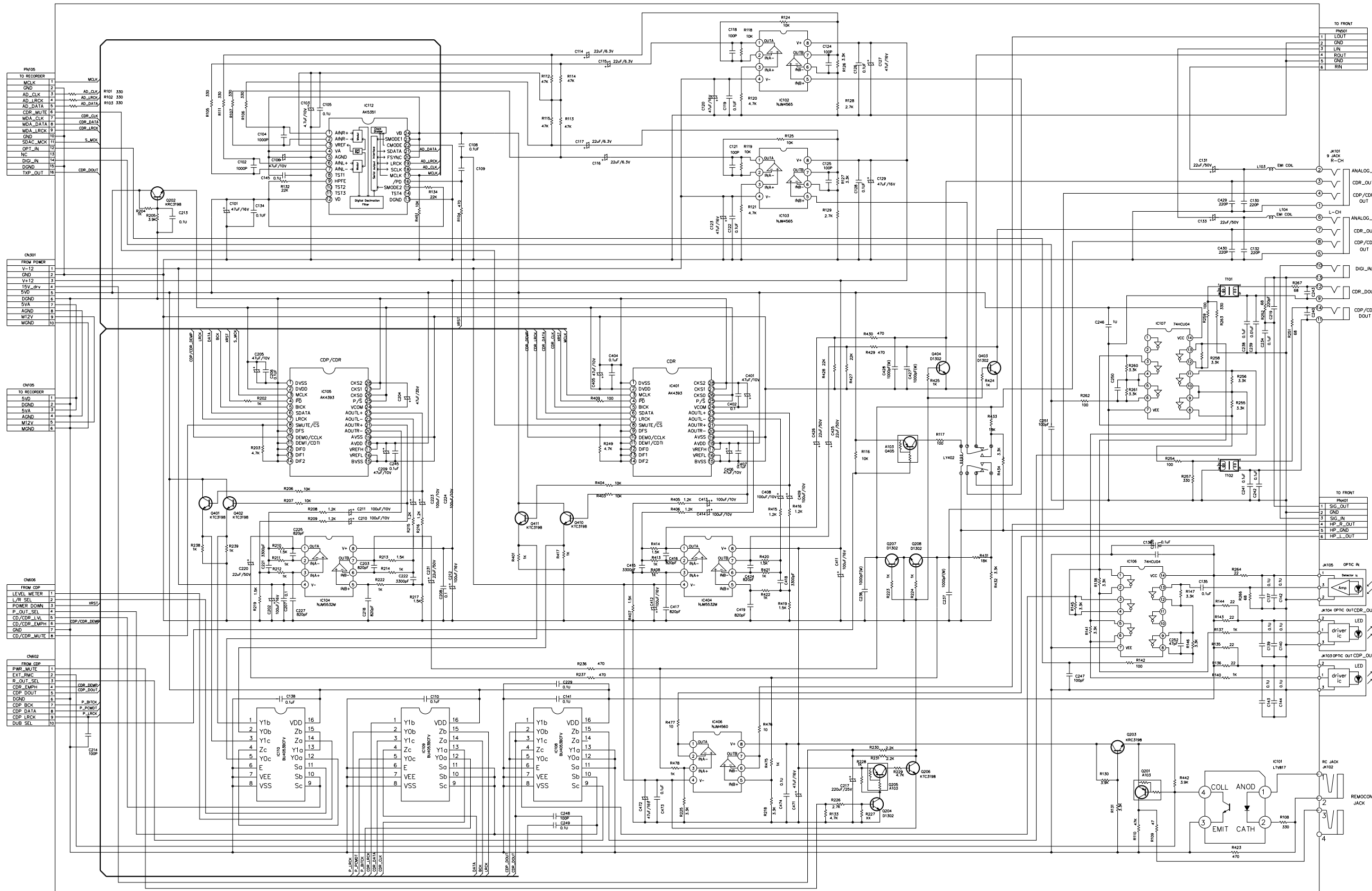












PN105 TO RECORDER

1	MCLK
2	AD_CLK
3	AD_LCK
4	AD_DATA
5	CDR_CLK
6	CDR_DATA
7	MDA_CLK
8	MDA_DATA
9	MDA_LCK
10	S_MDA
11	OPT_IN
12	NC
13	DIGI_IN
14	DGND
15	TYF_OUT
16	CDR_BOUT

CN301 FROM POWER

1	V-12
2	GND
3	V+12
4	TSV_drv
5	SVL
6	DGND
7	5VA
8	AGND
9	MTV
10	MGND

CN105 TO RECORDER

1	SVD
2	DGND
3	5VA
4	AGND
5	MTV
6	MGND

CN606 FROM CDP

1	LEVEL METER
2	L/R SEL
3	POWER DOWN
4	P_OUT_SEL
5	CDR_DOUT
6	CDR_EMPH
7	CDR_DOUT
8	CDR_MUTE

CN602 FROM CDP

1	PWR_MUTE
2	EXT_PNC
3	R_OUT_SEL
4	CDR_EMPH
5	CDR_DOUT
6	DGND
7	CDP_BCK
8	CDP_DATA
9	CDP_LCK
10	DUB_SEL

TO FRONT

1	PHOT
2	LOUT
3	GND
4	LIN
5	ROUT
6	RIN

TO FRONT

1	SIG_OUT
2	GND
3	SIG_IN
4	HP_P_OUT
5	HP_GND
6	HP_L_OUT

J105 OPTIC IN

1	Detector
2	Amp
3	LED

J104 OPTIC OUT CDR

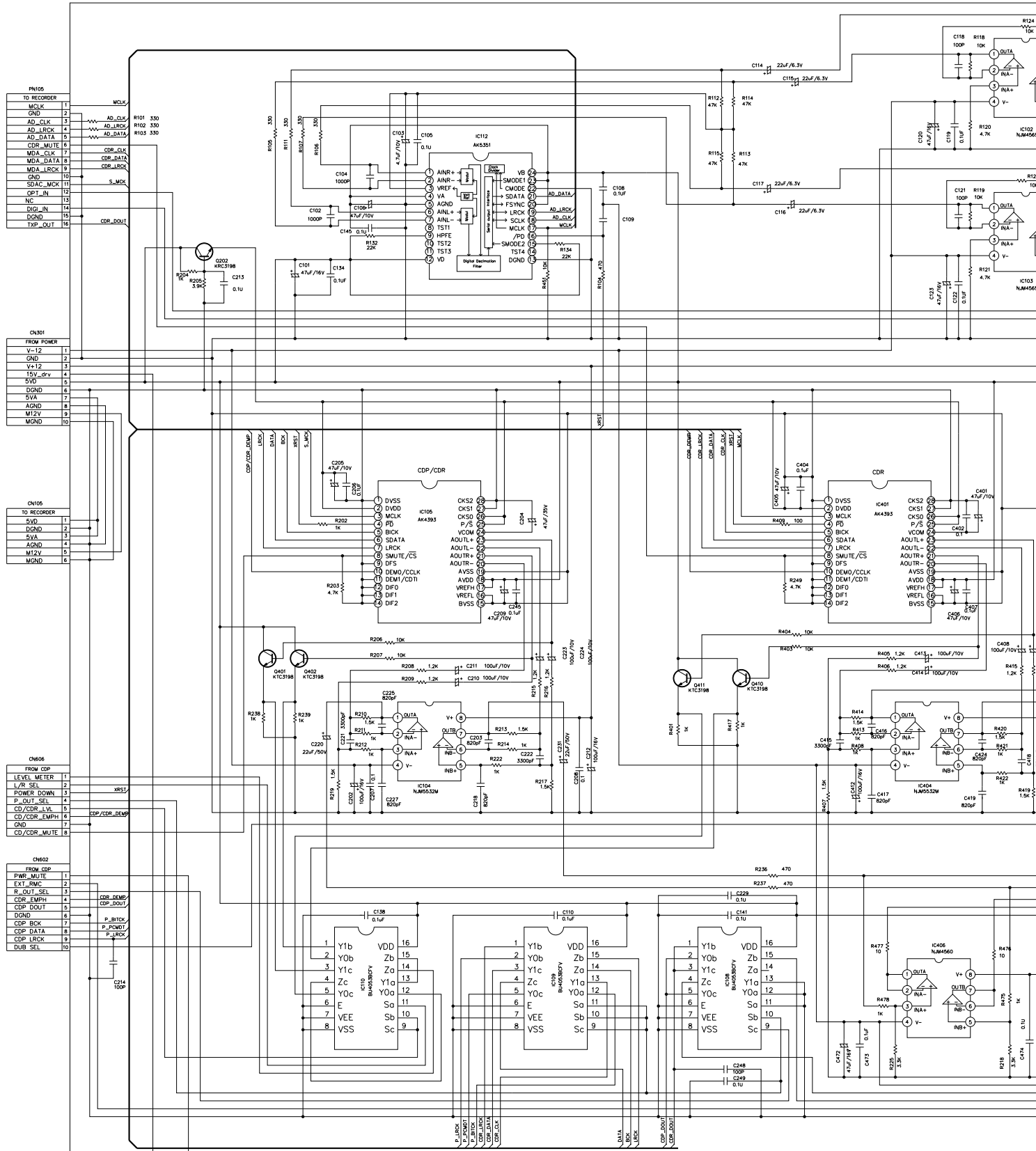
1	driver ic
2	LED

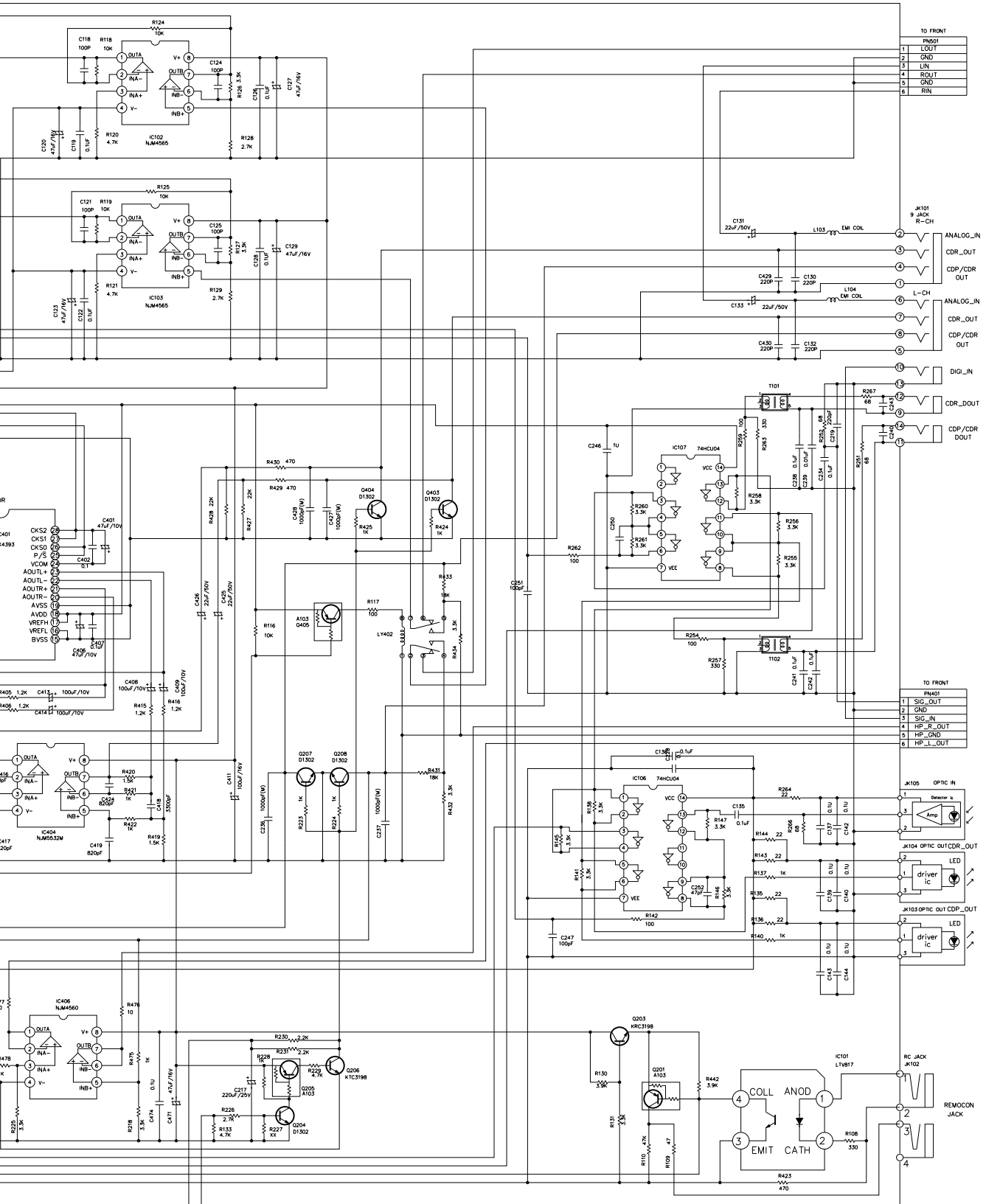
J103 OPTIC OUT CDP

1	driver ic
2	LED

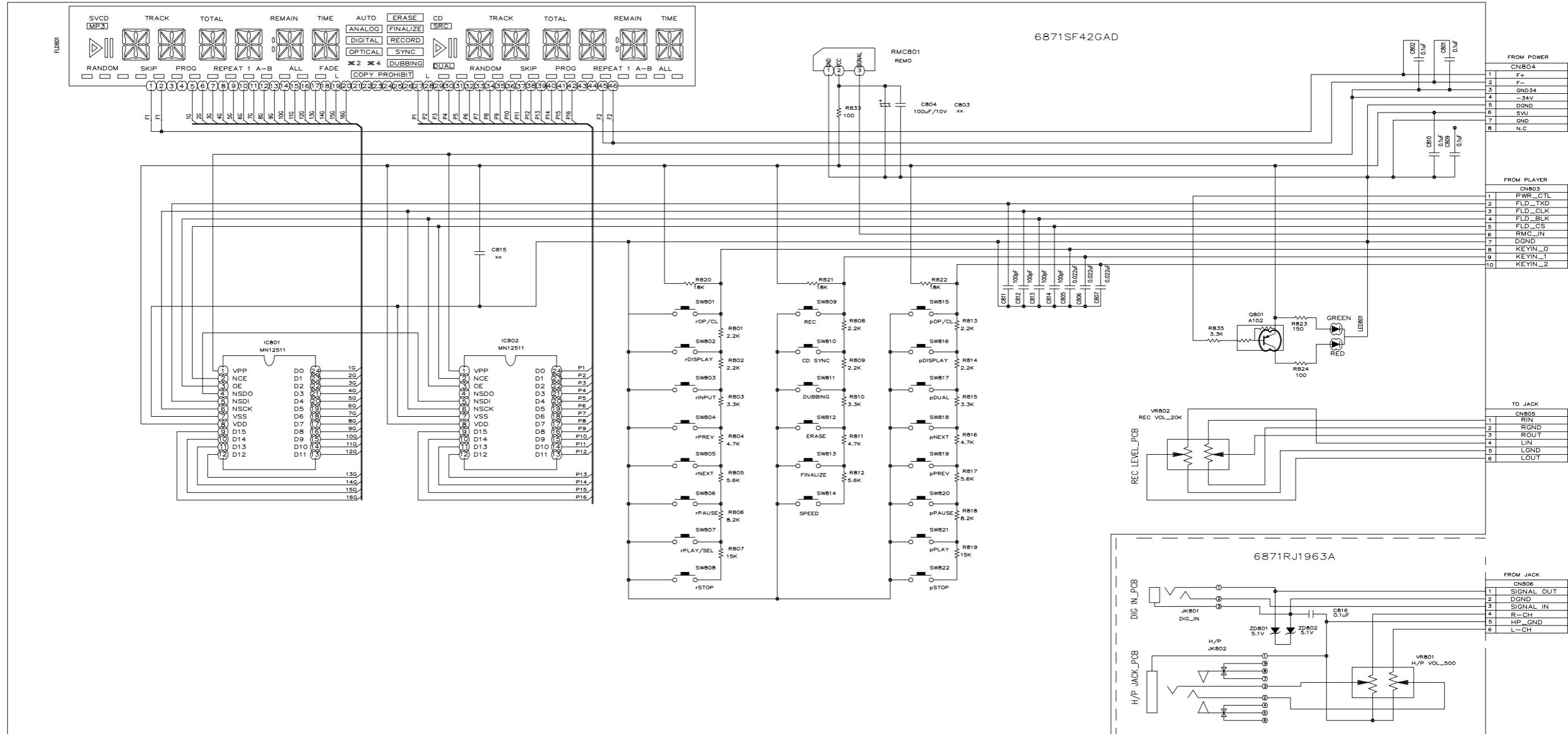
RC JACK J102

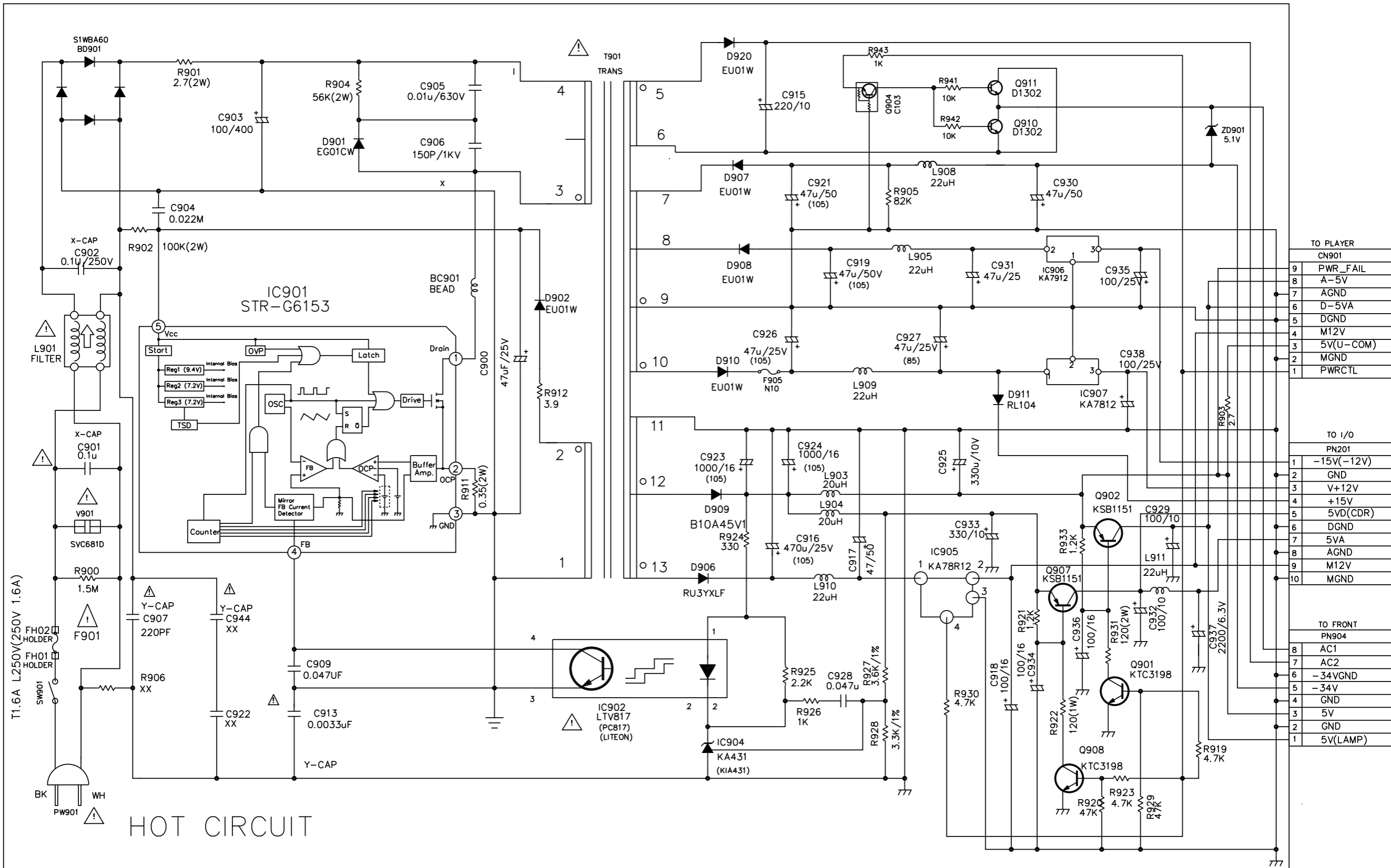
1	COLL ANOD
2	EMIT CATH
3	REMOCON JACK











TO PLAYER  
CN901

9	PWR_FAIL
8	A-5V
7	AGND
6	D-5VA
5	DGND
4	M12V
3	5V(U-COM)
2	MGND
1	PWRCTL

TO I/O  
PN201

1	-15V(-12V)
2	GND
3	V+12V
4	+15V
5	5VD(CDR)
6	DGND
7	5VA
8	AGND
9	M12V
10	MGND

TO FRONT  
PN904

8	AC1
7	AC2
6	-34VGN
5	-34V
4	GND
3	5V
2	GND
1	5V(LAMP)



# WIRING DIAGRAM

CDR20

harman/kardon

